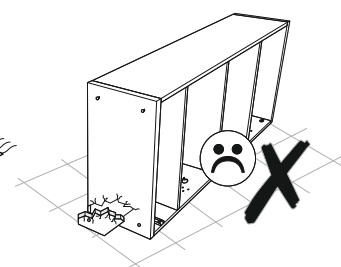
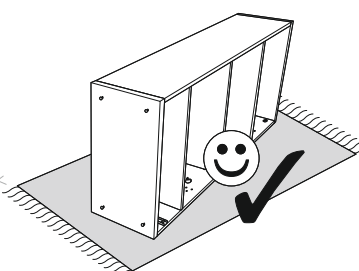
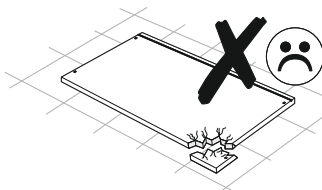
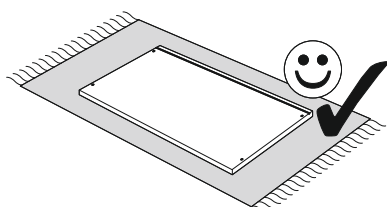
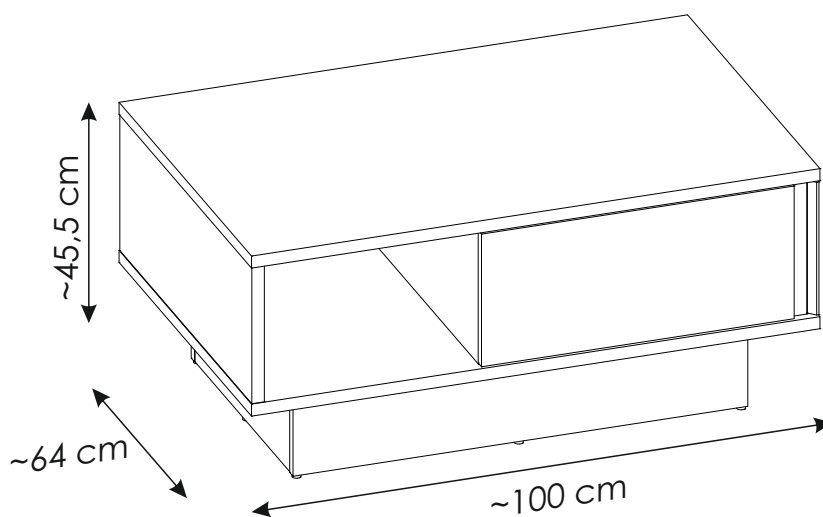
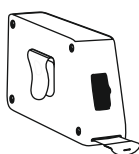
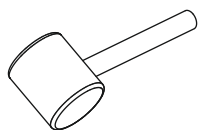
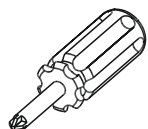
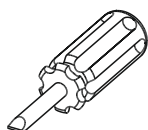
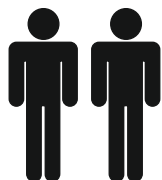
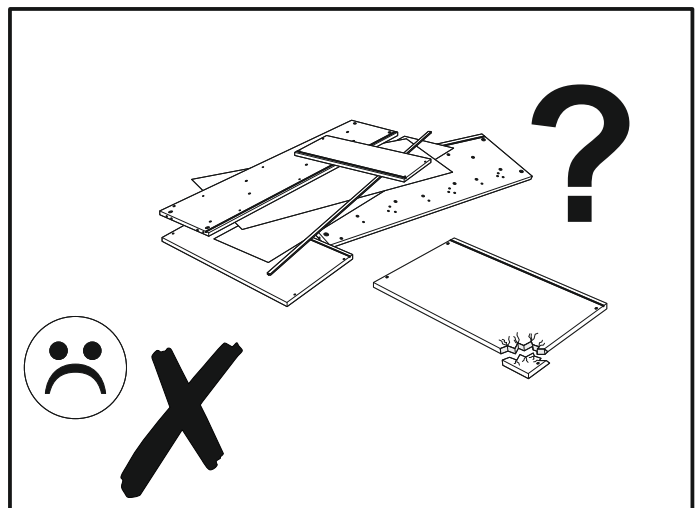
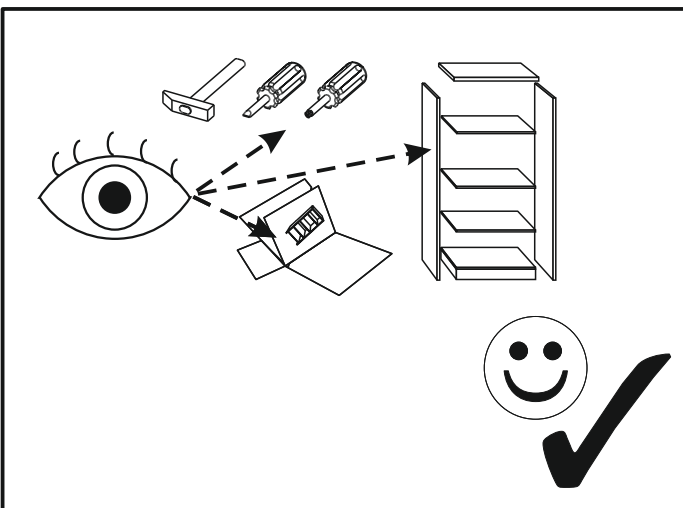
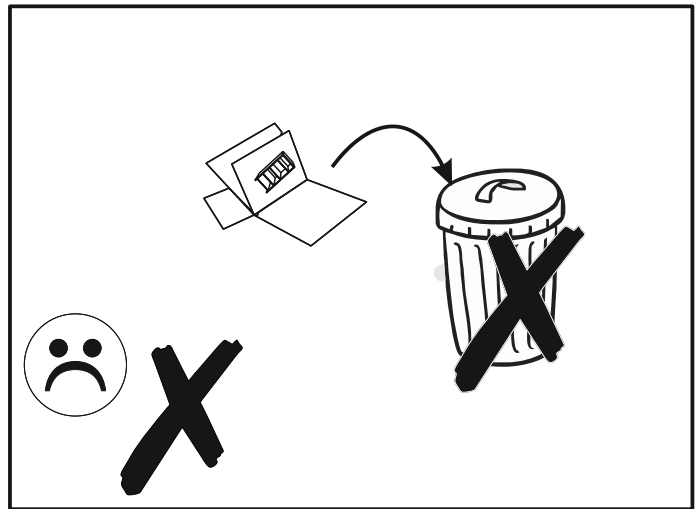
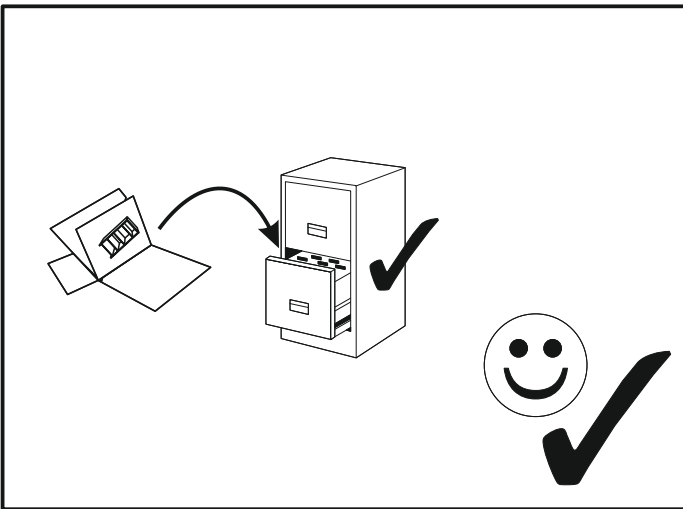
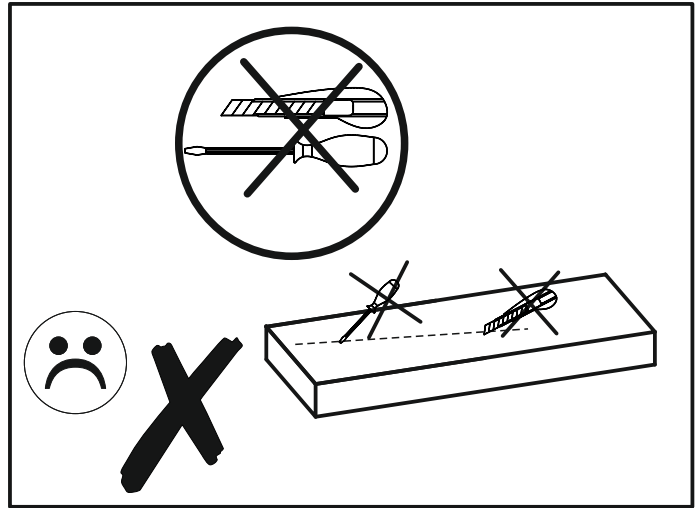
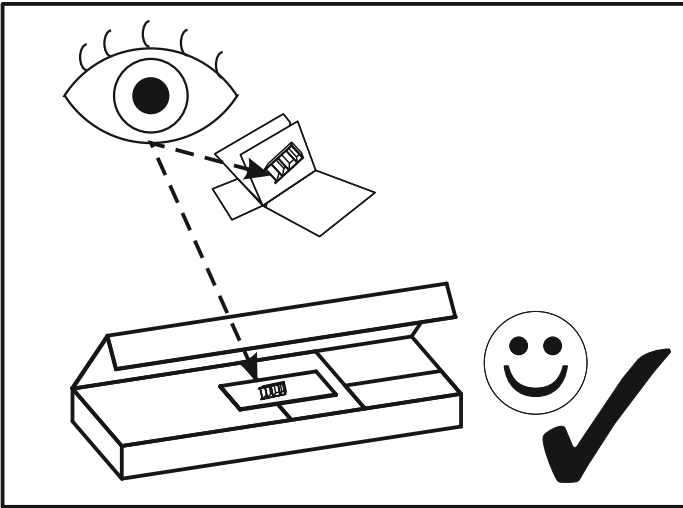


# MWTT01

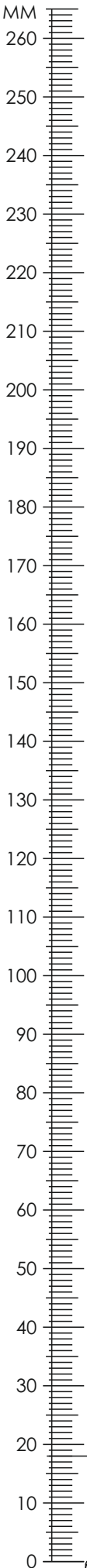


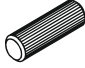


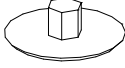

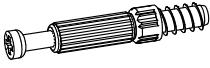


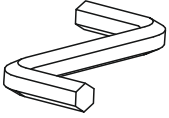



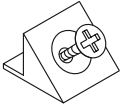
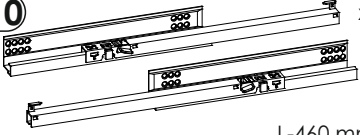
70 min



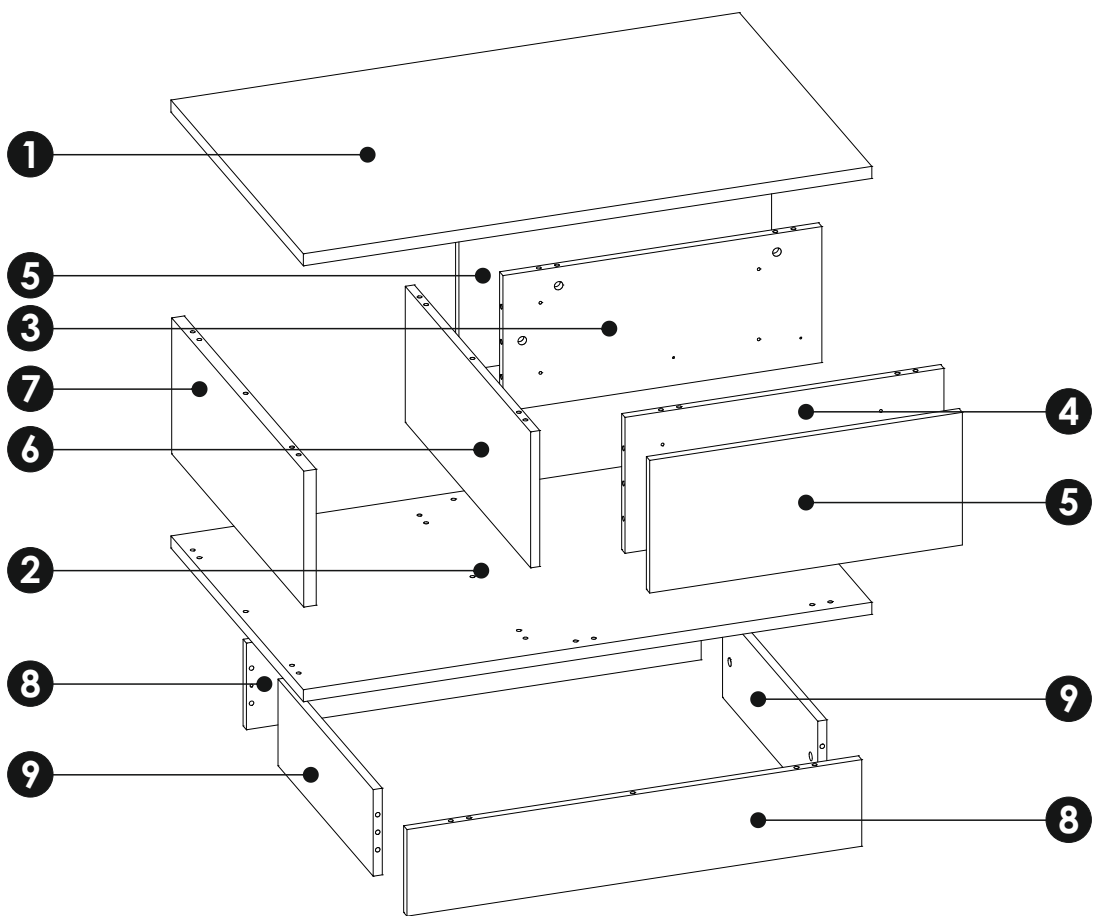
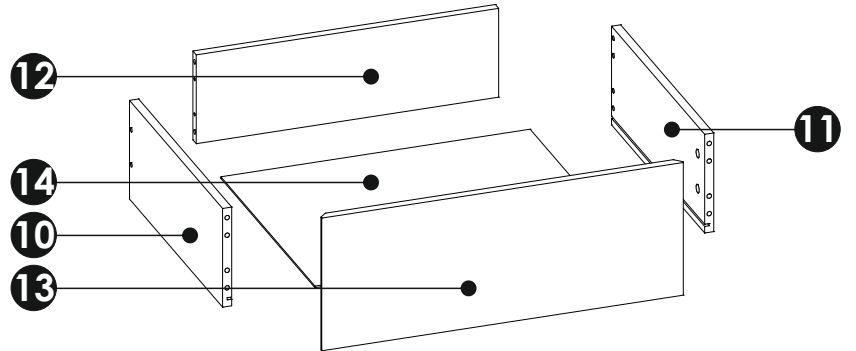
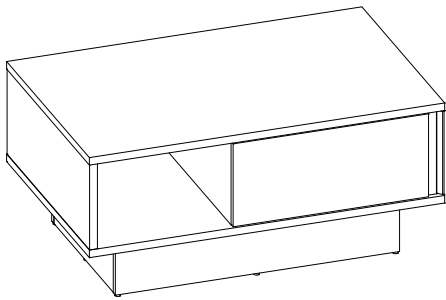


# MWTT01



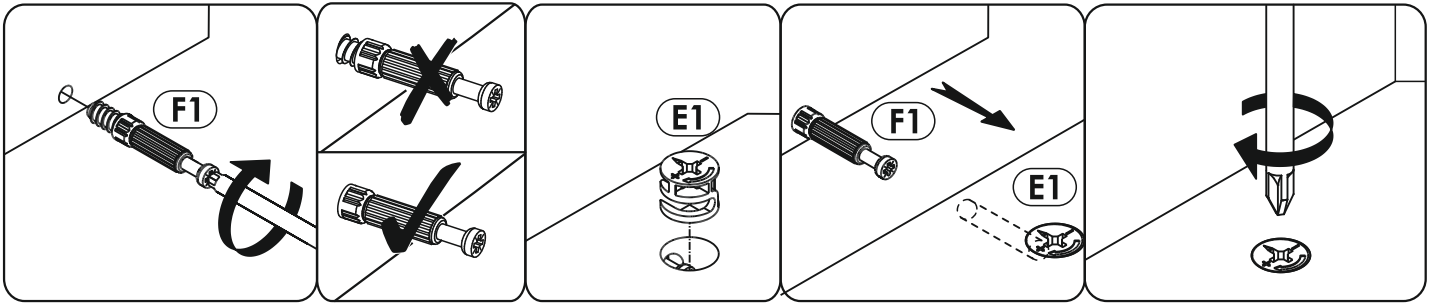
|  |   |  |
|--|---|--|
| <b>A1</b> 8 x 35 mm x40<br> | <b>A6</b> 8 x 24 mm x4<br>     | <b>C2</b> 5 x 13 mm x4<br>  |
| <b>E0</b> Ø16 x7<br>        | <b>E1</b> 15 x 12 mm x26<br>   | <b>F1</b> 6 x 34 mm x26<br> |
| <b>G1</b> 7 x 50 mm x4<br>  | <b>G2</b> 7 x 60 mm x10<br>    | <b>M</b> x1<br>             |
| <b>N1</b> 3 x 16 mm x5<br>  | <b>N13</b> 4 x 25 mm x8<br>    | <b>O2</b> x8<br>            |
| <b>R4</b> x1<br>           | <b>T10</b> x1<br><br>L-460 mm |  |

# MWTT01

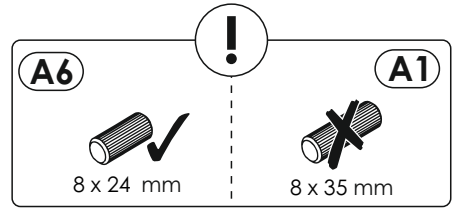
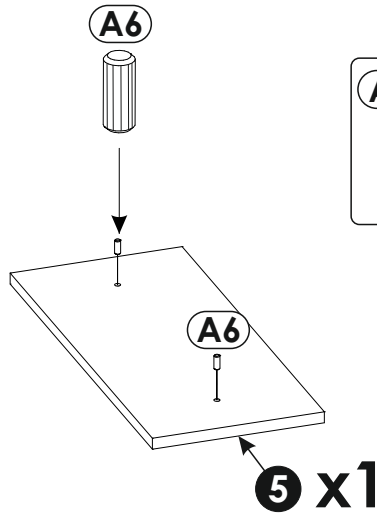
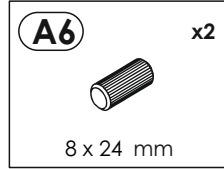
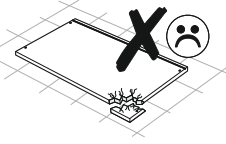
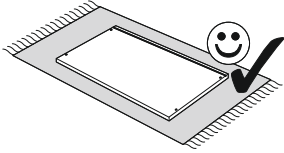


|          |      |     |    |    |     |
|----------|------|-----|----|----|-----|
| <b>1</b> | 1000 | 640 | 22 | x1 | 2/2 |
| <b>2</b> | 1000 | 640 | 22 | x1 | 2/2 |
| <b>3</b> | 561  | 248 | 16 | x1 | 1/2 |
| <b>4</b> | 561  | 248 | 16 | x1 | 1/2 |
| <b>5</b> | 550  | 242 | 16 | x2 | 1/2 |
| <b>6</b> | 606  | 248 | 16 | x1 | 1/2 |
| <b>7</b> | 638  | 248 | 22 | x1 | 1/2 |

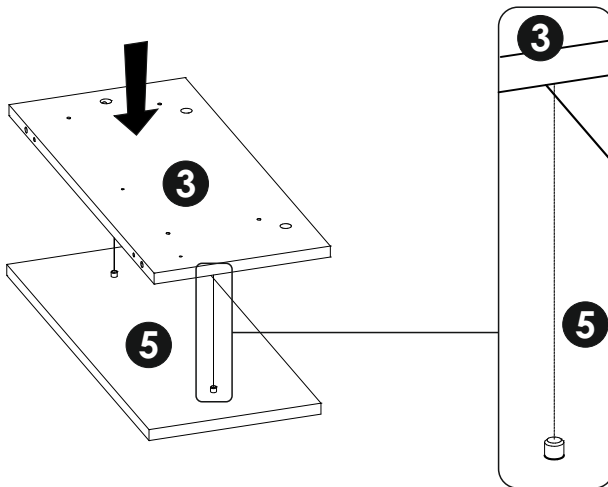
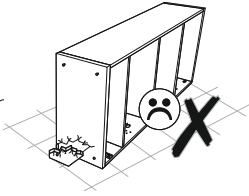
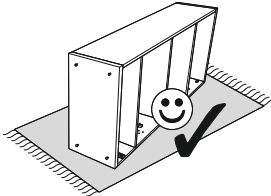
|           |     |     |    |    |     |
|-----------|-----|-----|----|----|-----|
| <b>8</b>  | 800 | 158 | 16 | x1 | 1/2 |
| <b>9</b>  | 460 | 158 | 16 | x2 | 1/2 |
| <b>10</b> | 450 | 180 | 16 | x1 | 1/2 |
| <b>11</b> | 450 | 180 | 16 | x1 | 1/2 |
| <b>12</b> | 532 | 162 | 16 | x1 | 1/2 |
| <b>13</b> | 636 | 242 | 16 | x1 | 1/2 |
| <b>14</b> | 544 | 455 | 3  | x1 | 2/2 |



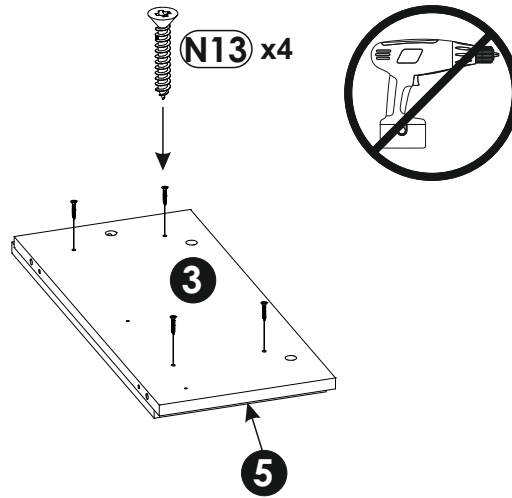
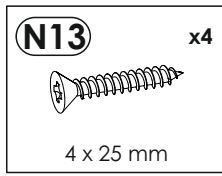
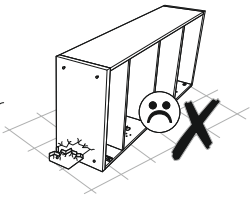
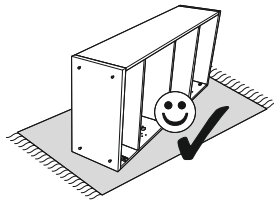
1 ▶



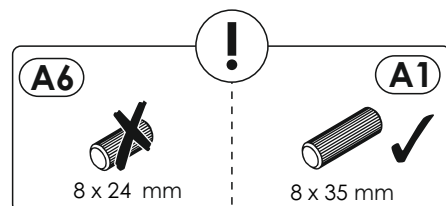
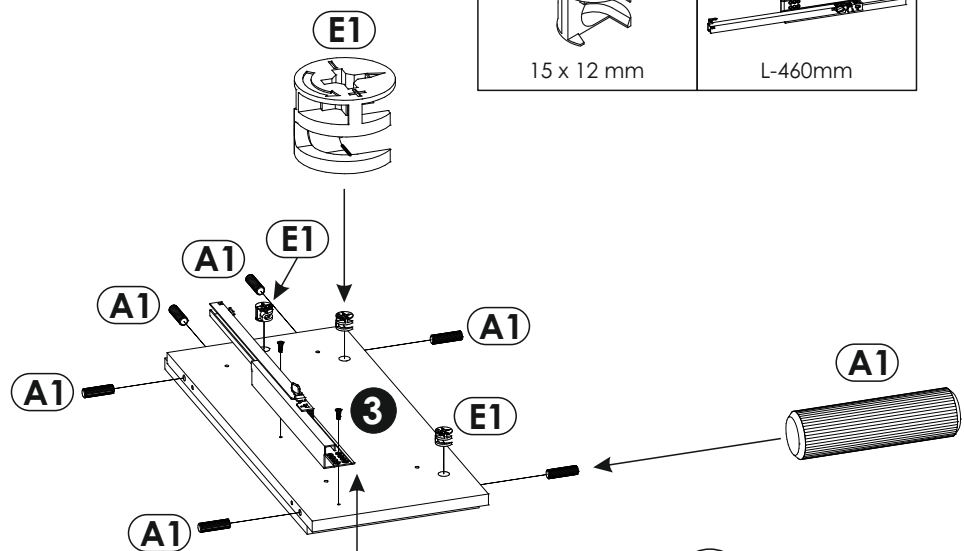
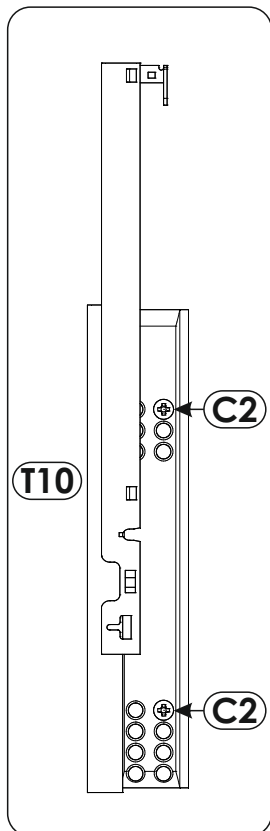
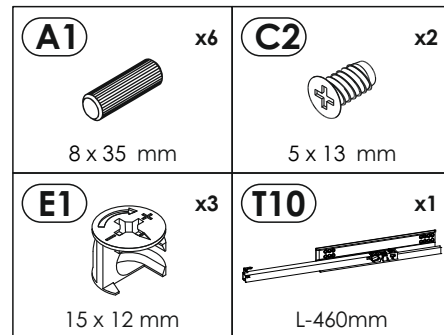
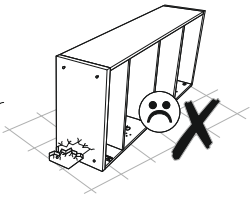
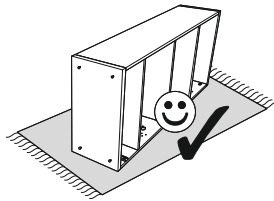
2 ▶



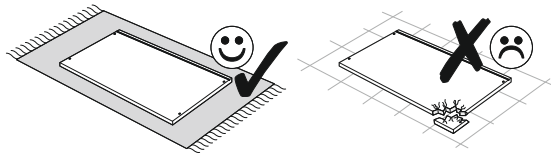
3 ▶



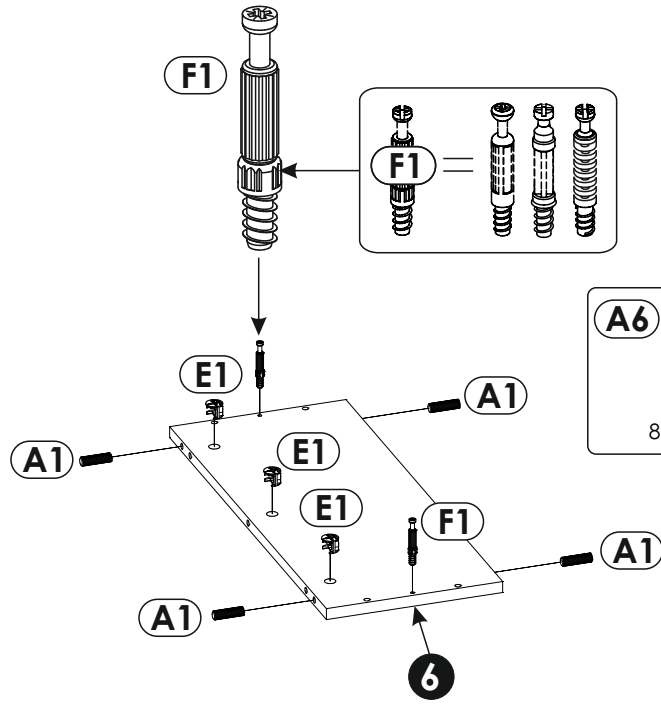
4 ▶



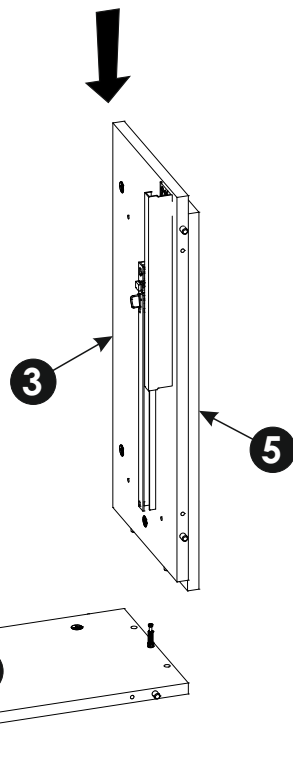
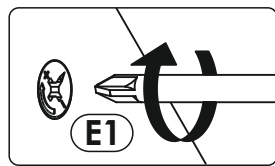
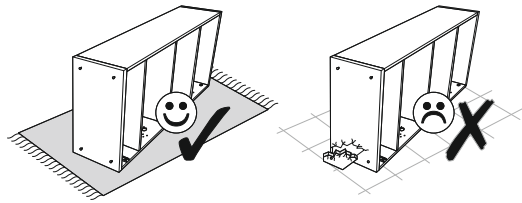
5 ▶

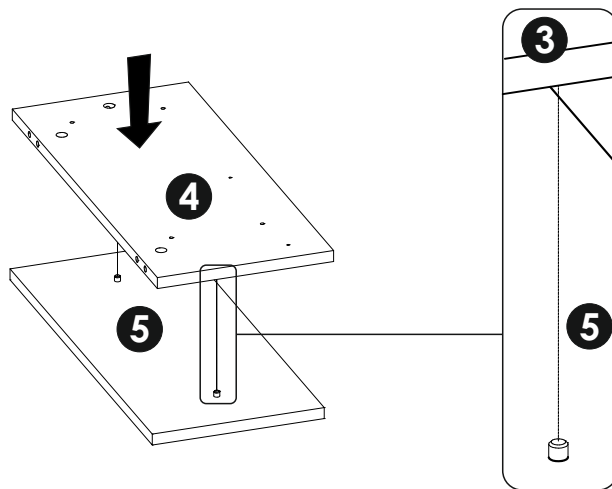
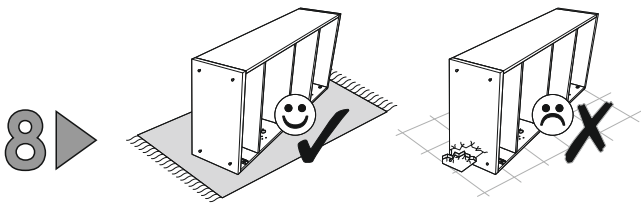
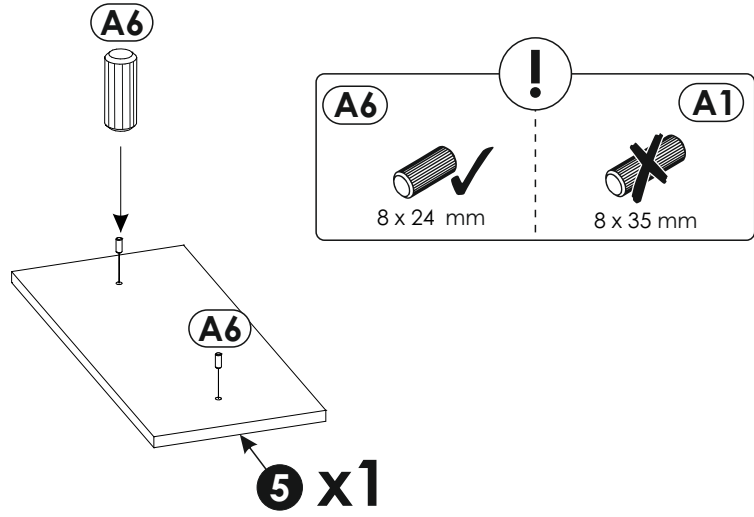
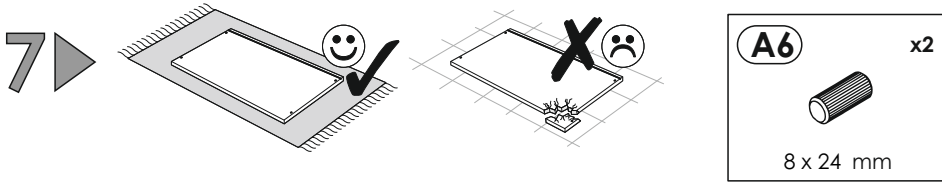


|           |    |            |    |           |    |
|-----------|----|------------|----|-----------|----|
| <b>A1</b> | x4 | <b>E1</b>  | x3 | <b>F1</b> | x2 |
|           |    |            |    |           |    |
| 8 x 35 mm |    | 15 x 12 mm |    | 6 x 34 mm |    |



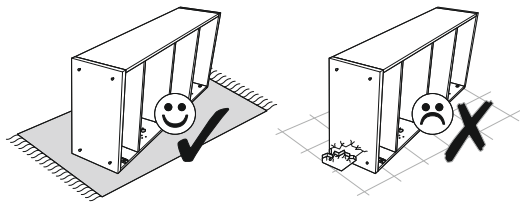
6 ▶



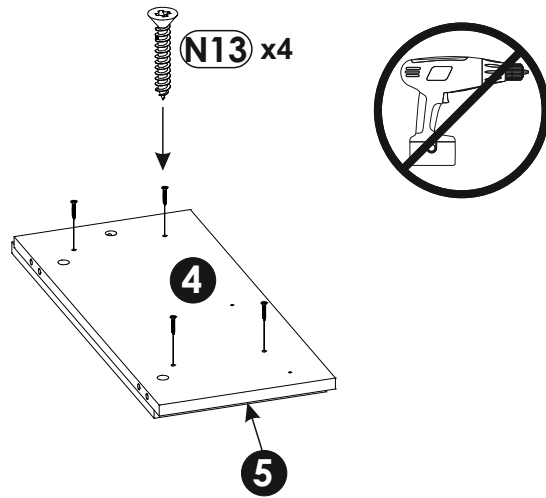




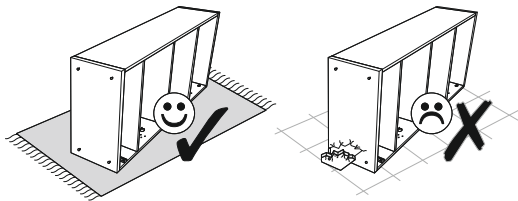
9 ▶



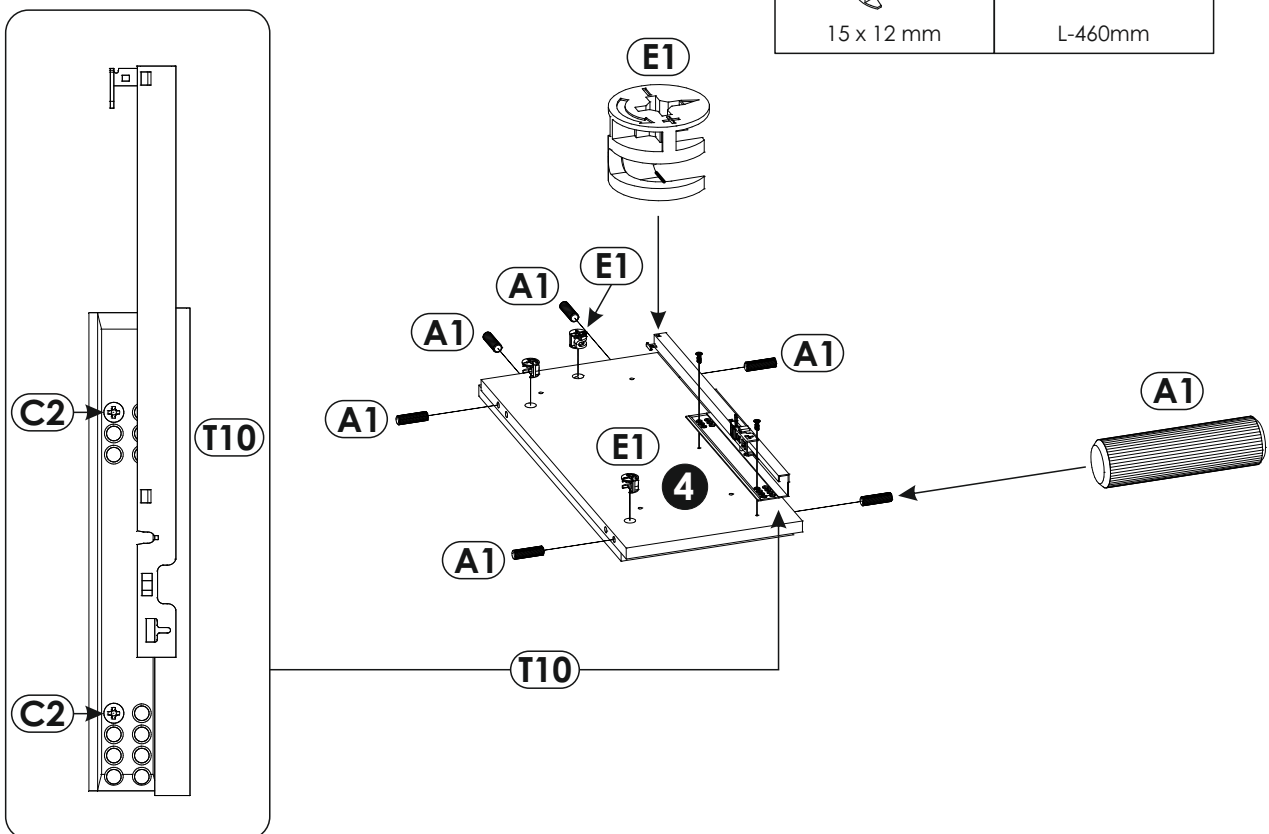
|            |    |
|------------|----|
| <b>N13</b> | x4 |
|            |    |
| 4 x 25 mm  |    |



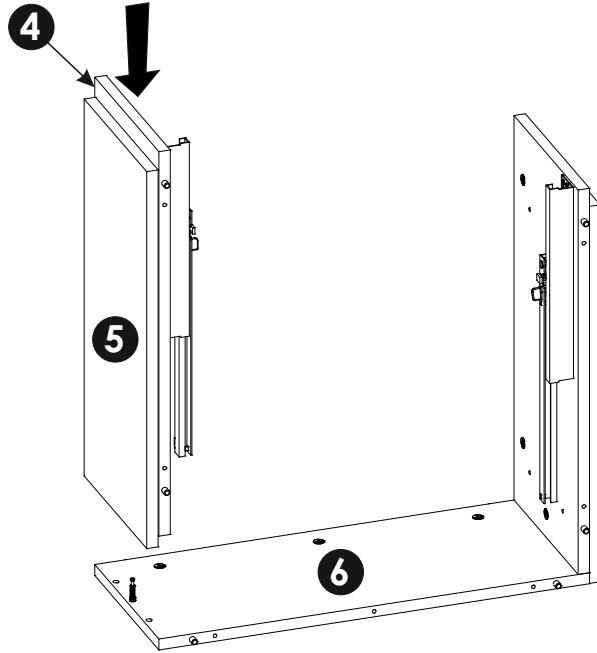
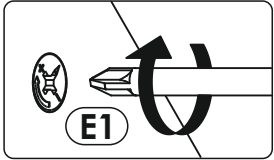
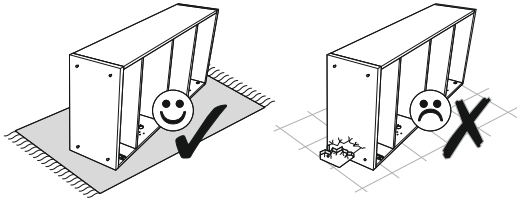
10 ▶



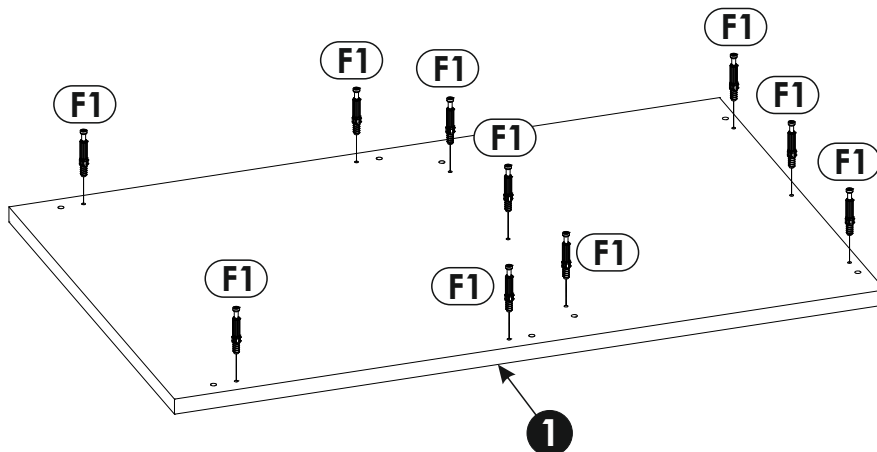
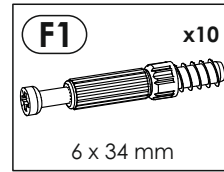
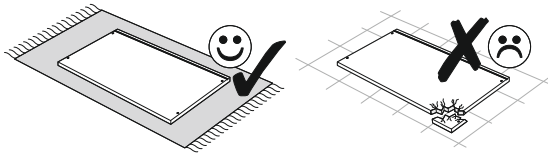
|            |    |            |    |
|------------|----|------------|----|
| <b>A1</b>  | x6 | <b>C2</b>  | x2 |
|            |    |            |    |
| 8 x 35 mm  |    | 5 x 13 mm  |    |
| <b>E1</b>  | x3 | <b>T10</b> | x1 |
|            |    |            |    |
| 15 x 12 mm |    | L-460mm    |    |



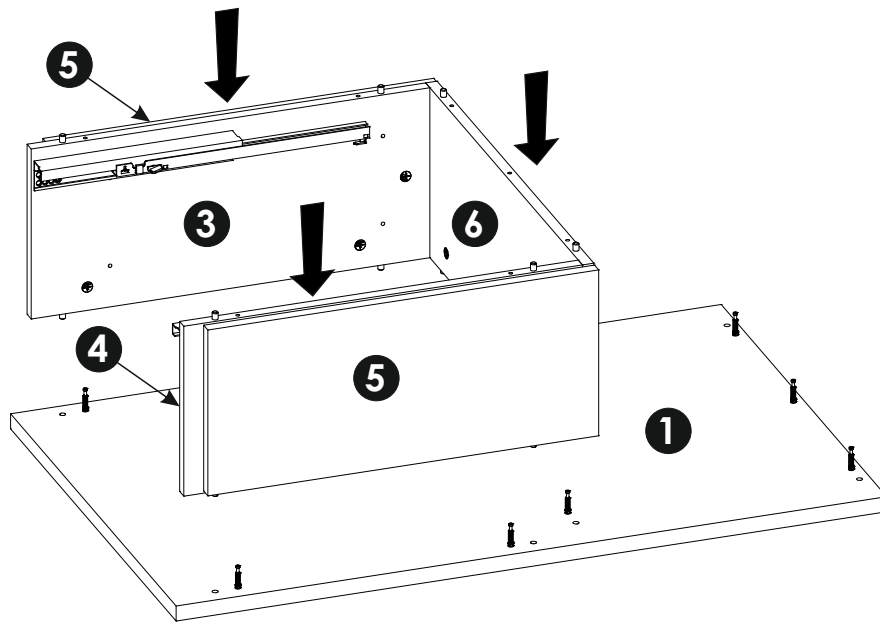
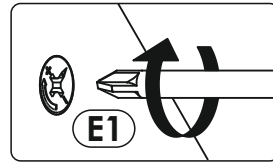
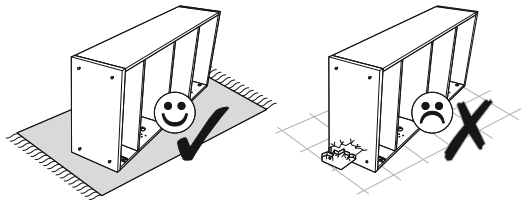
11 ▶



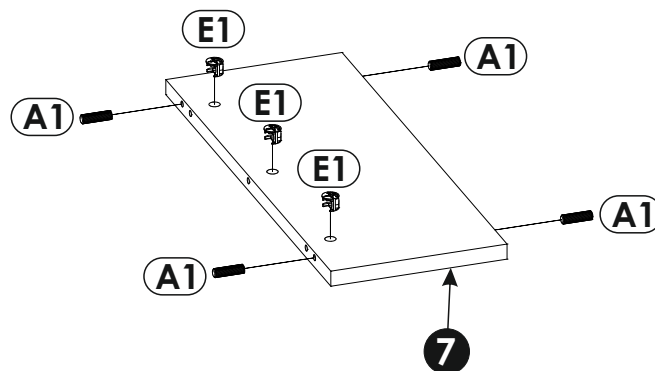
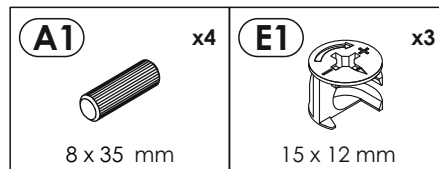
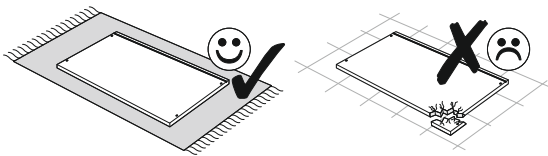
12 ▶



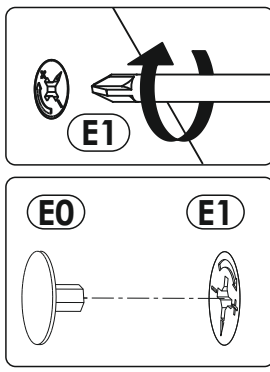
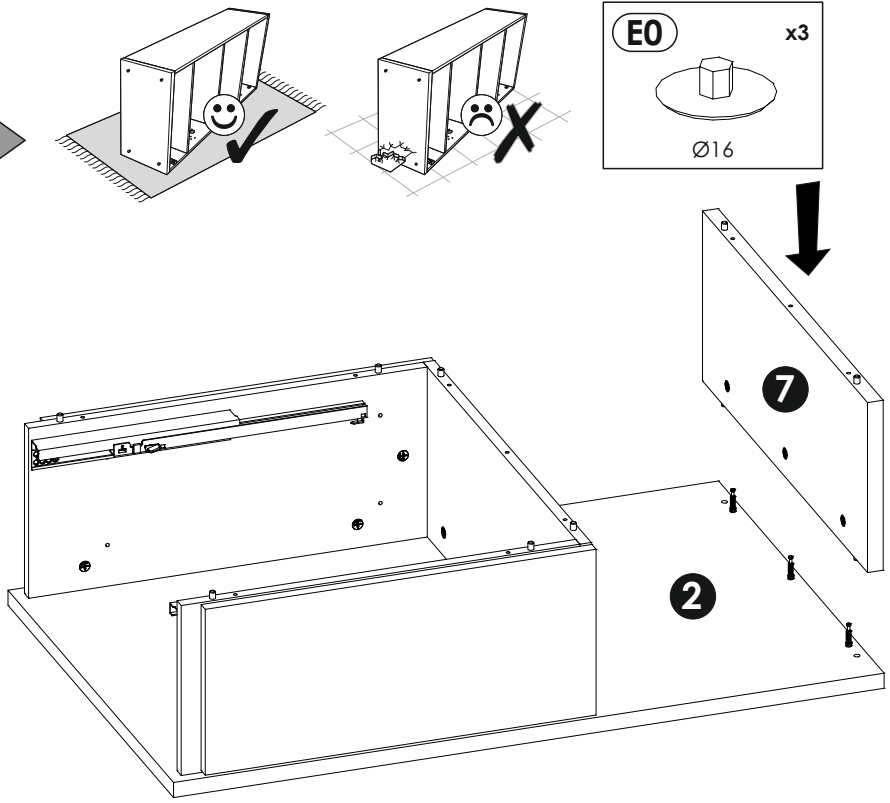
13▶



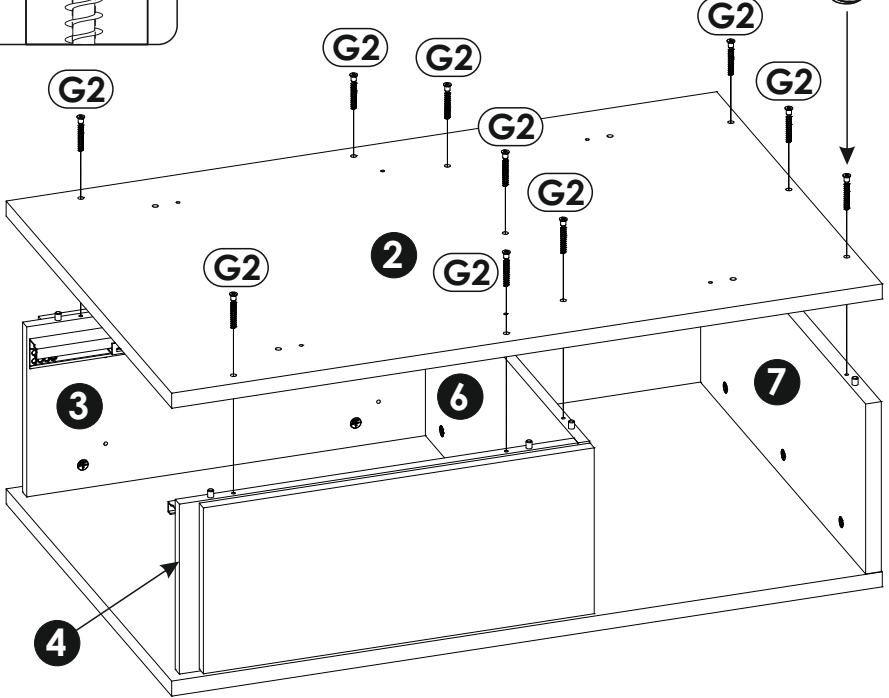
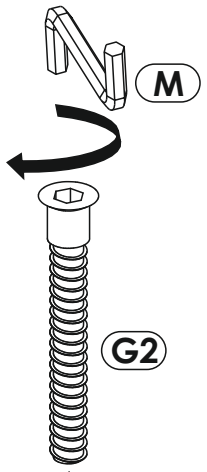
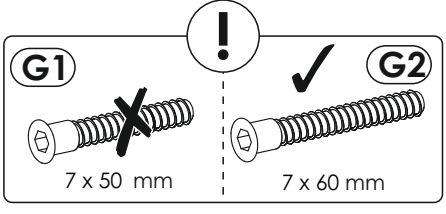
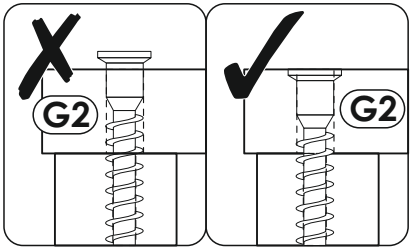
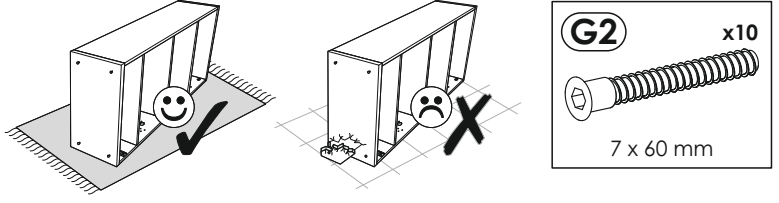
14▶



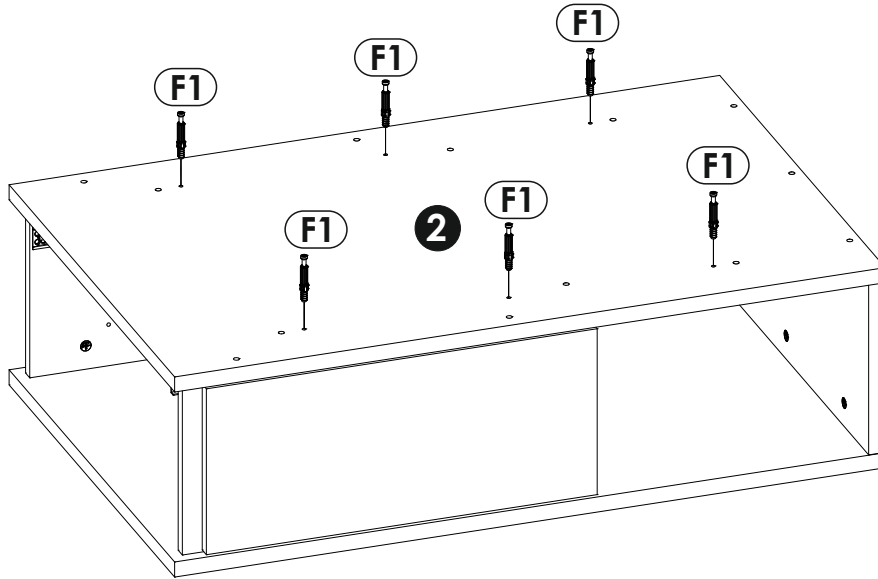
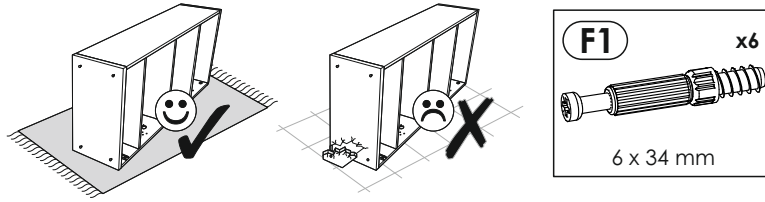
15 ▶



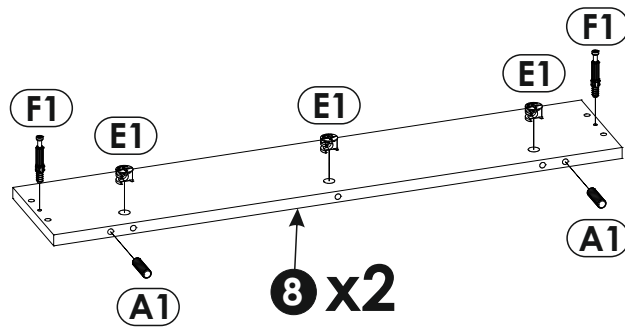
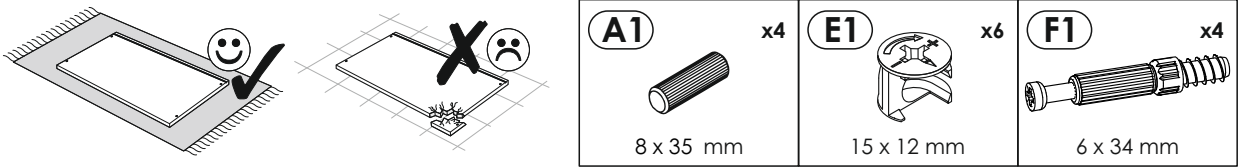
16 ▶



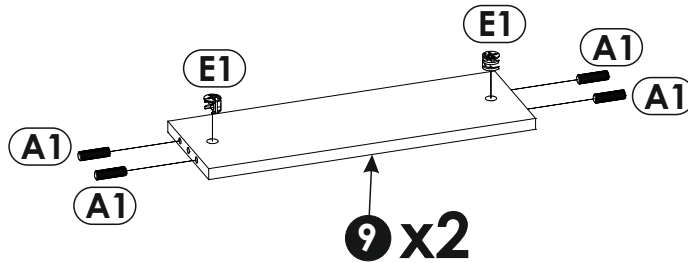
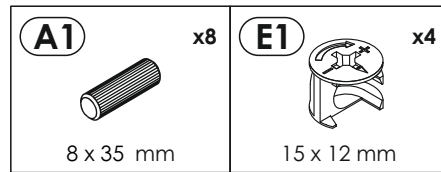
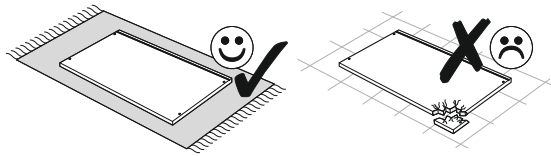
17▶



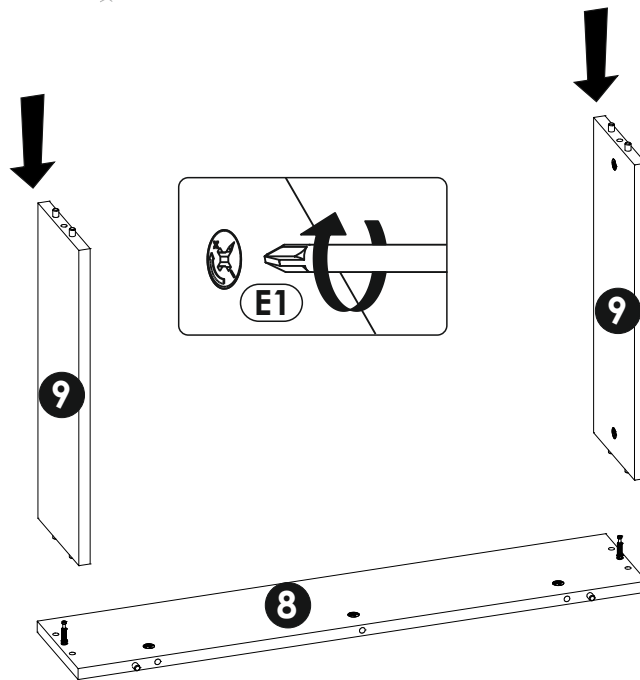
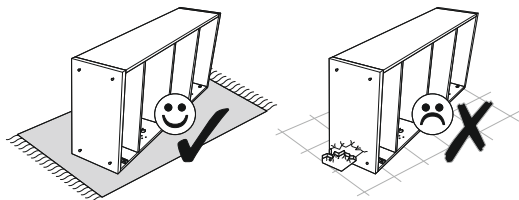
18▶



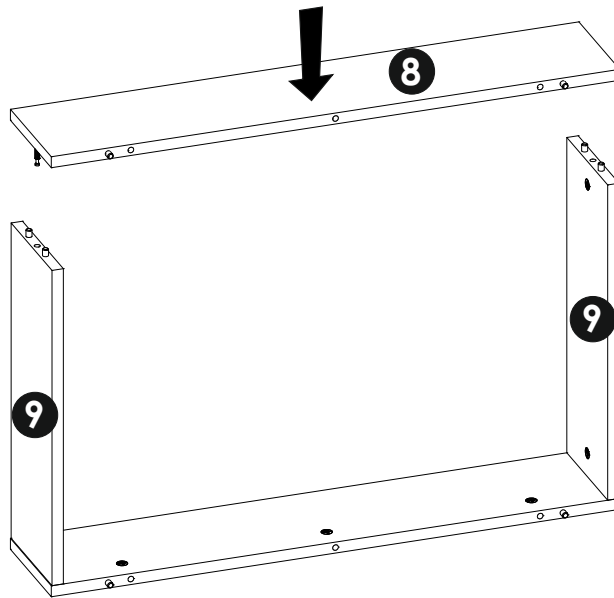
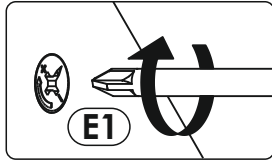
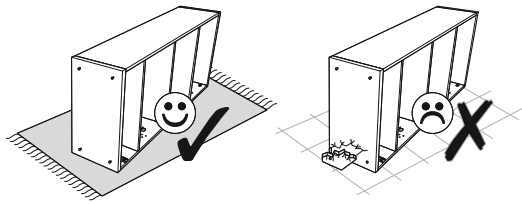
19▶



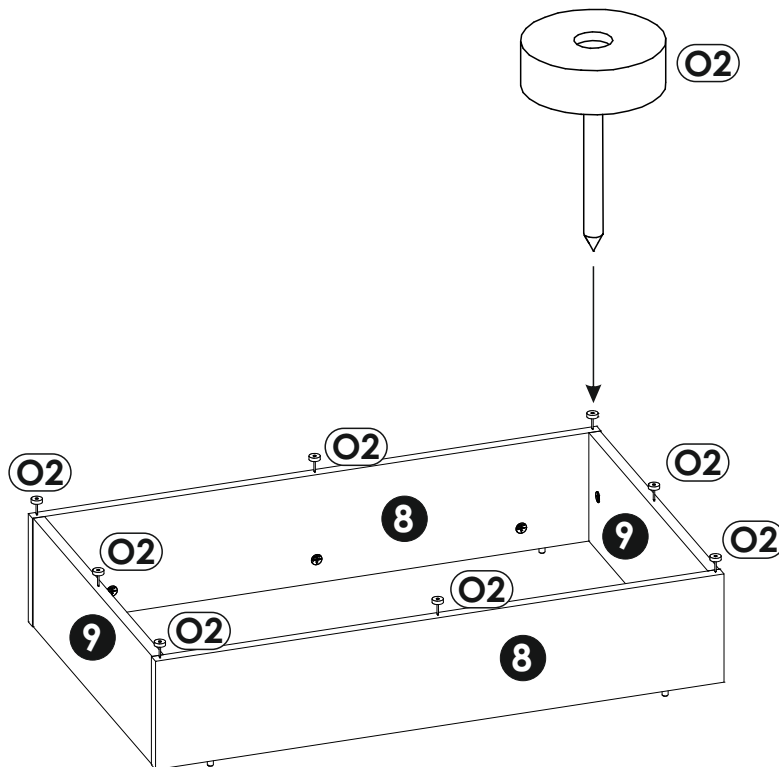
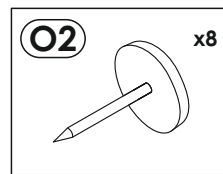
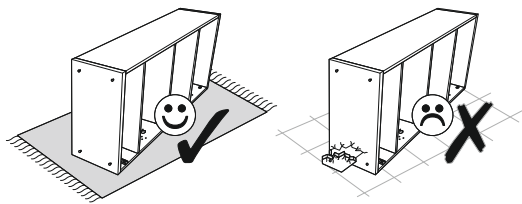
20▶

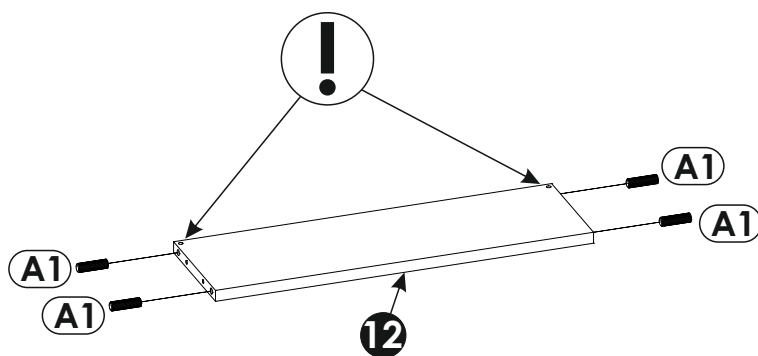
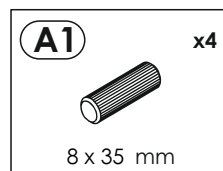
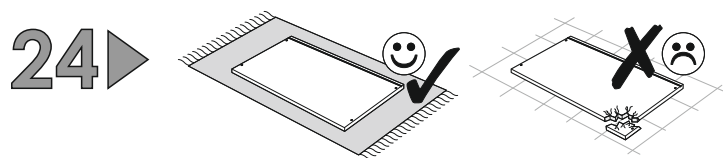
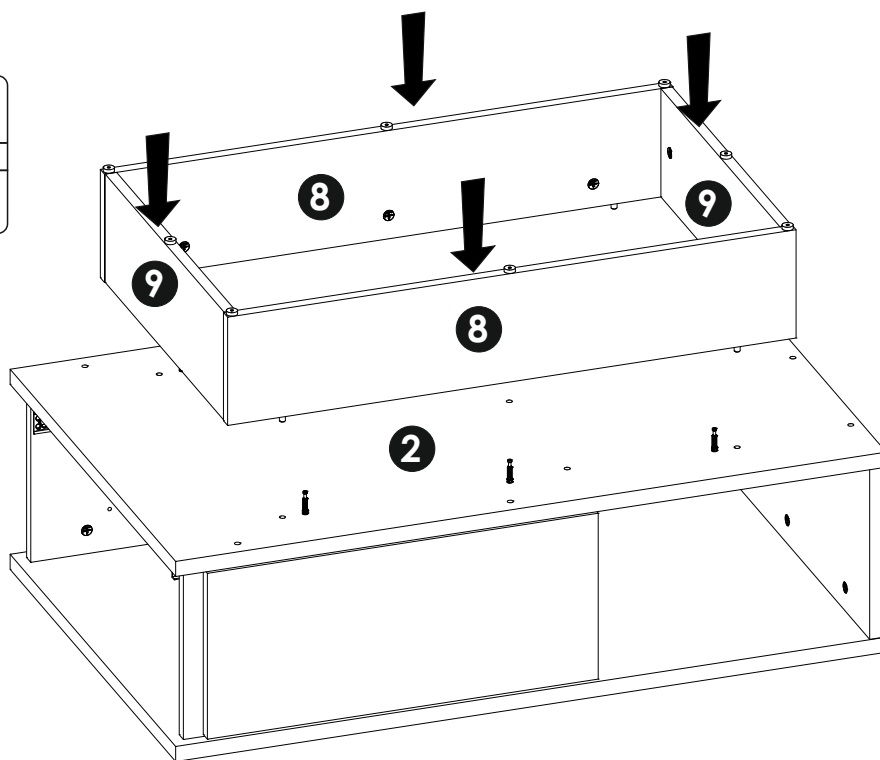
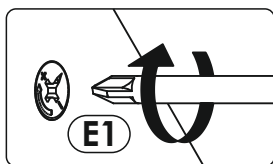
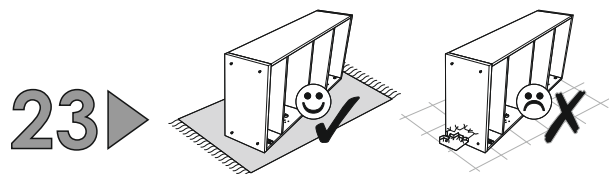


21 ▶



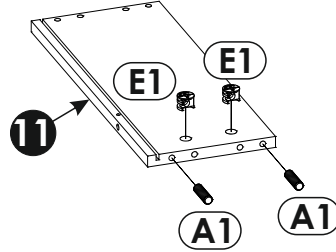
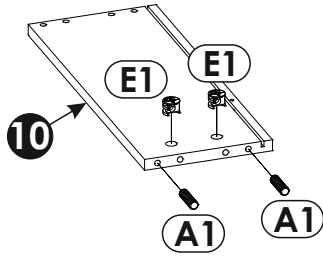
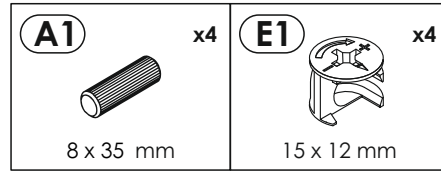
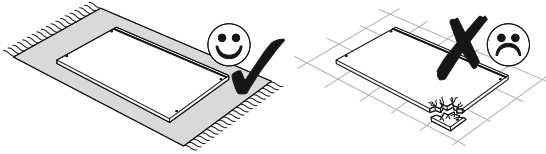
22 ▶



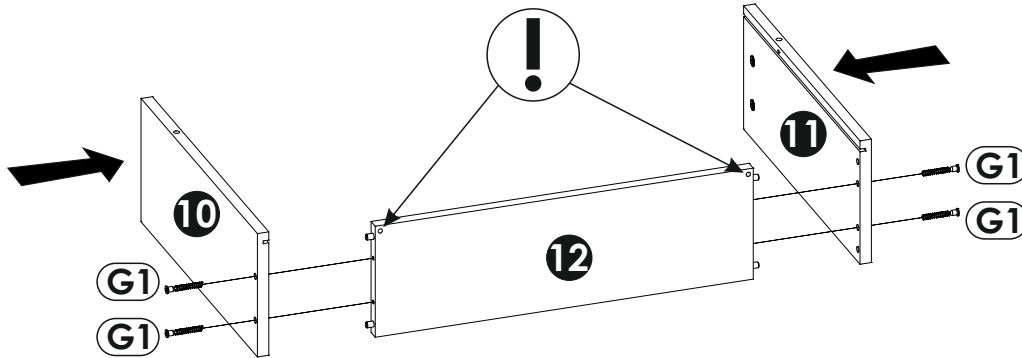
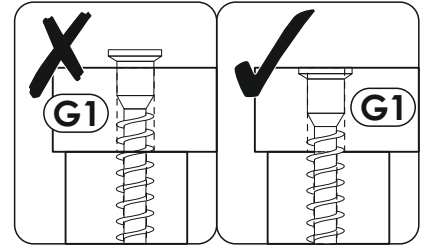
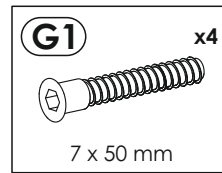
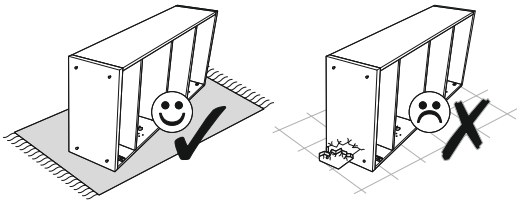




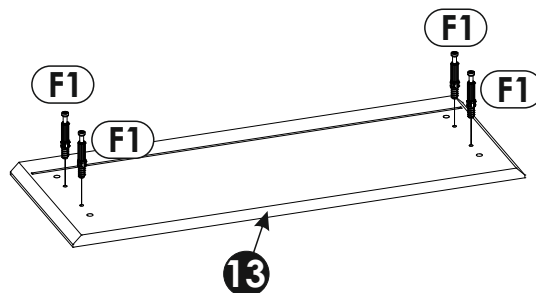
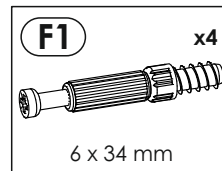
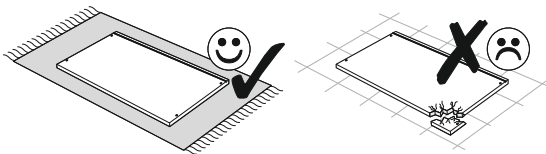
25 ▶



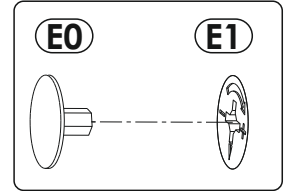
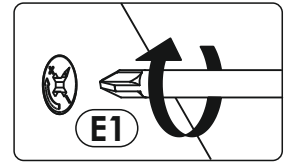
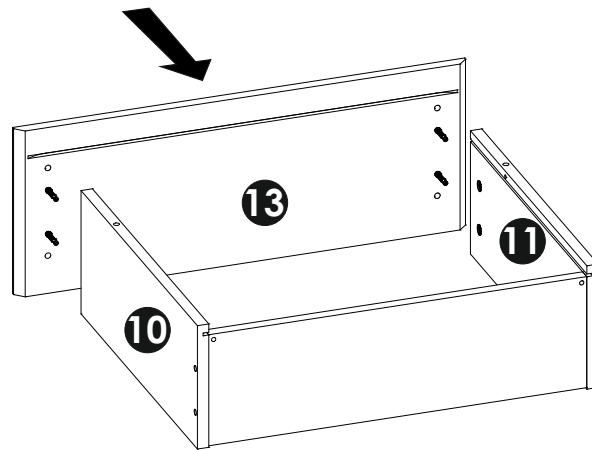
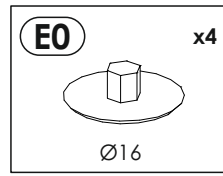
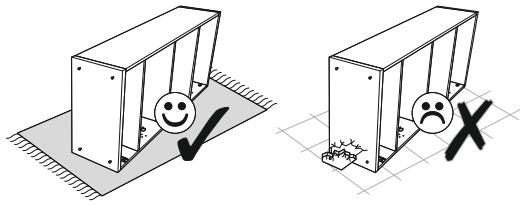
26 ▶



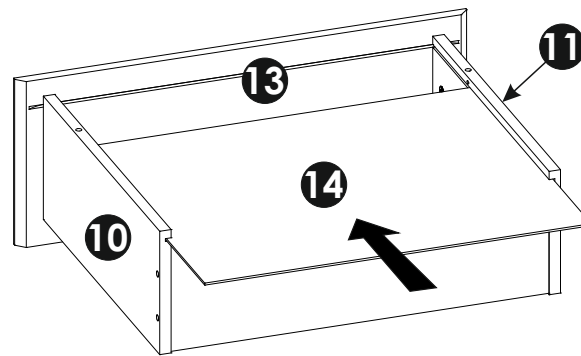
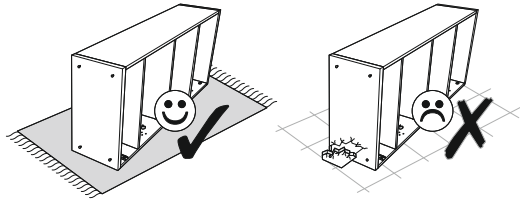
27 ▶



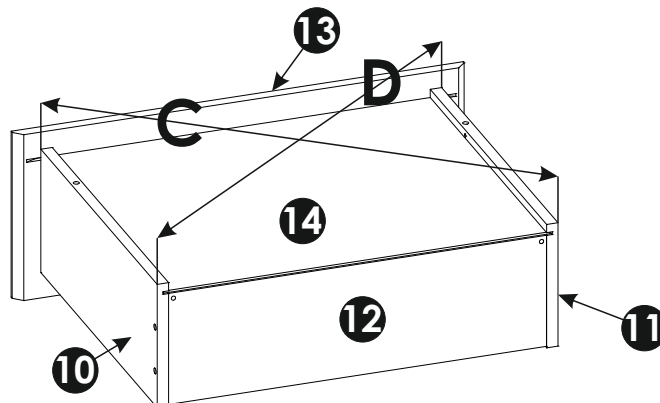
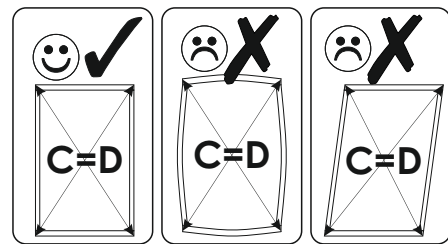
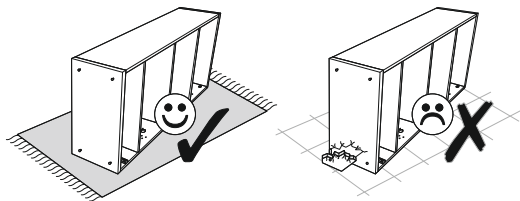
28 ▶



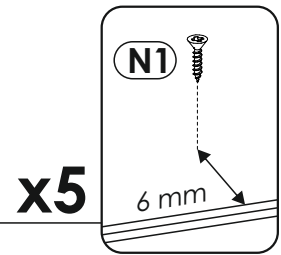
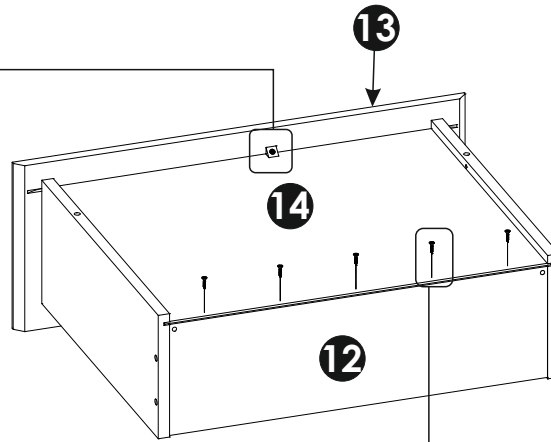
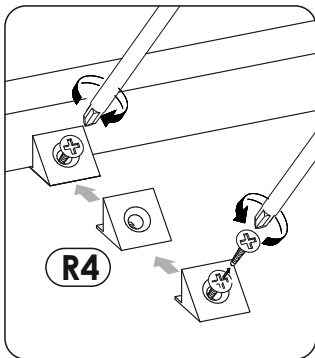
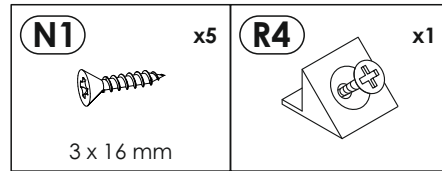
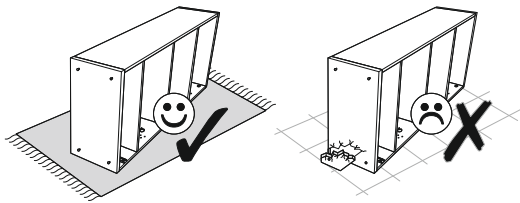
29 ▶



30 ▶



31 ▶



32 ▶

