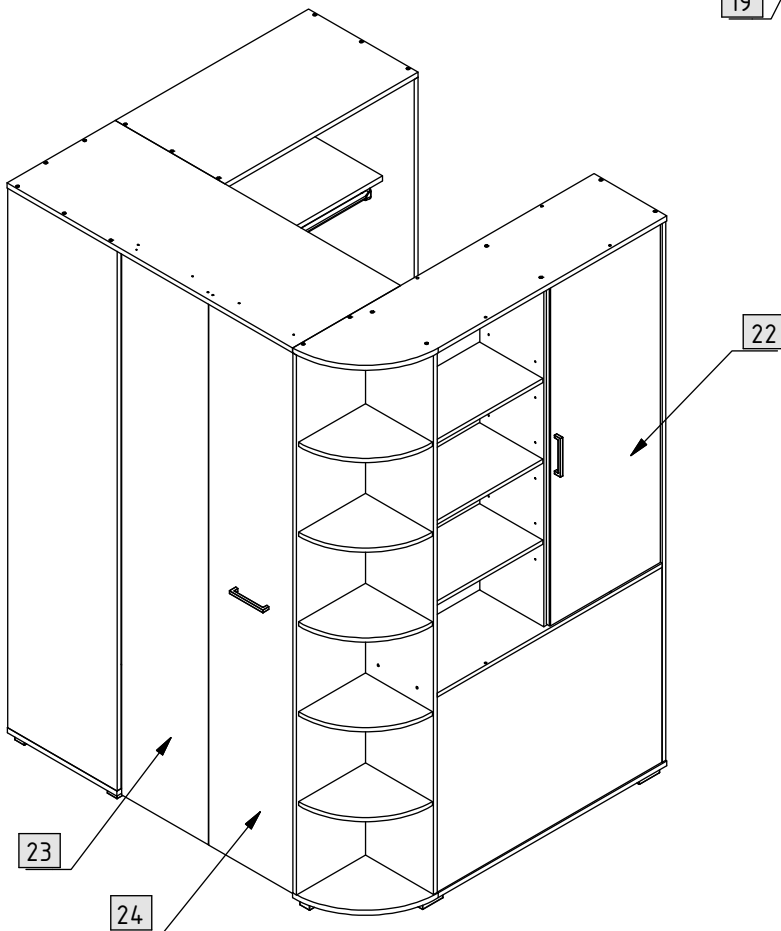
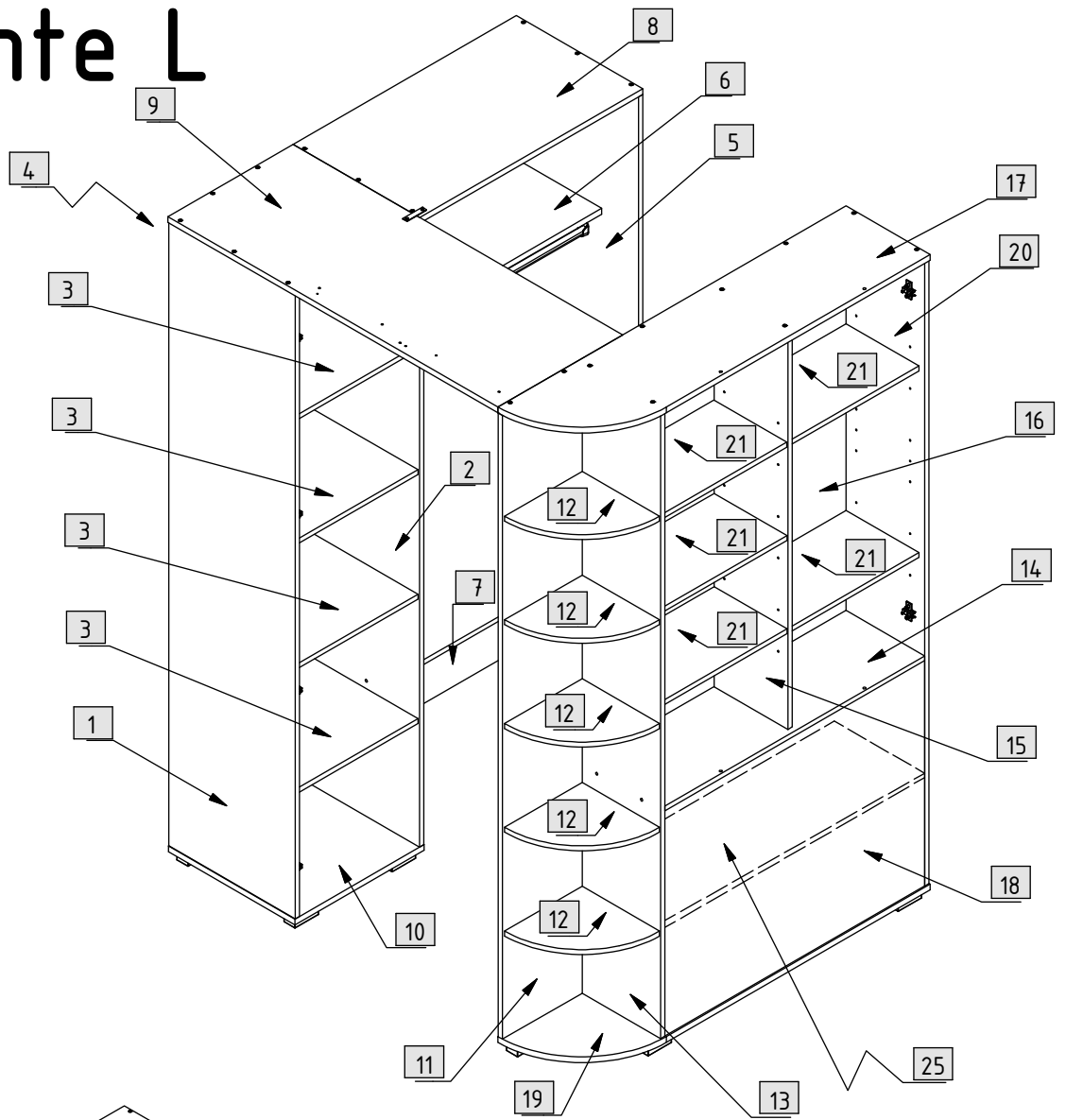
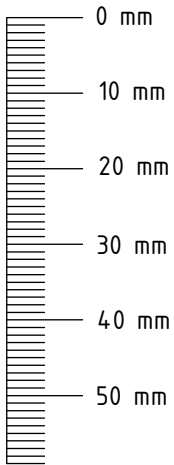
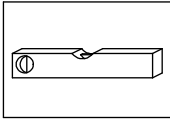
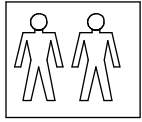


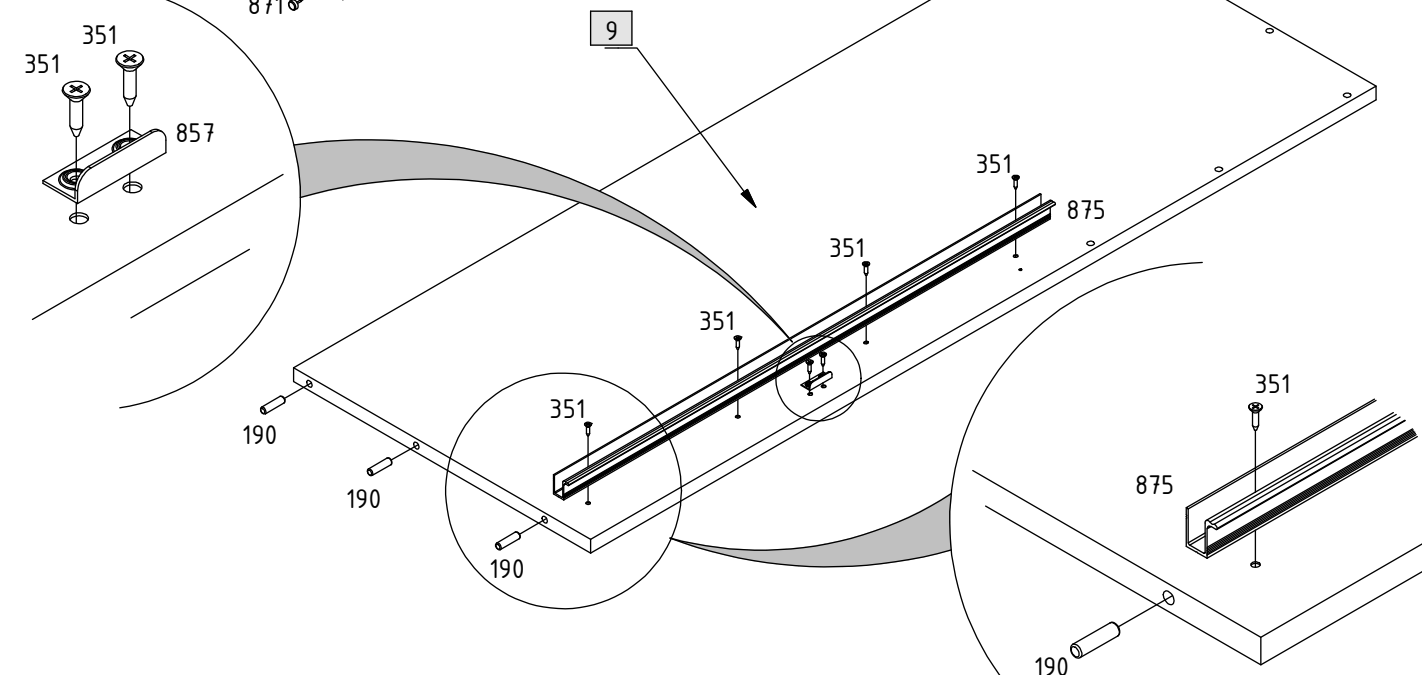
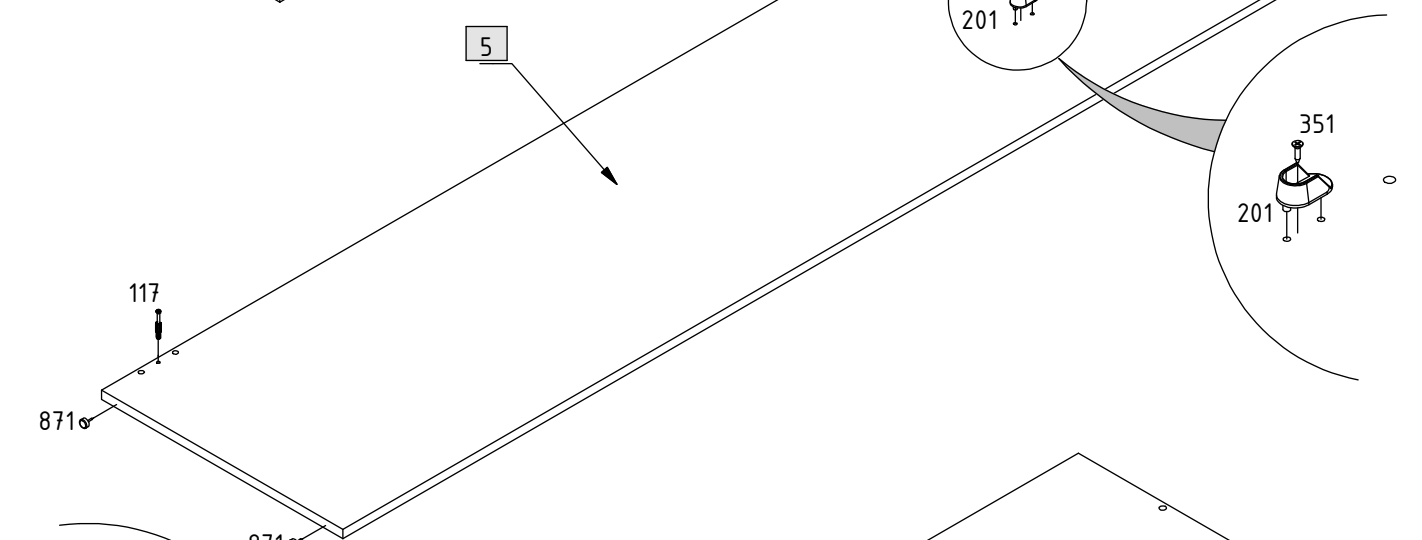
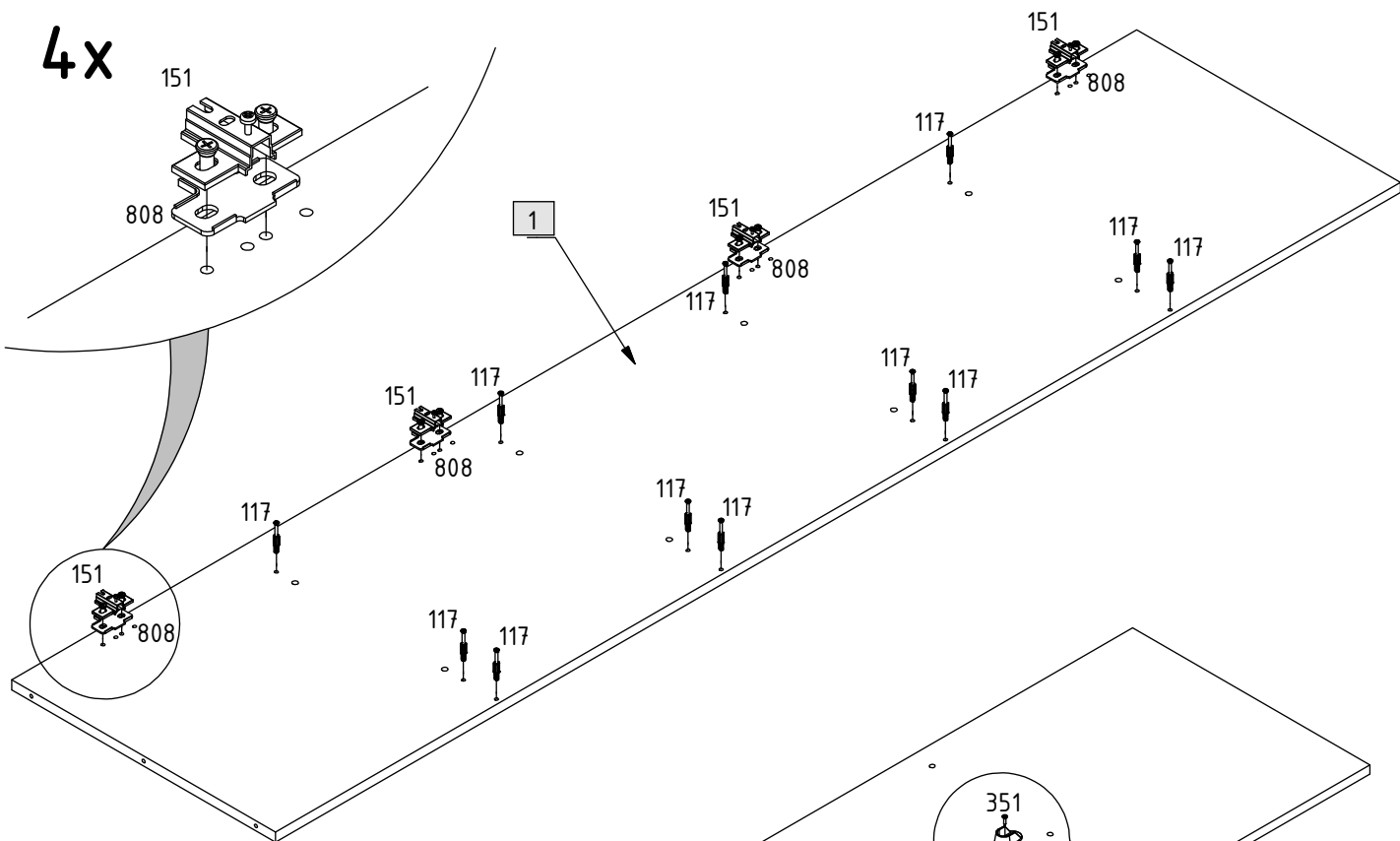
# Variante L

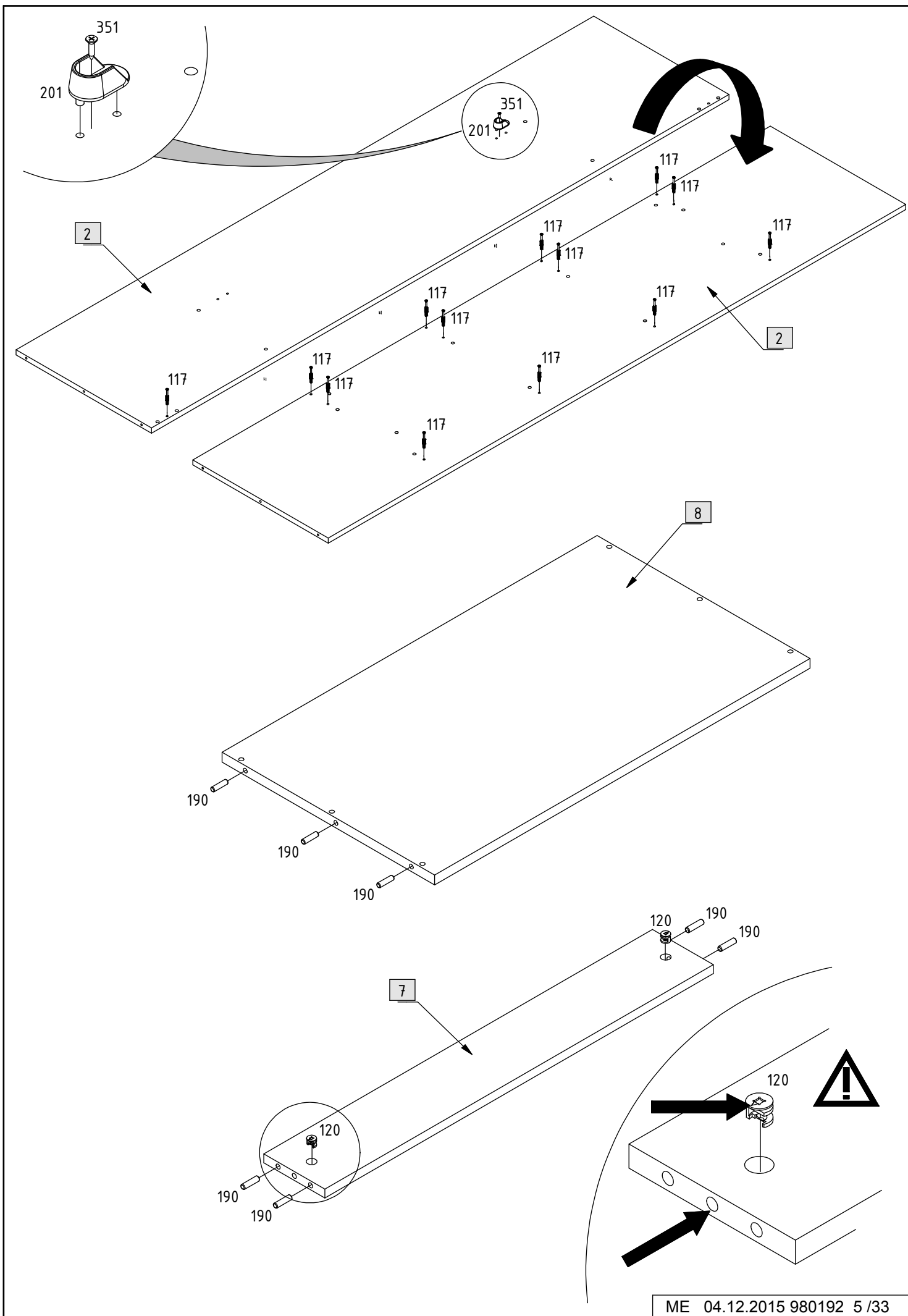


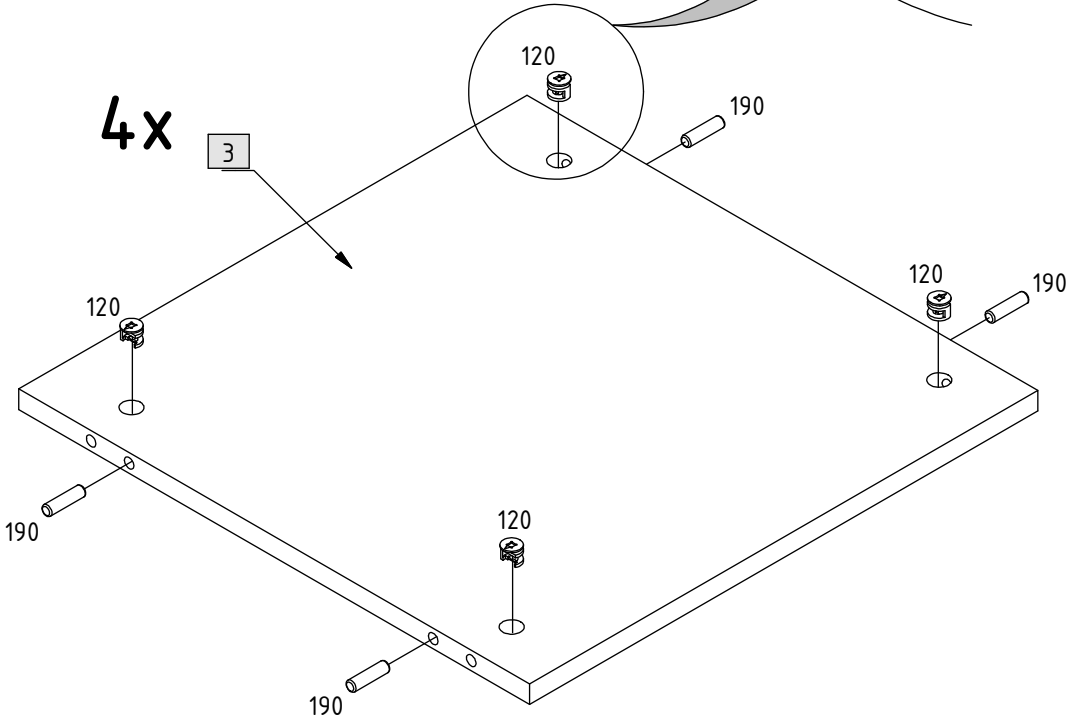
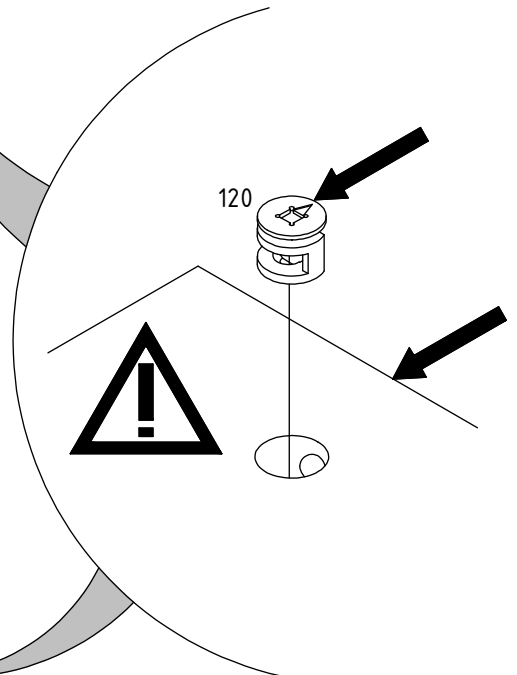
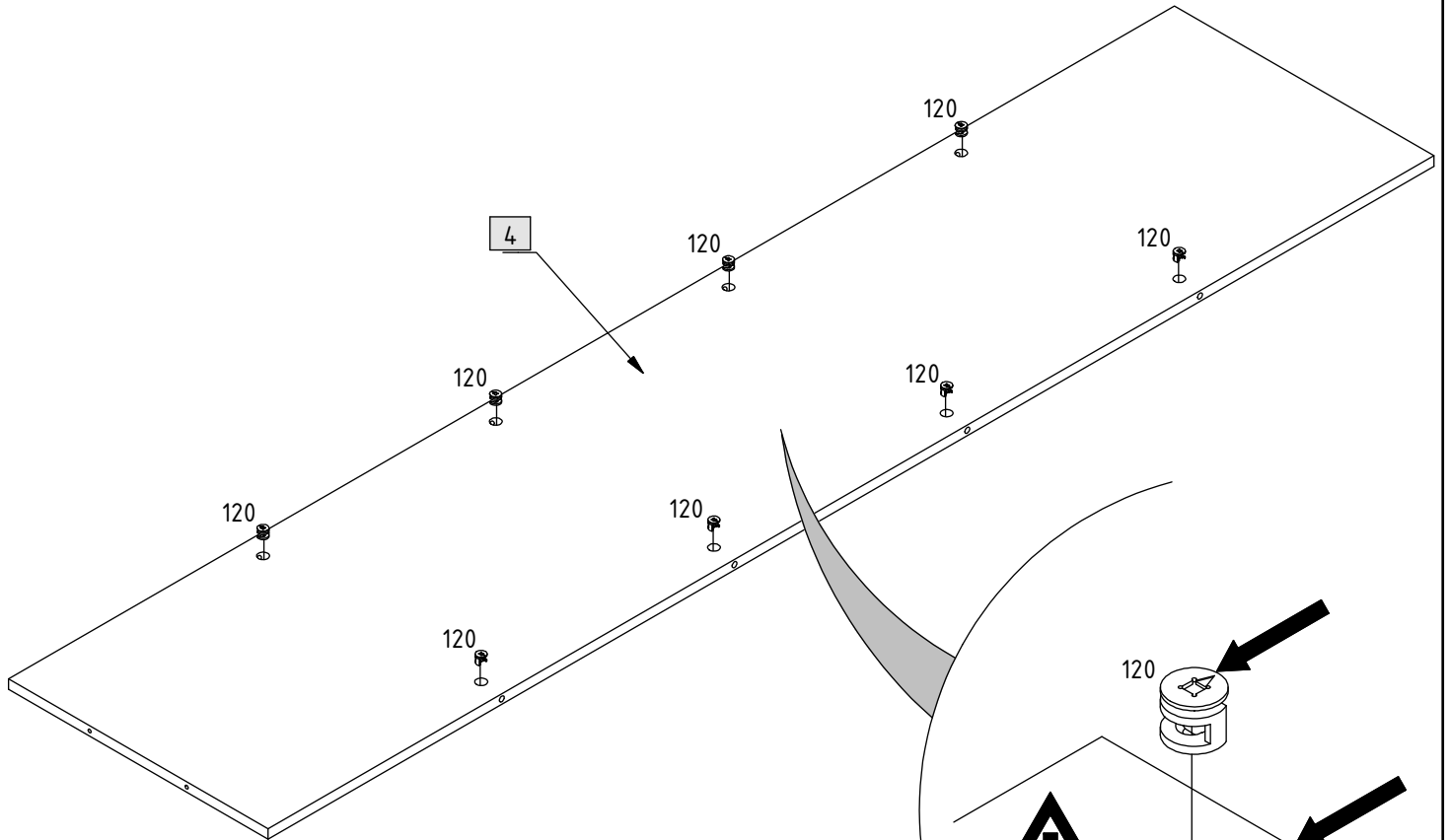


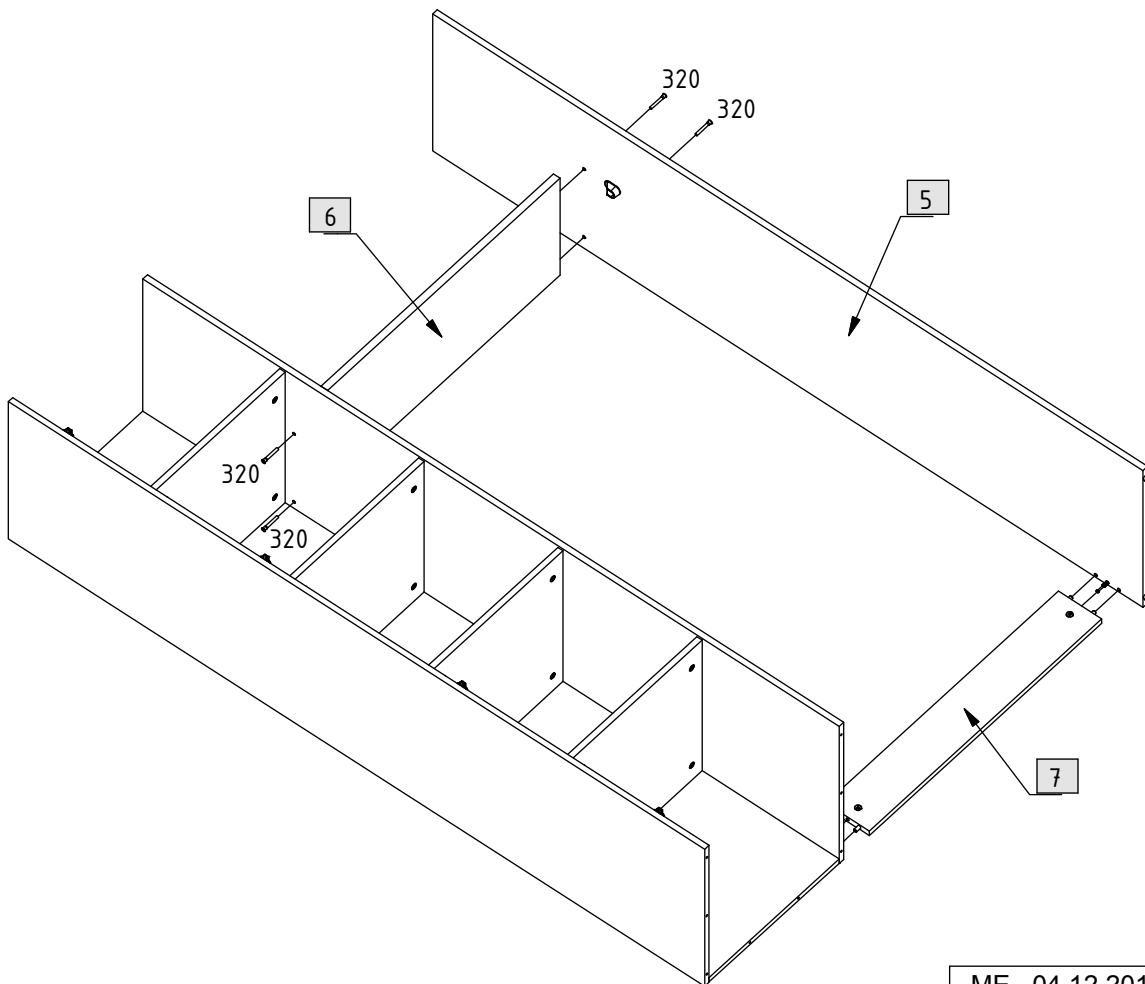
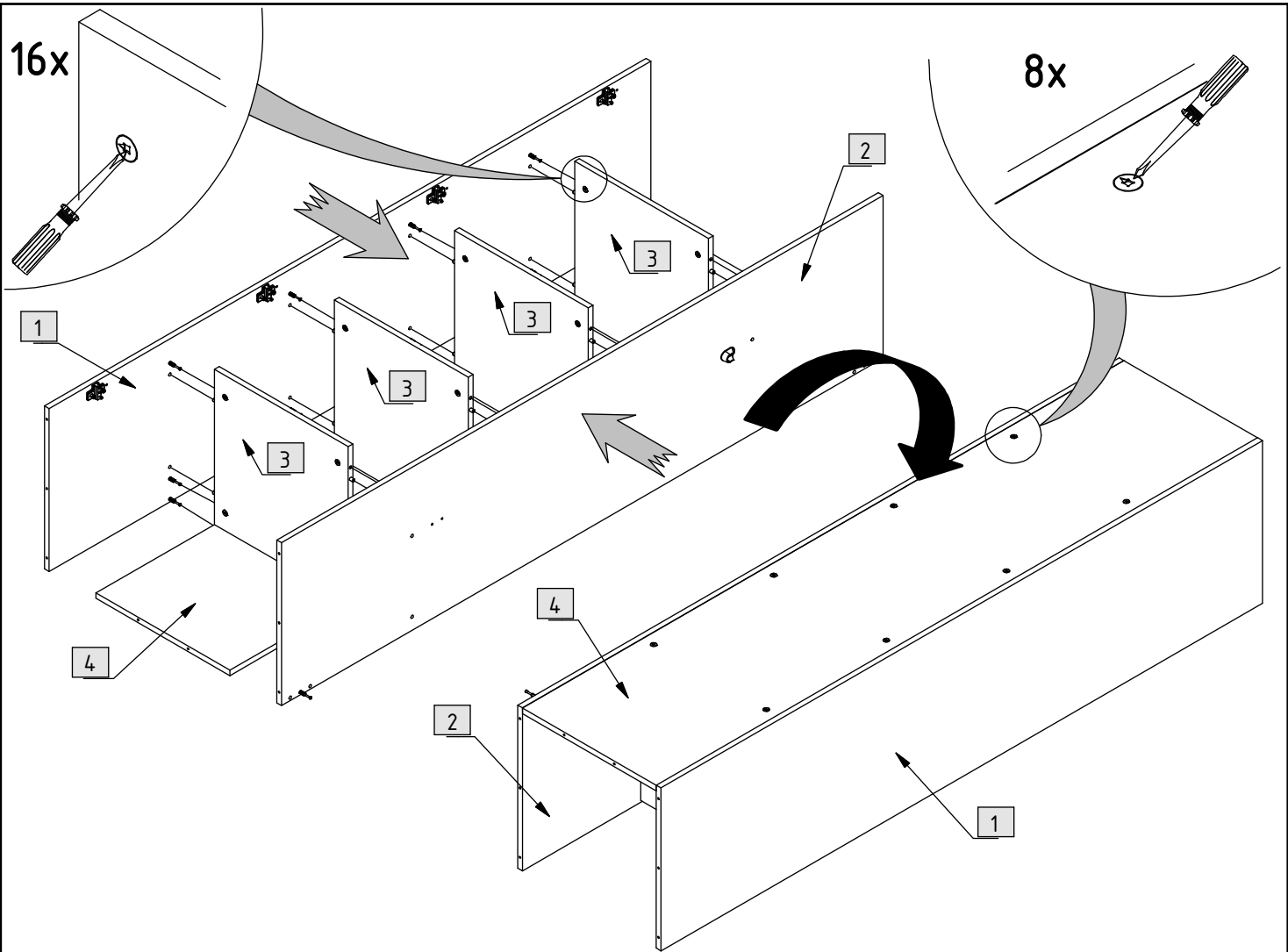
|     |    |  |     |    |  |             |
|-----|----|--|-----|----|--|-------------|
| 099 | 1  |  | 351 | 36 |  | 3,5 x 15mm  |
| 101 | 12 |  | 354 | 1  |  | 3,5 x 25 mm |
| 117 | 50 |  | 377 | 4  |  | 4 x 25 mm   |
| 120 | 50 |  | 385 | 1  |  | M4 x 18mm   |
| 150 | 2  |  | 387 | 3  |  | 4 x 30 mm   |
| 151 | 4  |  | 503 | 2  |  |             |
| 154 | 4  |  | 750 | 3  |  |             |
| 155 | 2  |  | 752 | 1  |  |             |
| 160 | 1  |  | 808 | 4  |  |             |
| 181 | 24 |  | 815 | 1  |  |             |
| 190 | 34 |  | 857 | 1  |  | Ø8 x 30mm   |
| 201 | 2  |  | 870 | 9  |  |             |
| 203 | 1  |  | 871 | 2  |  |             |
| 255 | 1  |  | 873 | 3  |  |             |
| 320 | 43 |  | 874 | 3  |  | 6,3 x 50 mm |
| 350 | 18 |  | 875 | 1  |  | 4 x 25 mm   |

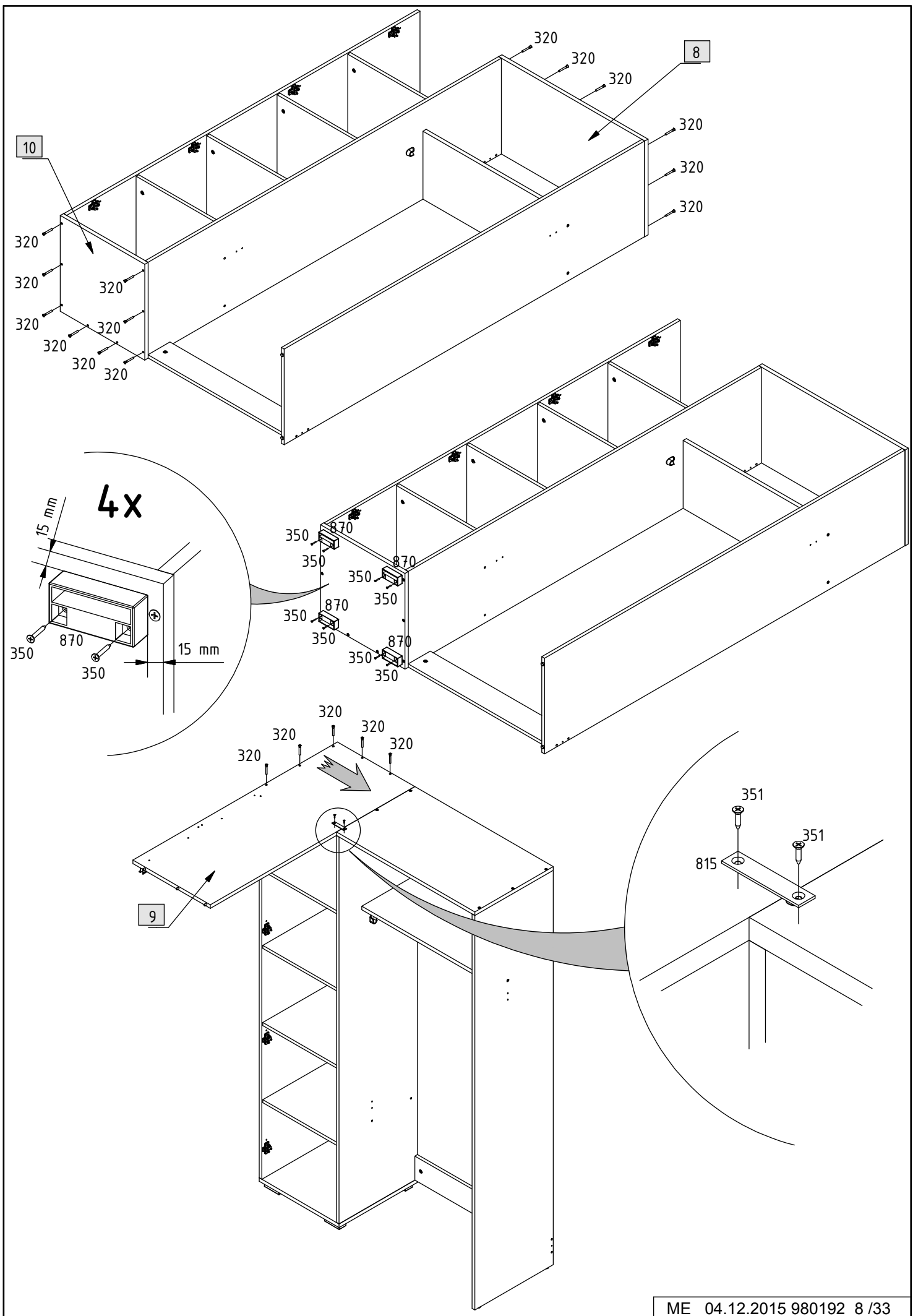
4x



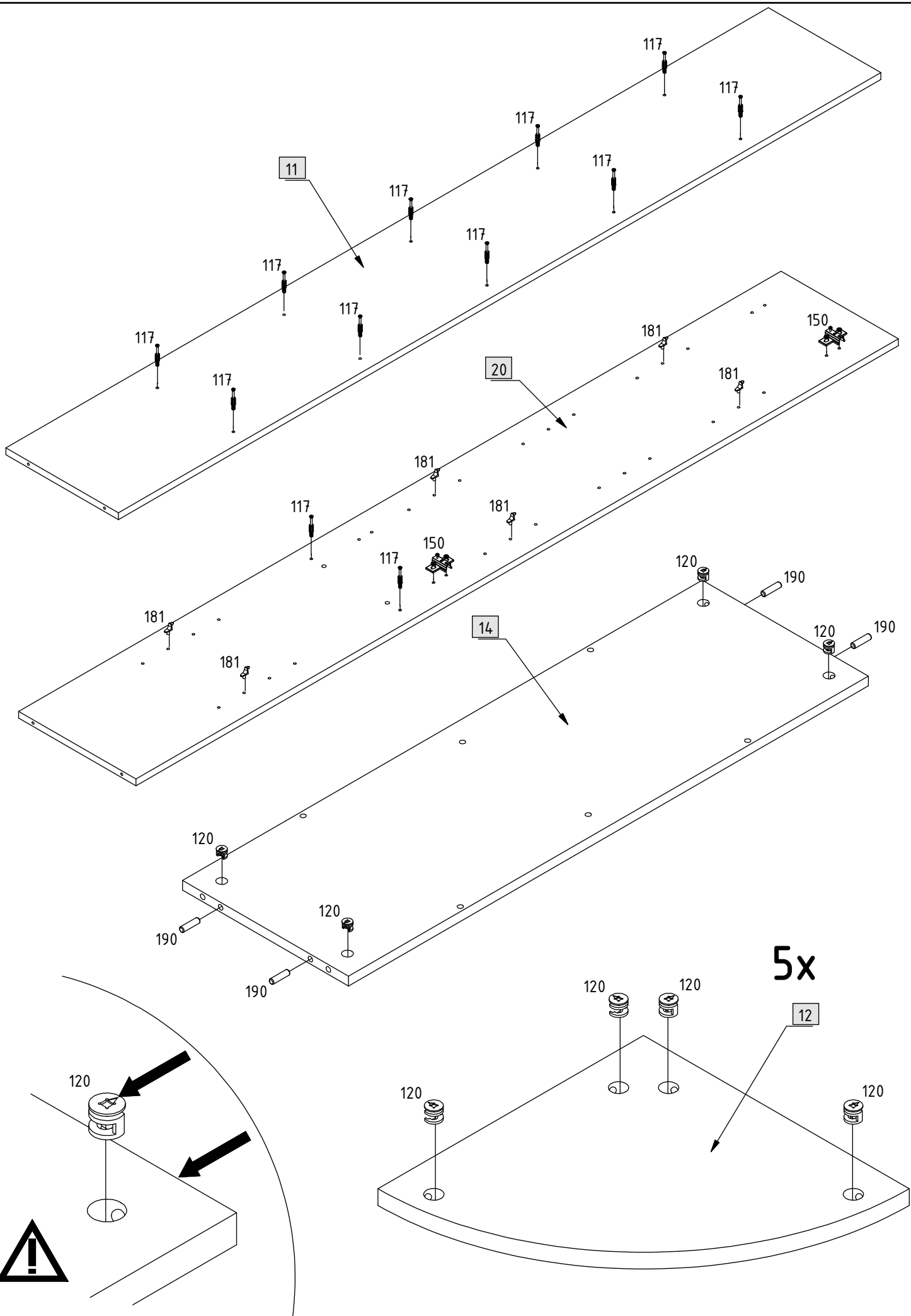


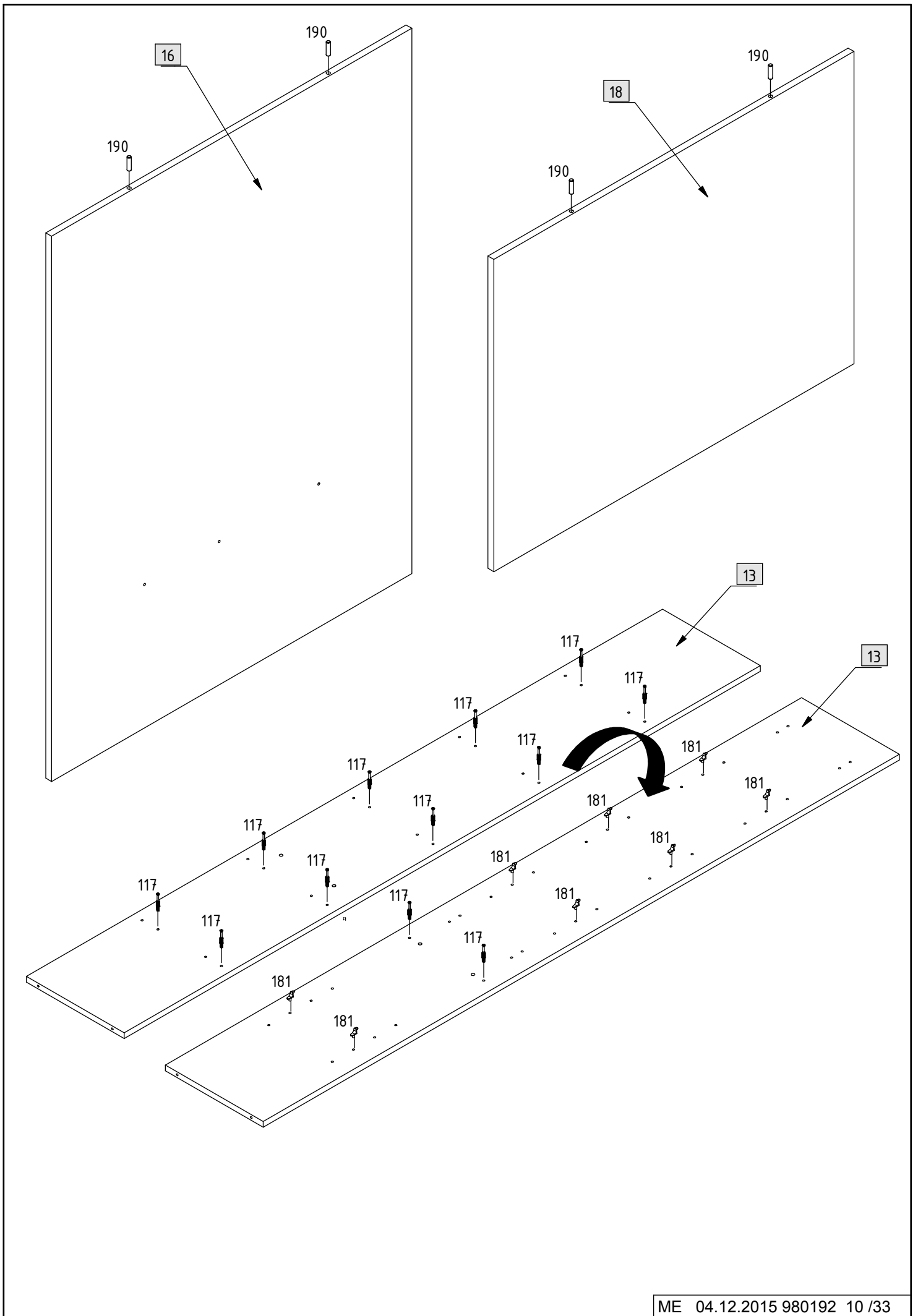


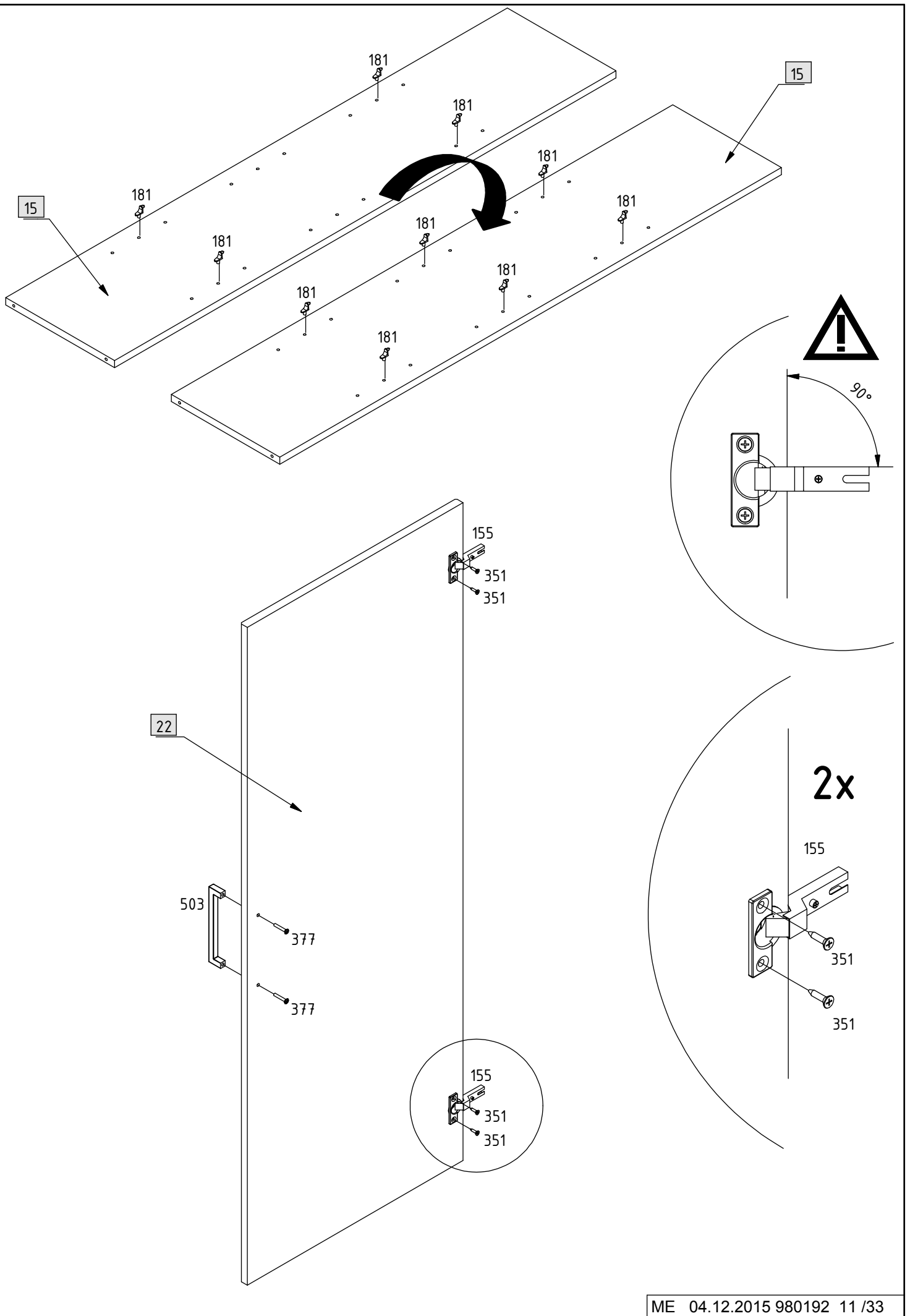


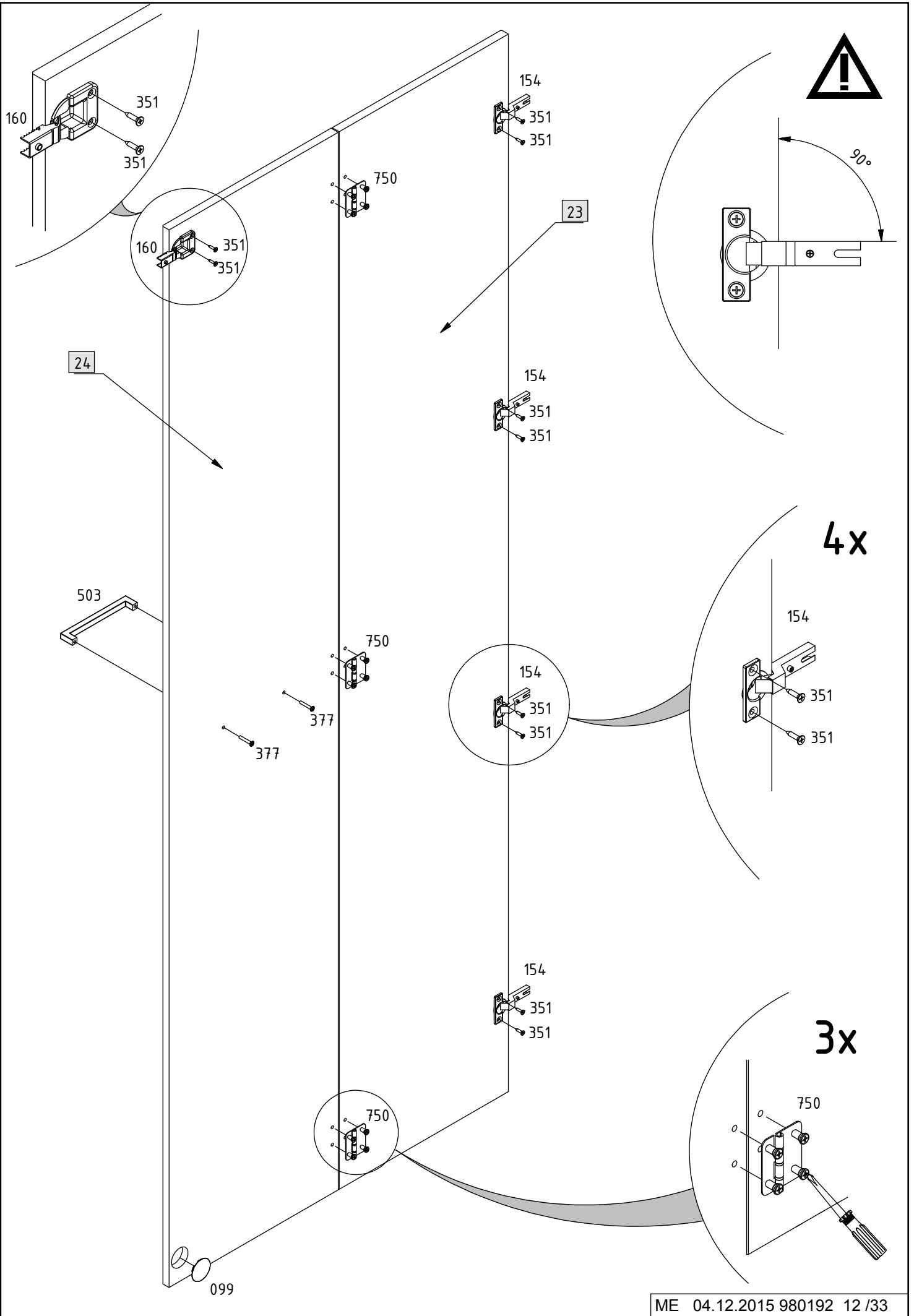


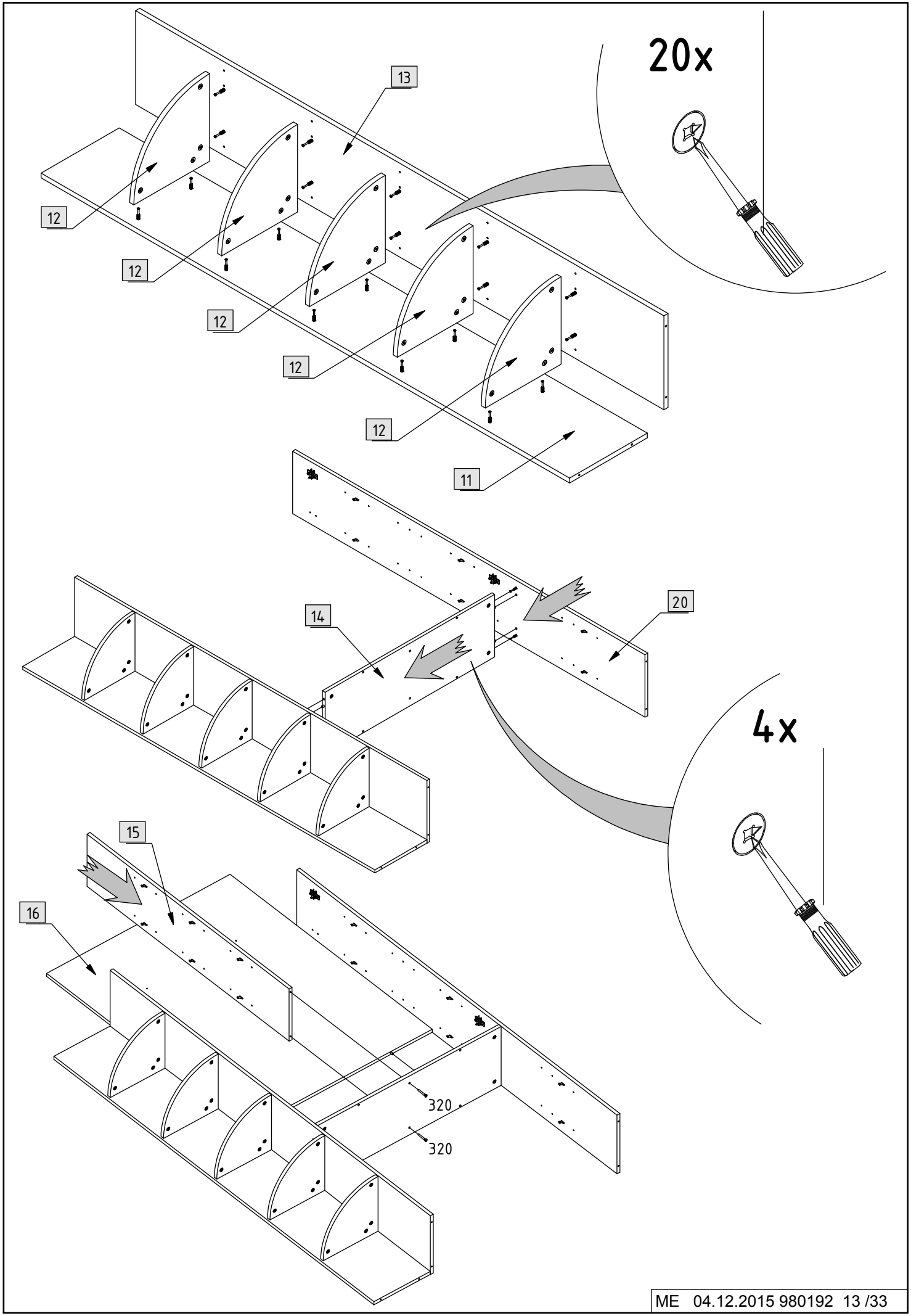




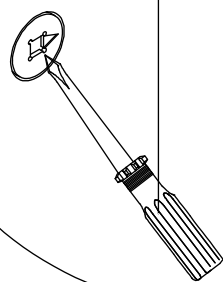




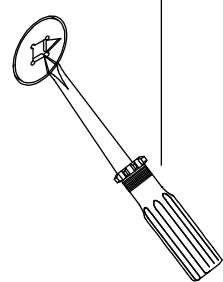


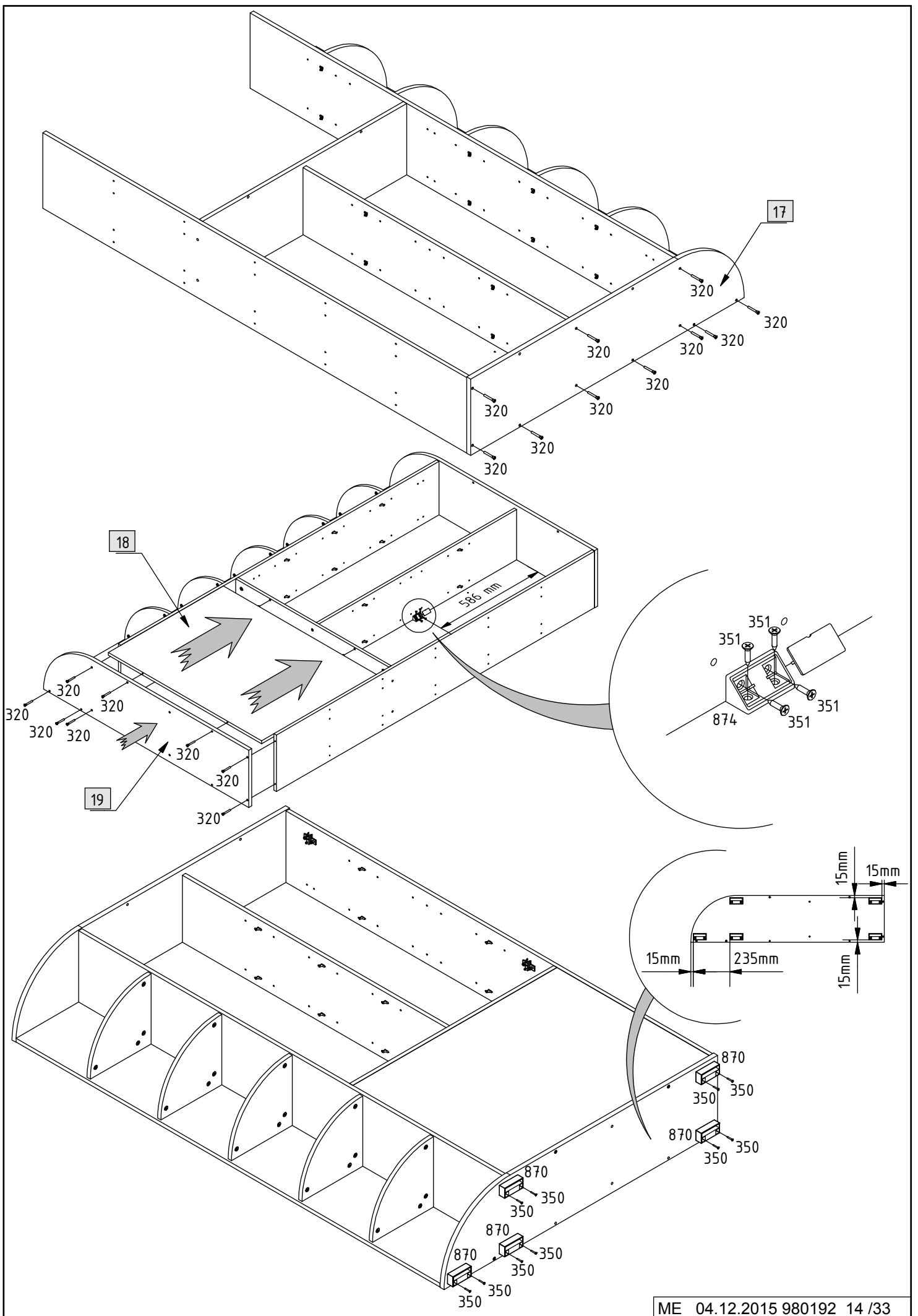


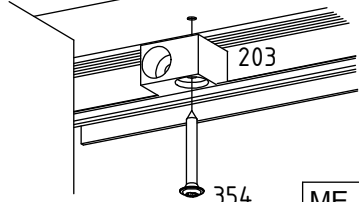
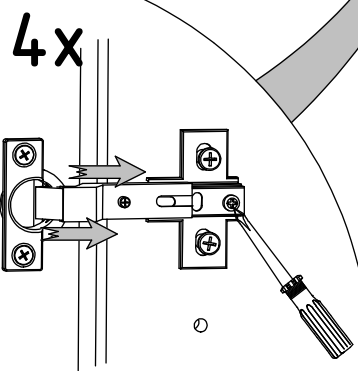
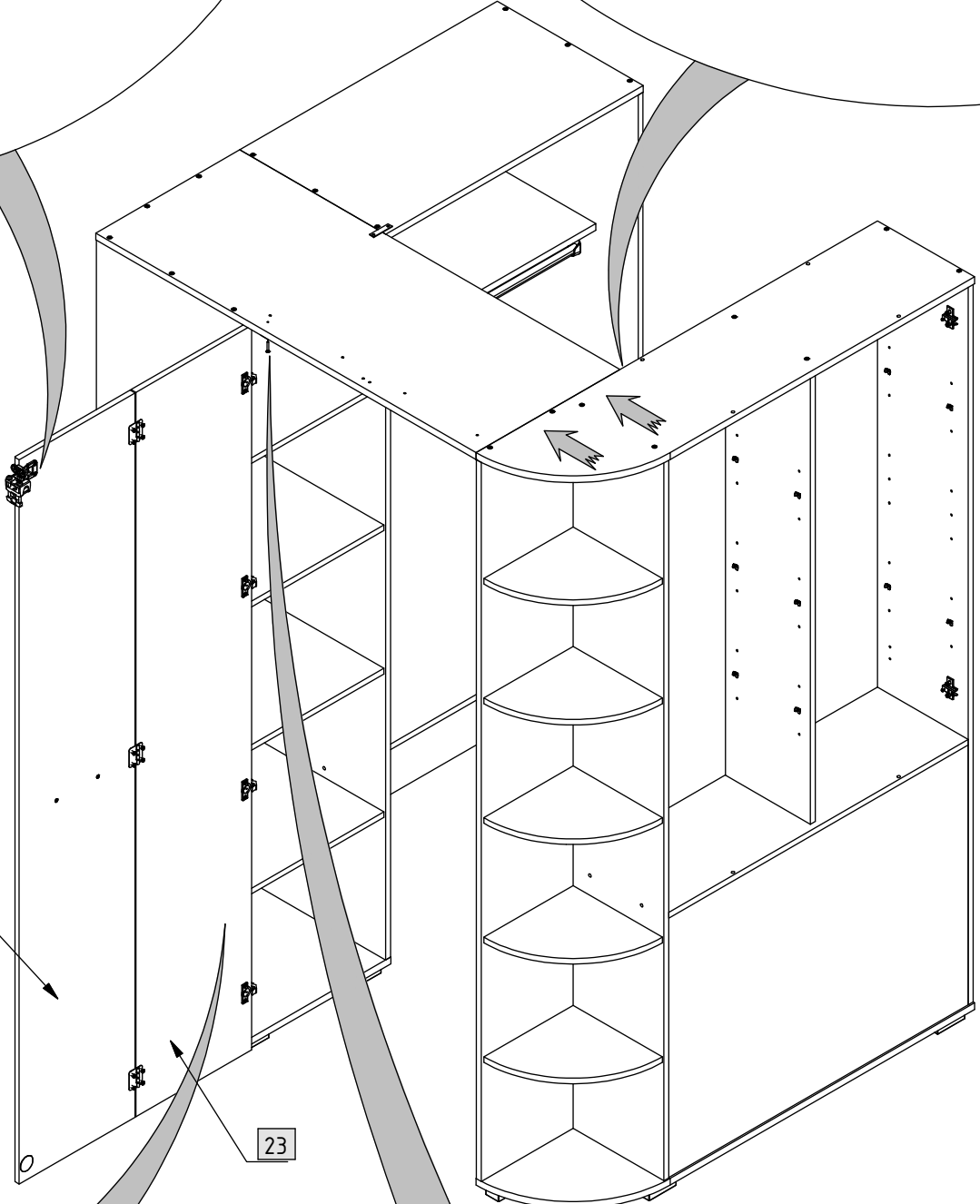
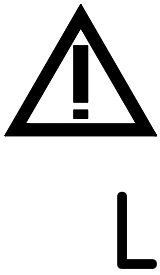
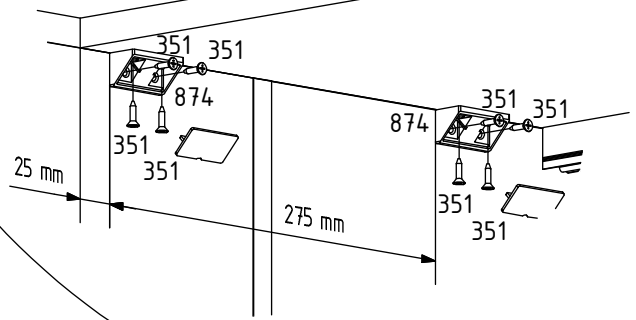
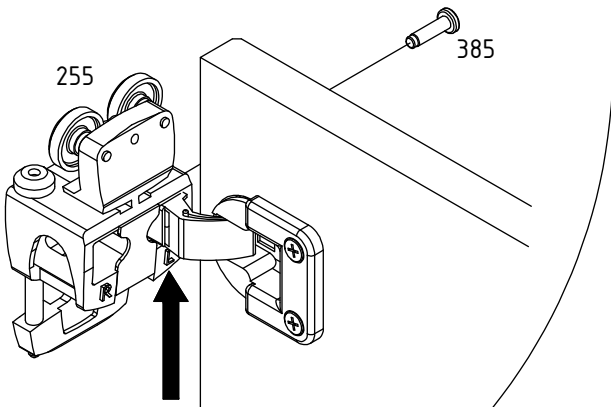
20x

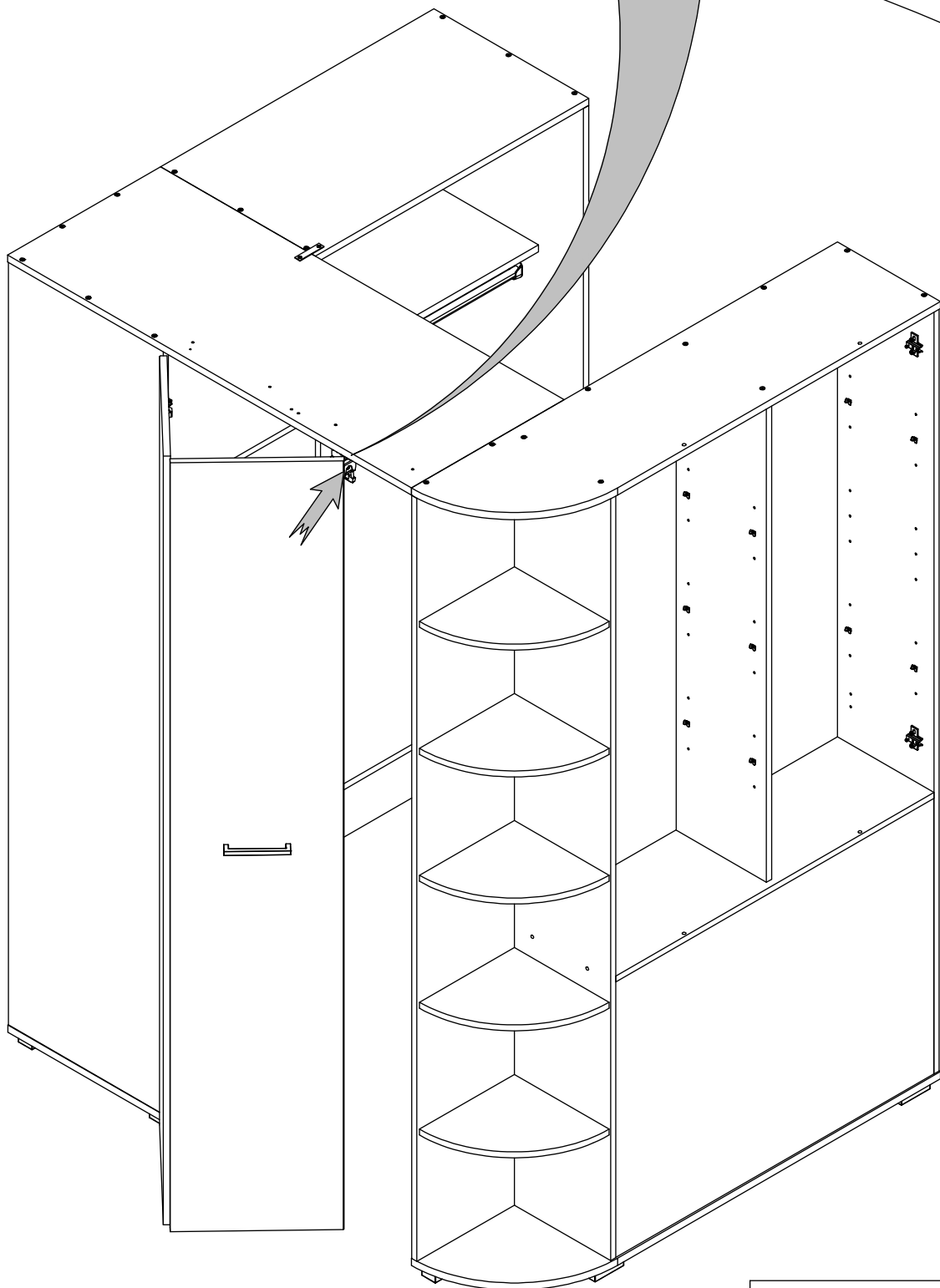
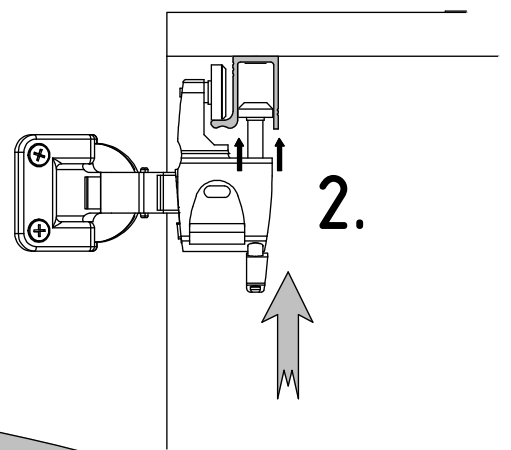
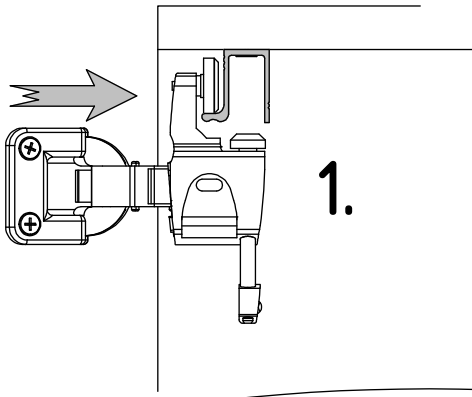


4x

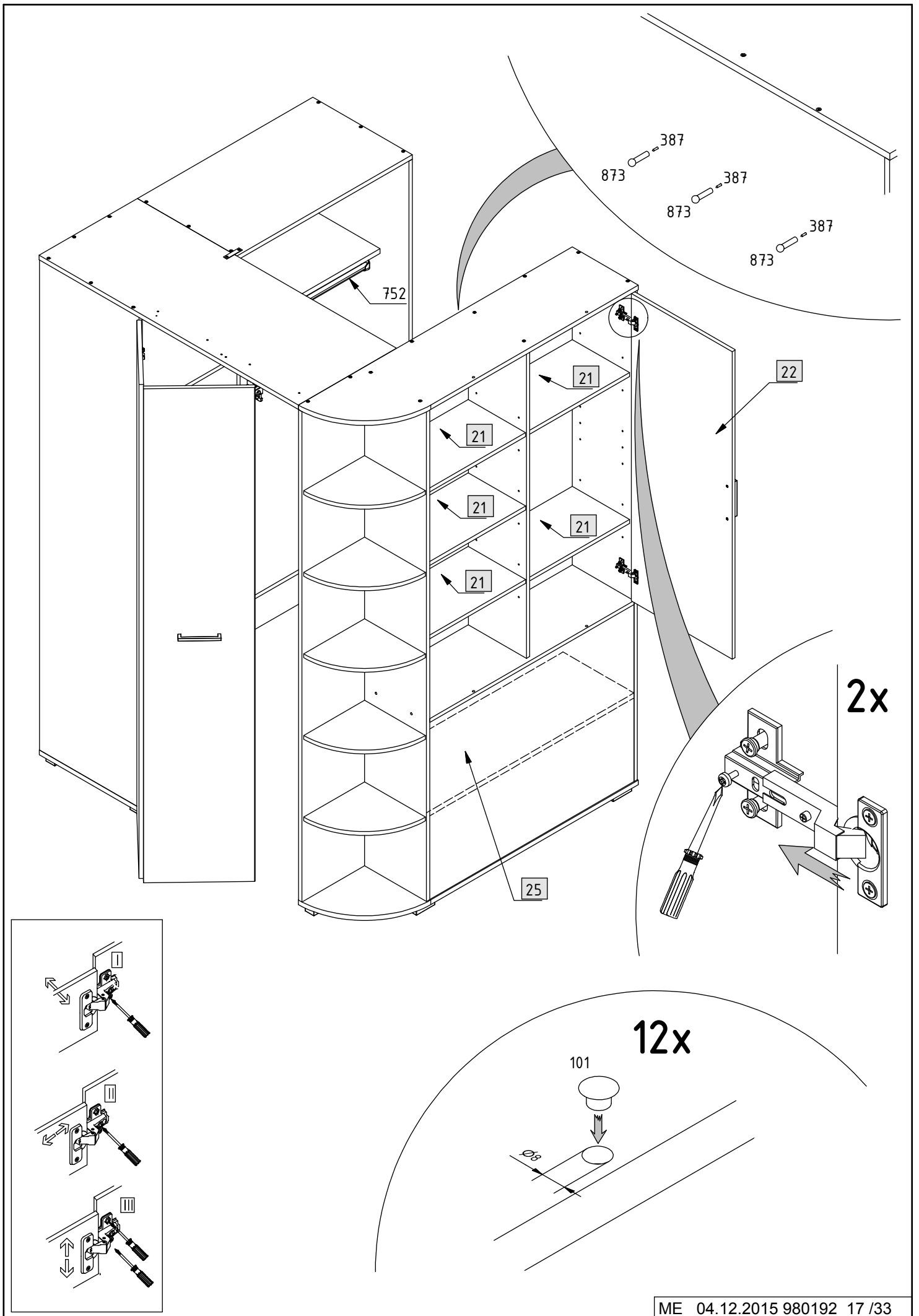




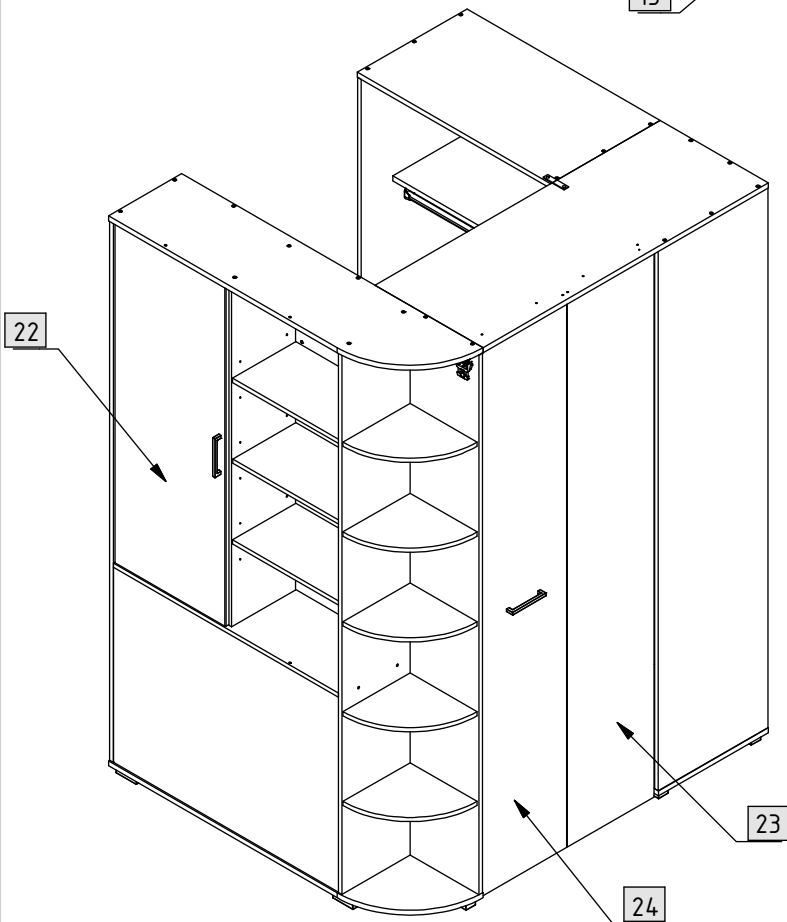
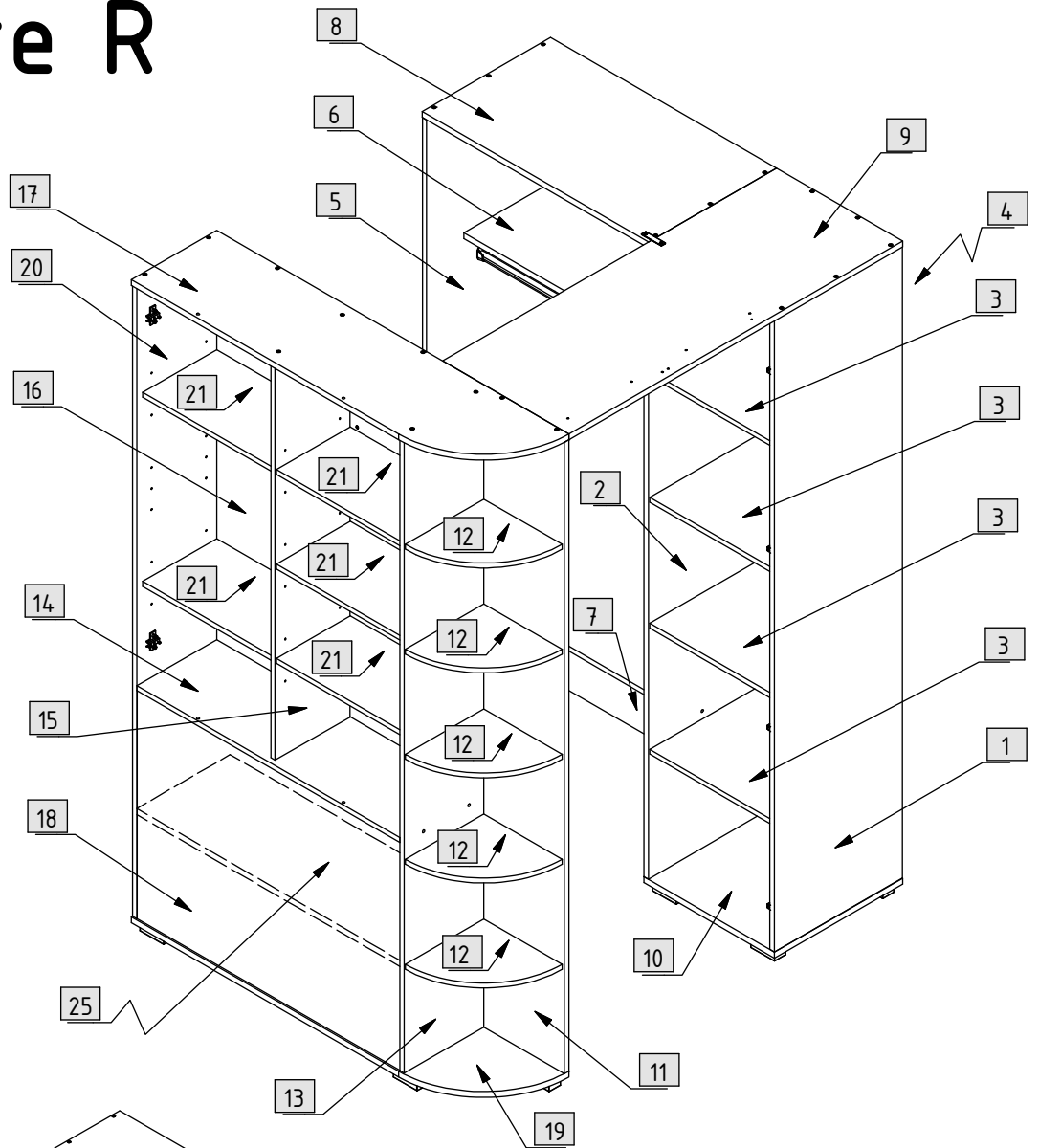


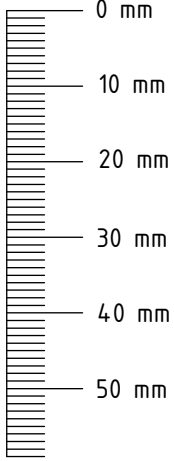
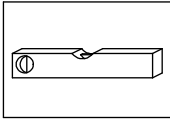
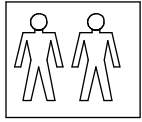






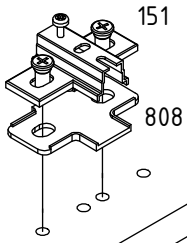
# Variante R



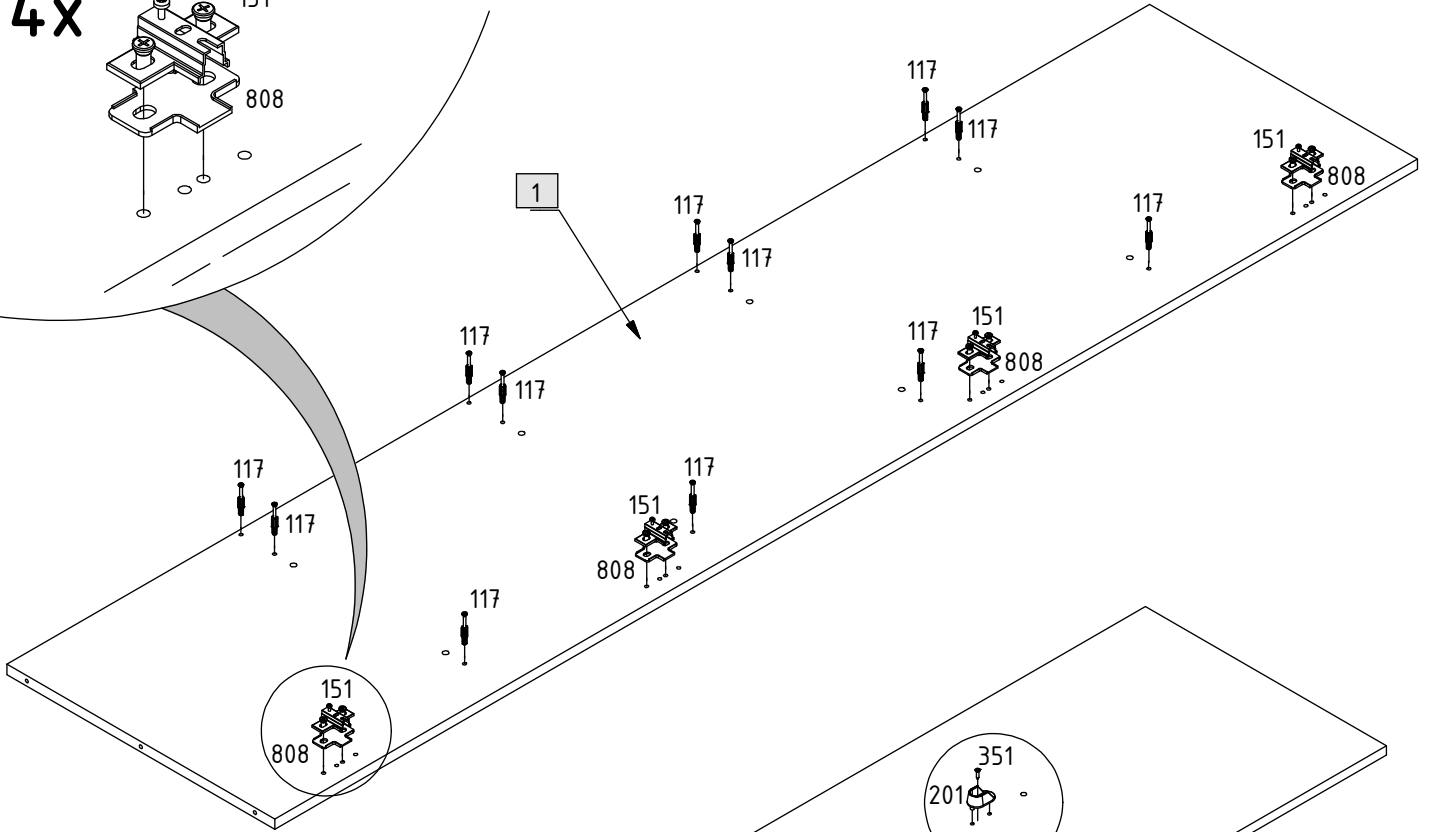


|     |    |  |     |    |  |             |
|-----|----|--|-----|----|--|-------------|
| 099 | 1  |  | 351 | 36 |  | 3,5 x 15mm  |
| 101 | 12 |  | 354 | 1  |  | 3,5 x 25 mm |
| 117 | 50 |  | 377 | 4  |  | 4 x 25 mm   |
| 120 | 50 |  | 385 | 1  |  | M4 x 18mm   |
| 150 | 2  |  | 387 | 3  |  | 4 x 30 mm   |
| 151 | 4  |  | 503 | 2  |  |             |
| 154 | 4  |  | 750 | 3  |  |             |
| 155 | 2  |  | 752 | 1  |  |             |
| 160 | 1  |  | 808 | 4  |  |             |
| 181 | 24 |  | 815 | 1  |  |             |
| 190 | 34 |  | 857 | 1  |  | Ø8 x 30mm   |
| 201 | 2  |  | 870 | 9  |  |             |
| 203 | 1  |  | 871 | 2  |  |             |
| 255 | 1  |  | 873 | 3  |  |             |
| 320 | 43 |  | 874 | 3  |  | 6,3 x 50 mm |
| 350 | 18 |  | 875 | 1  |  | 4 x 25 mm   |

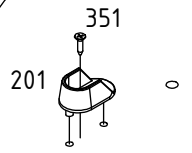
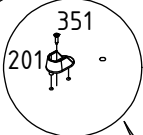
4x



1



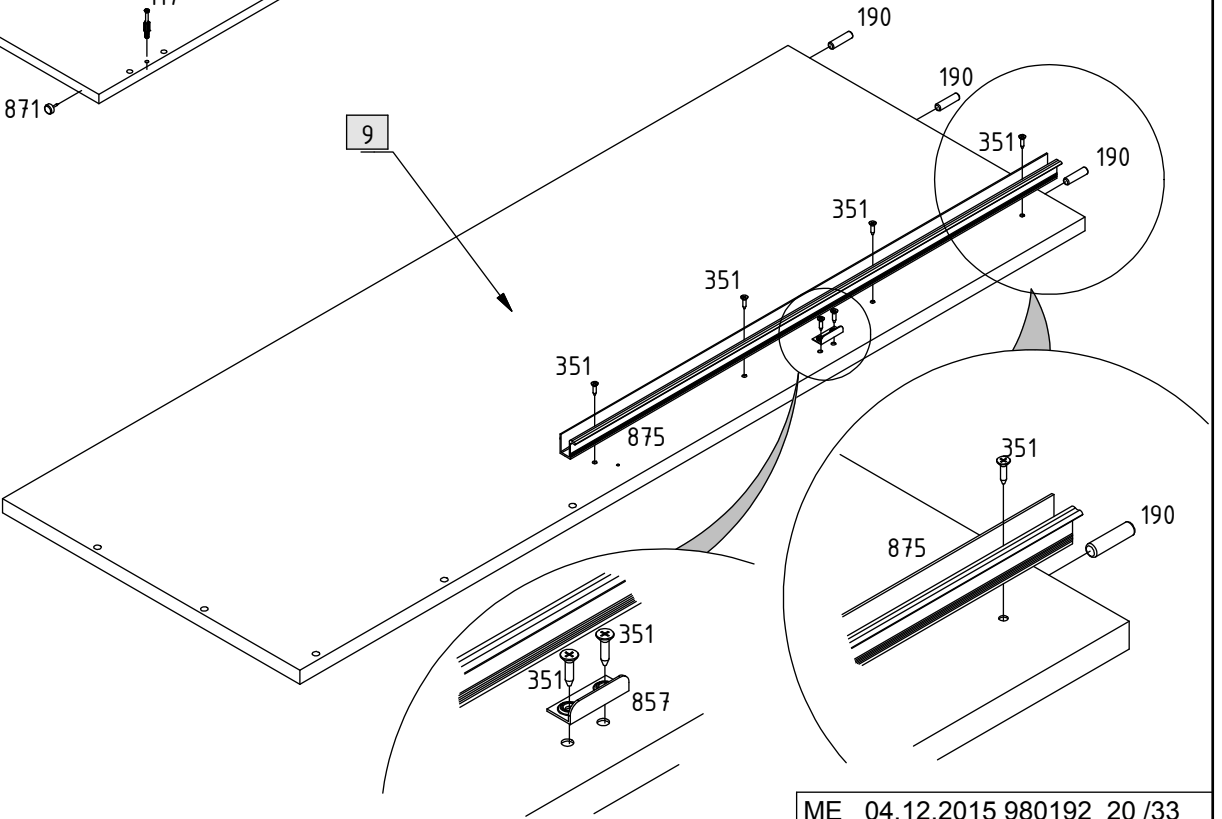
5

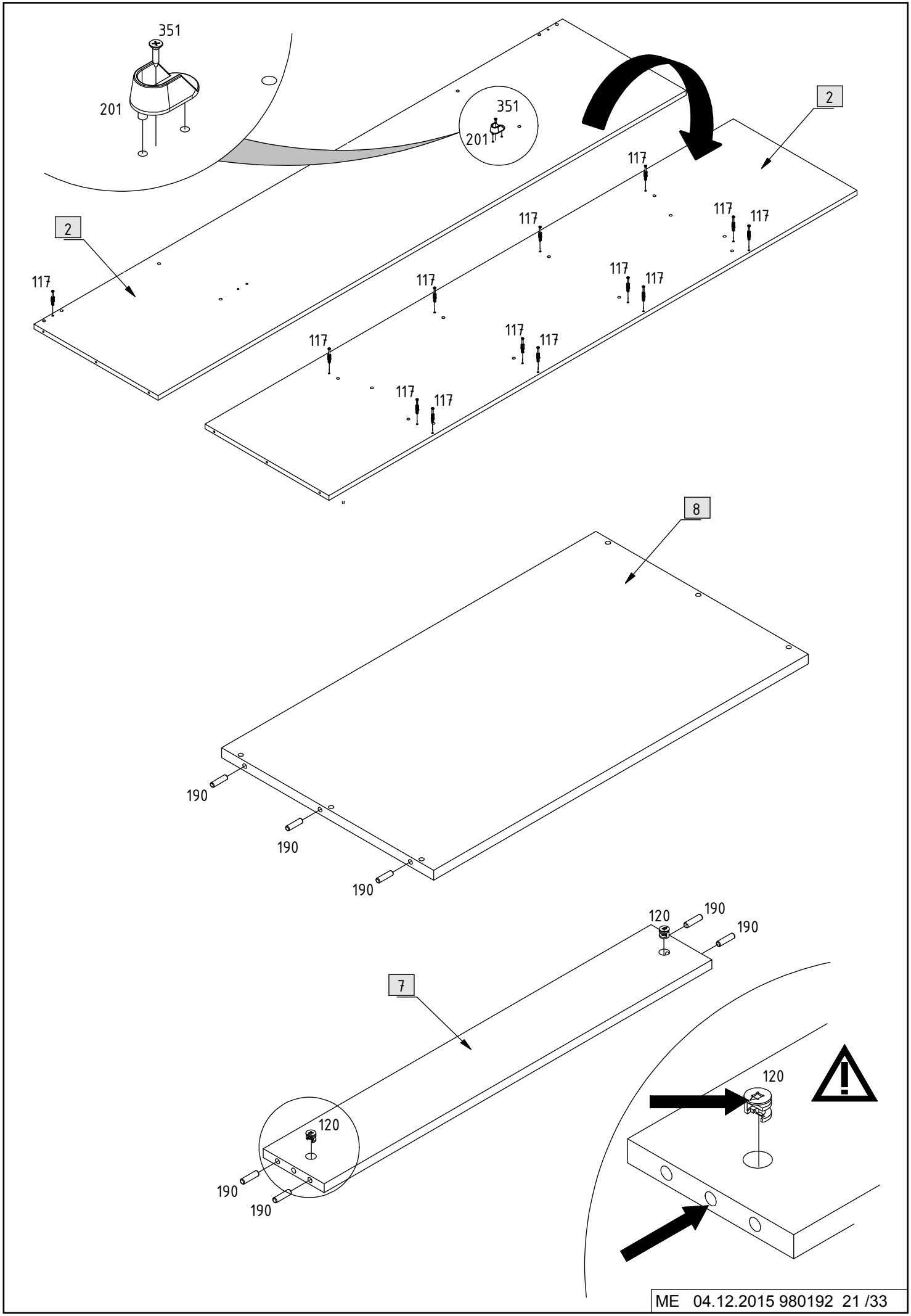


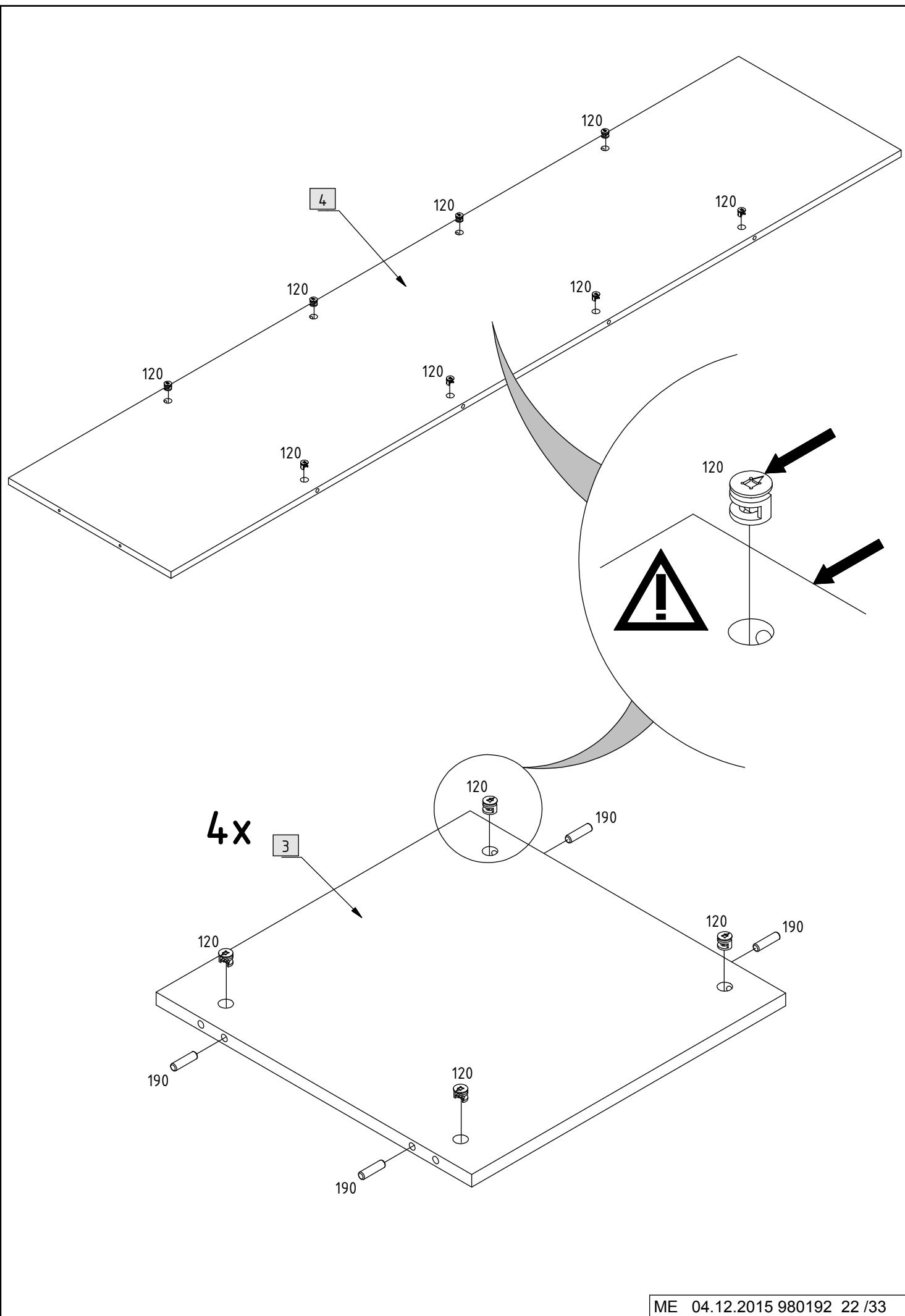
871

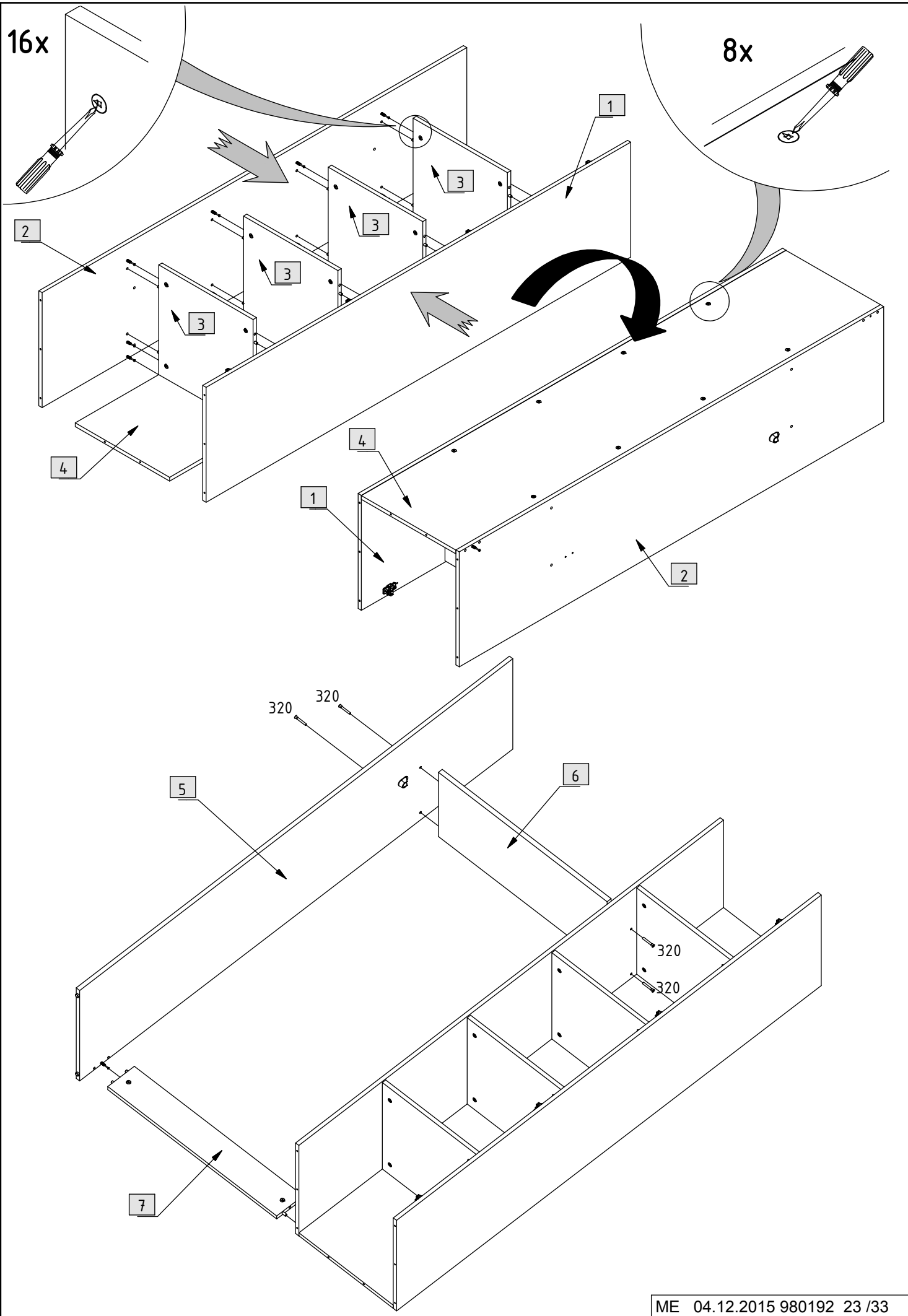
871

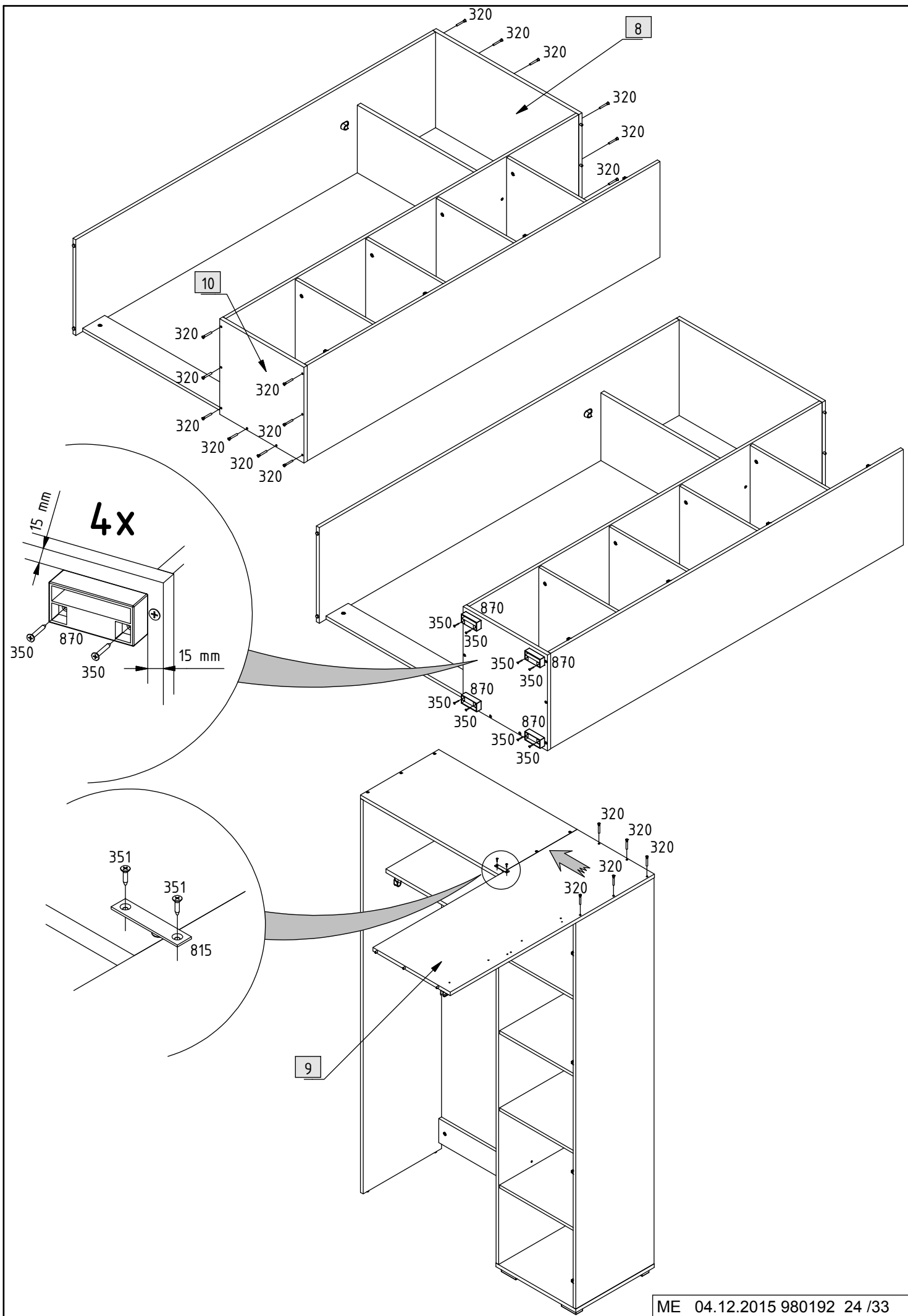
9



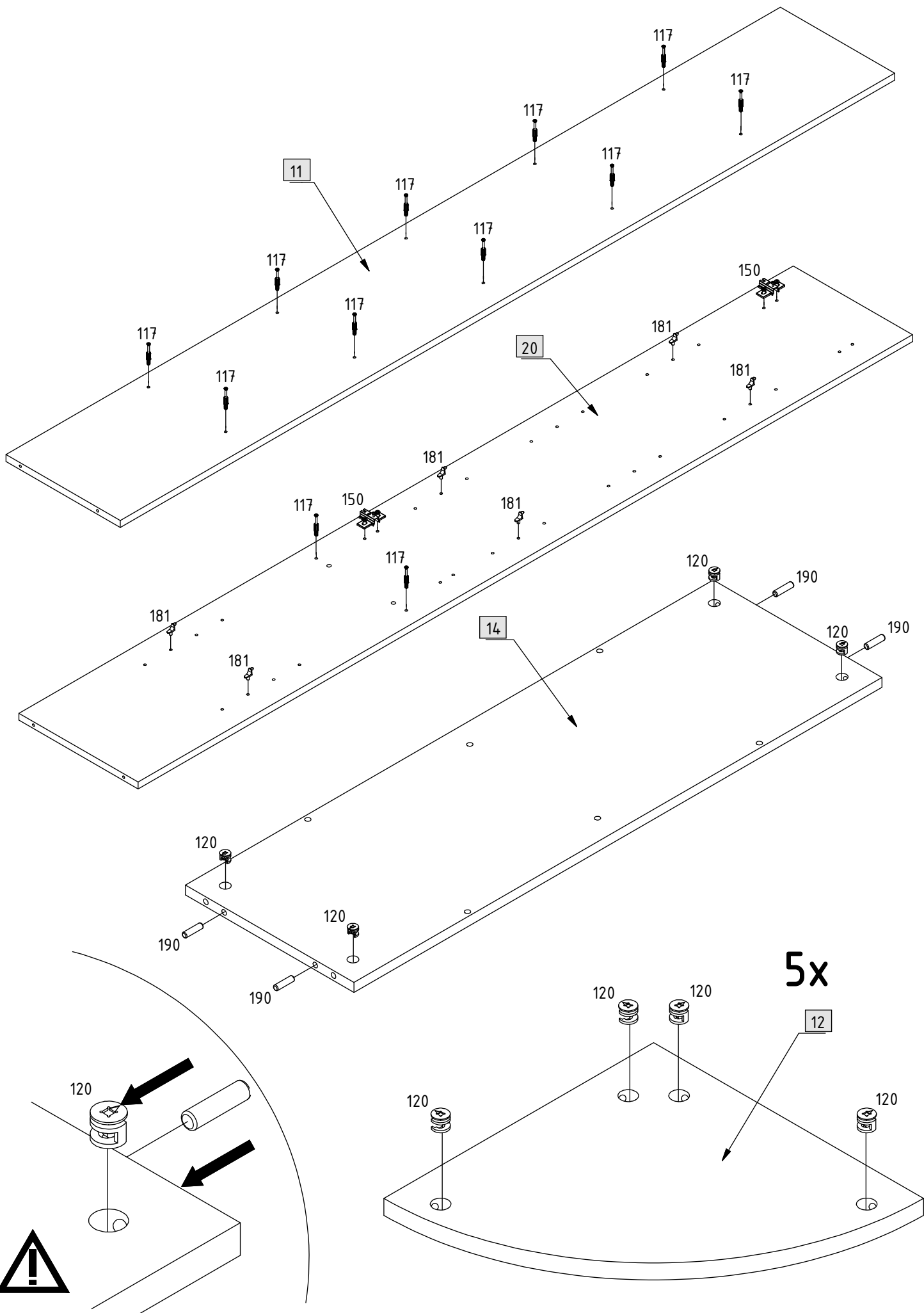


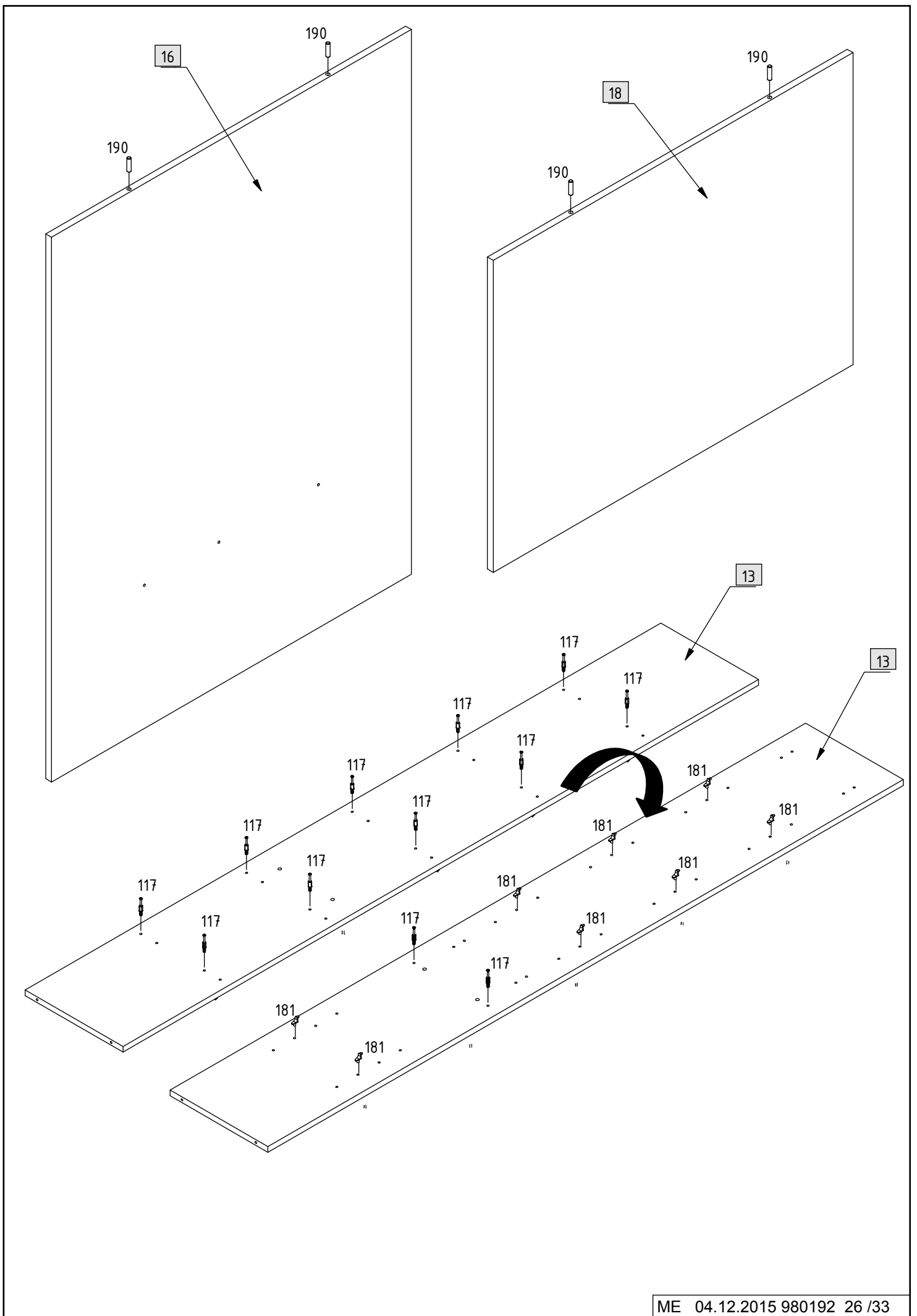


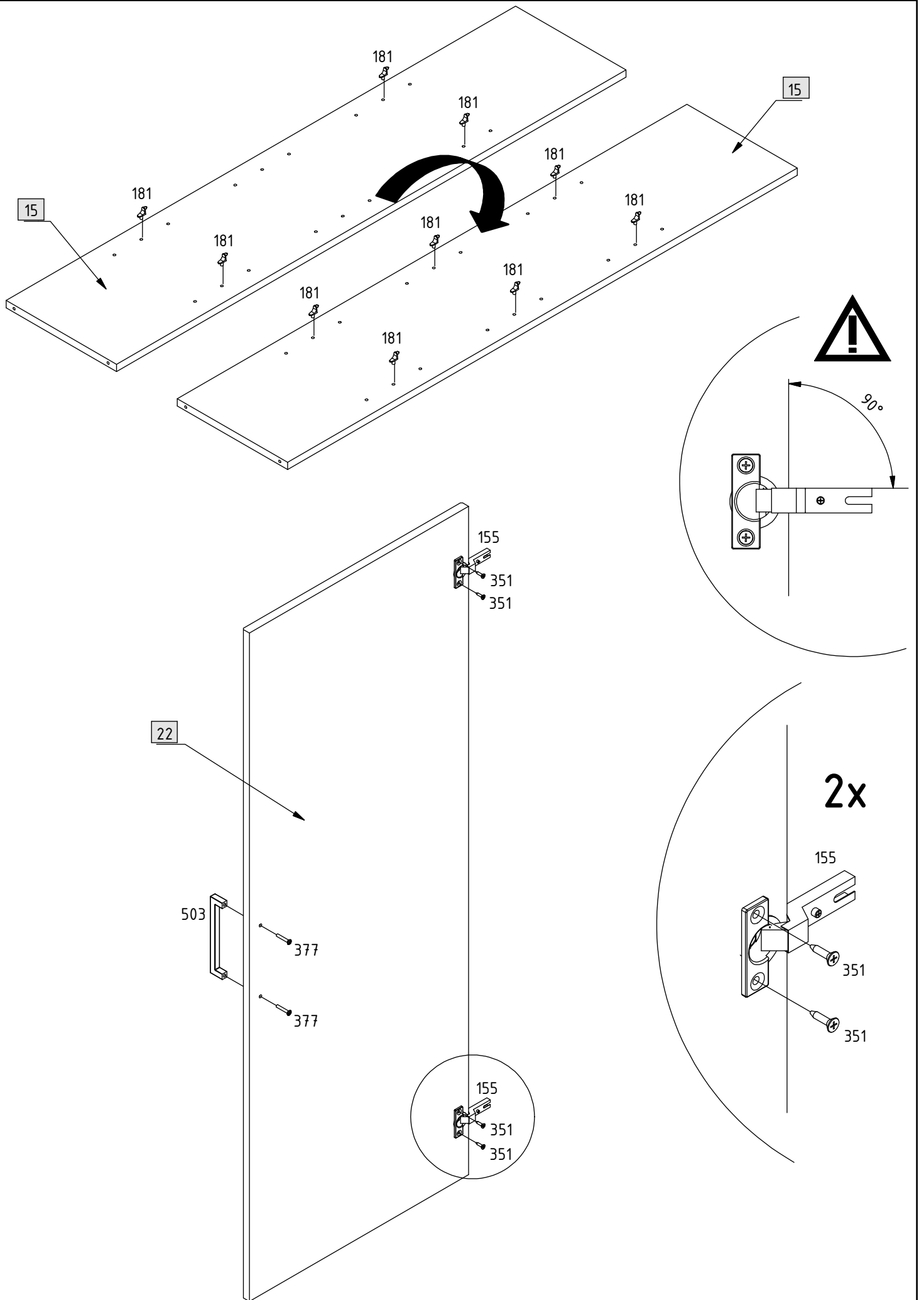


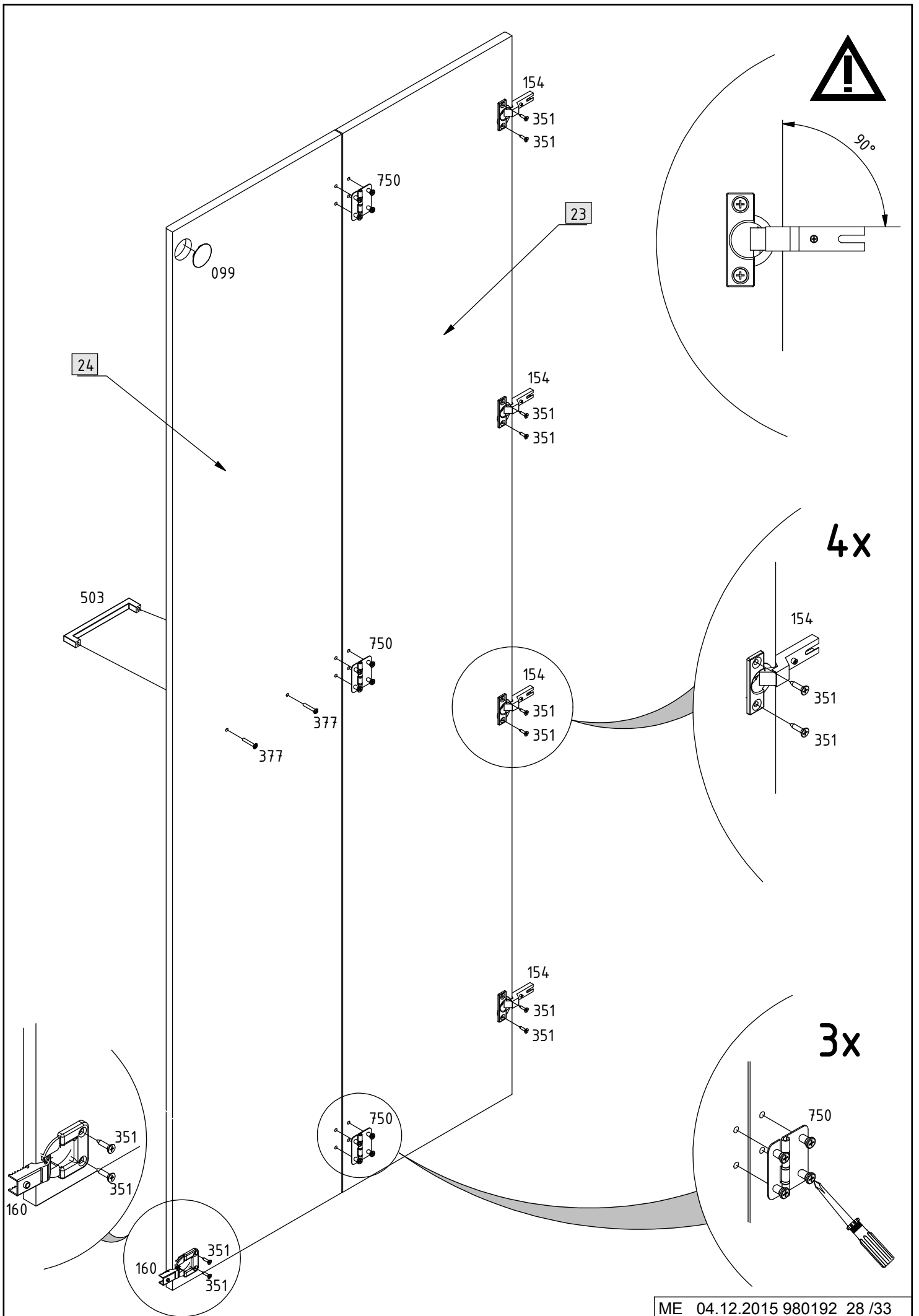


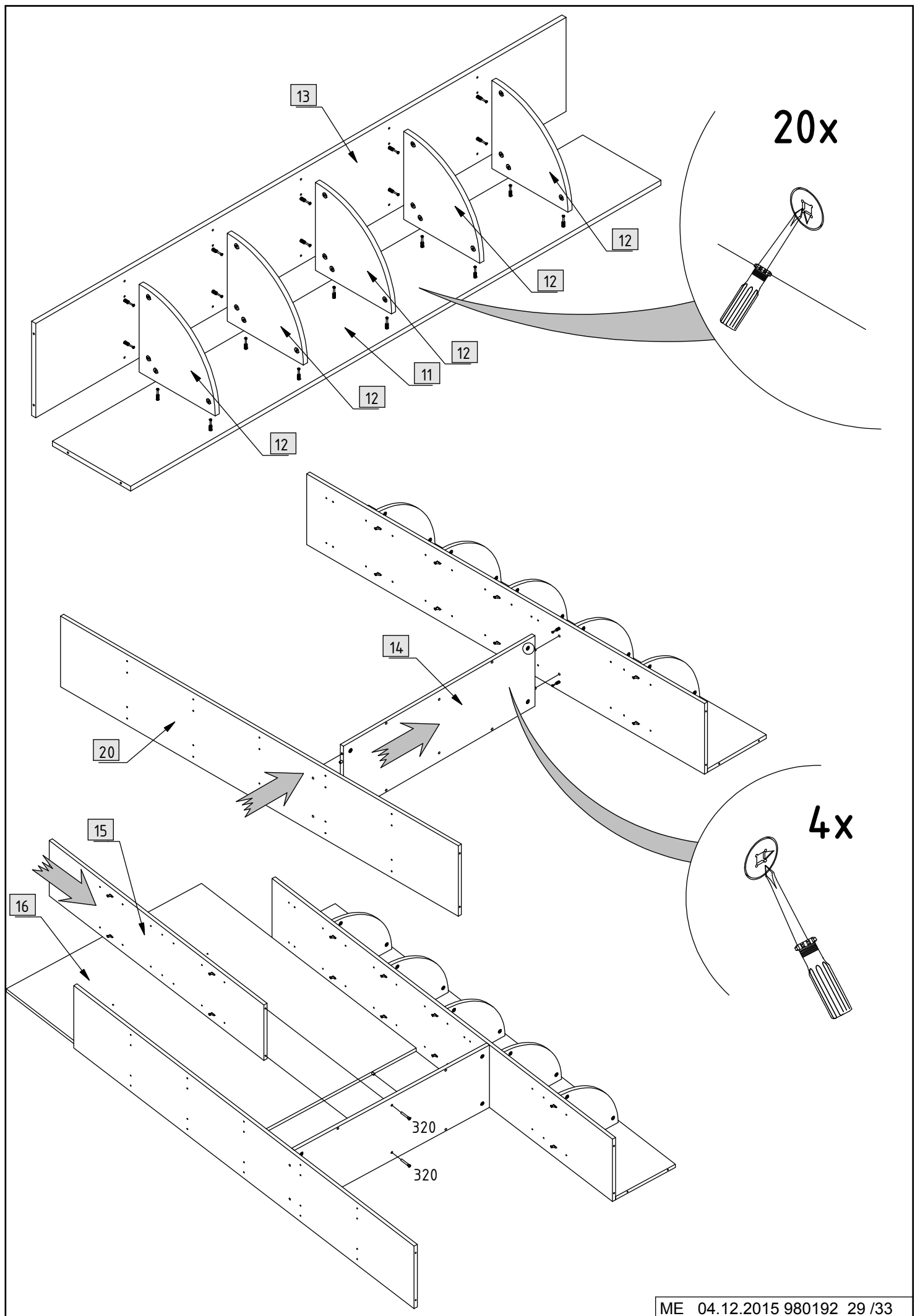


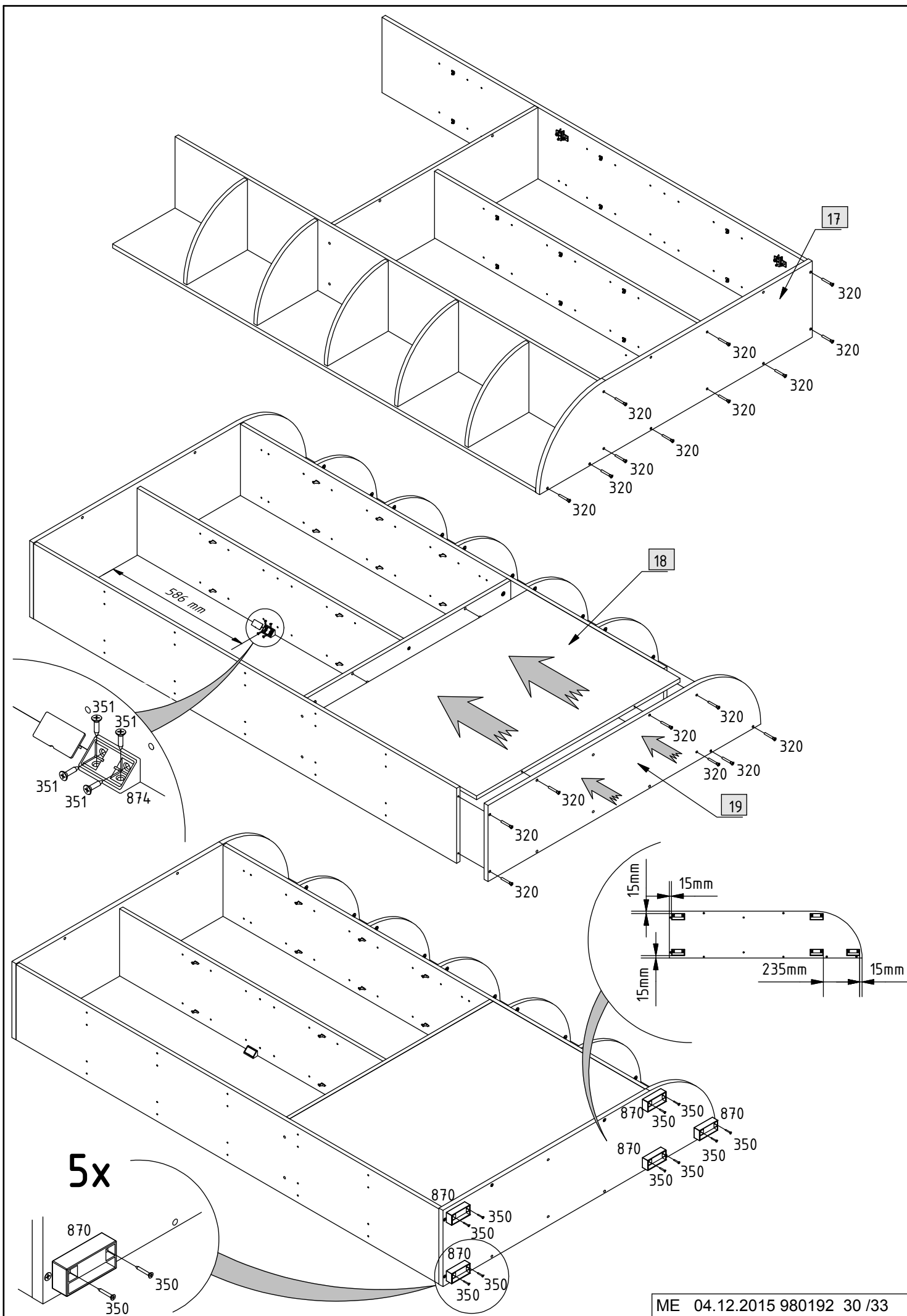


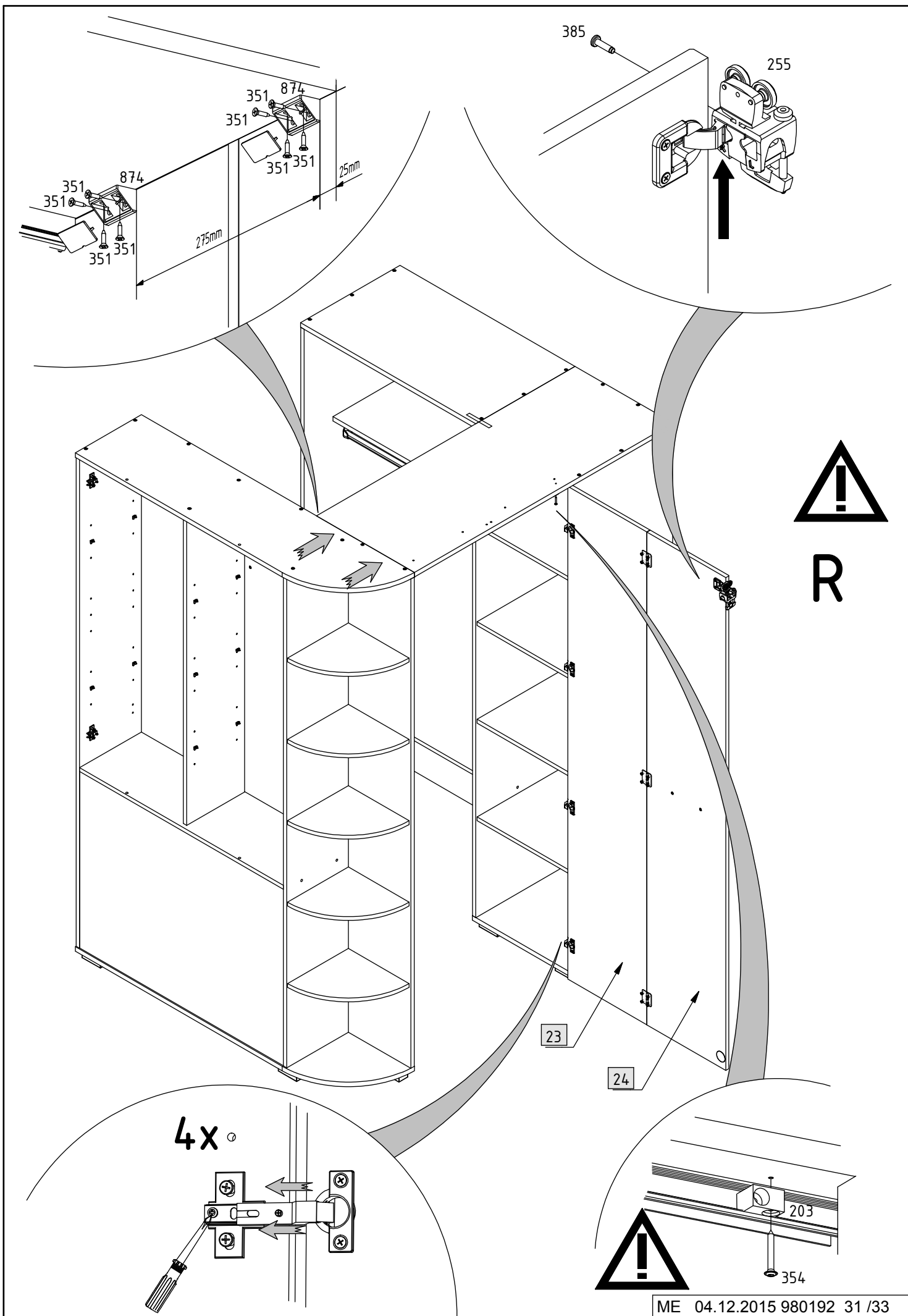




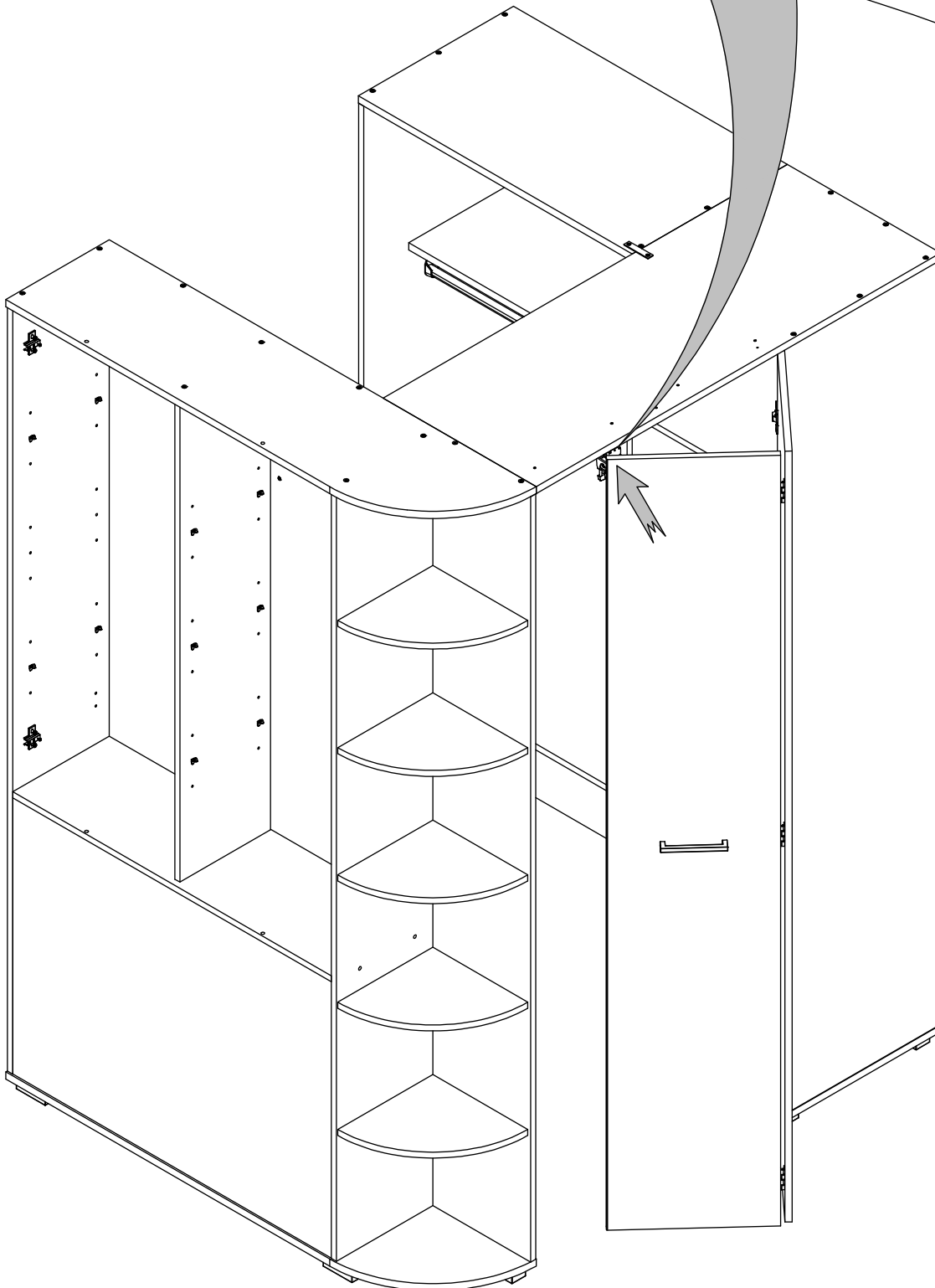
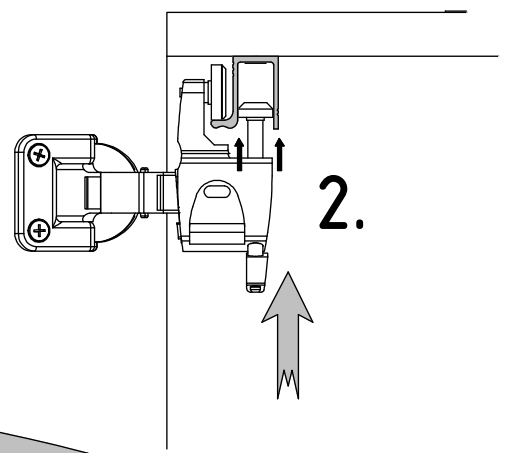
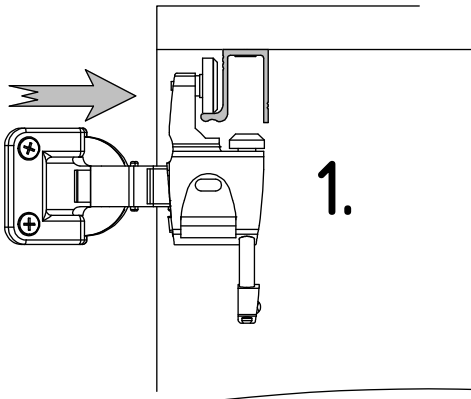




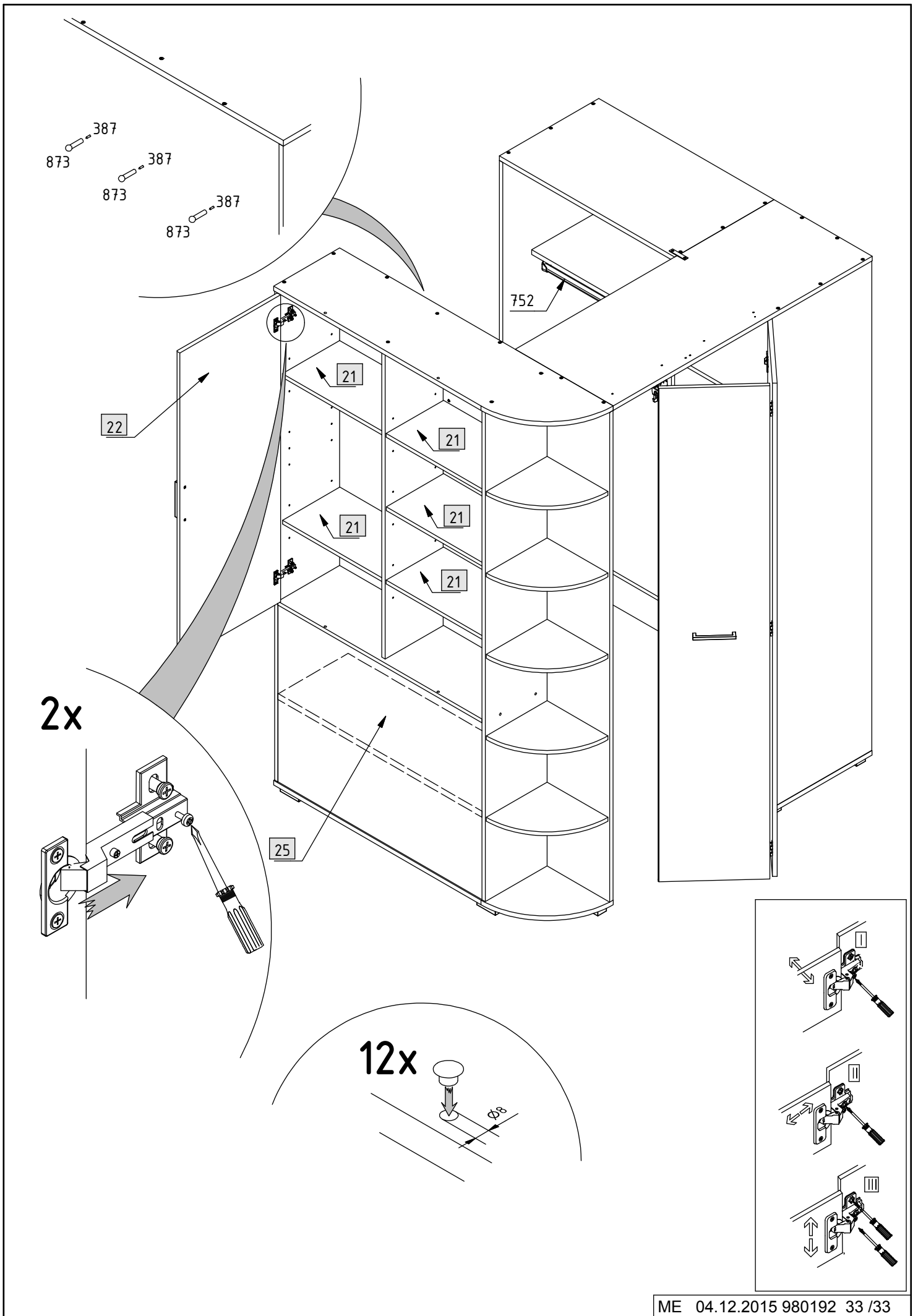




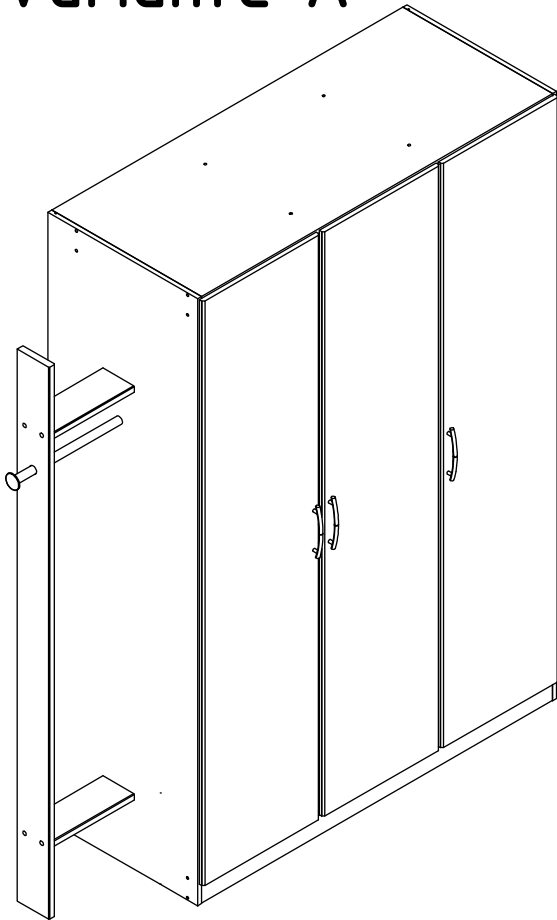
R



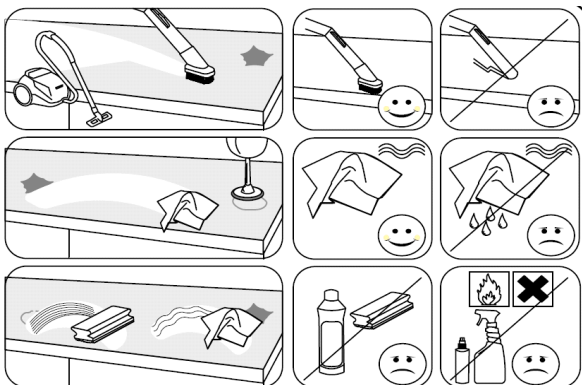
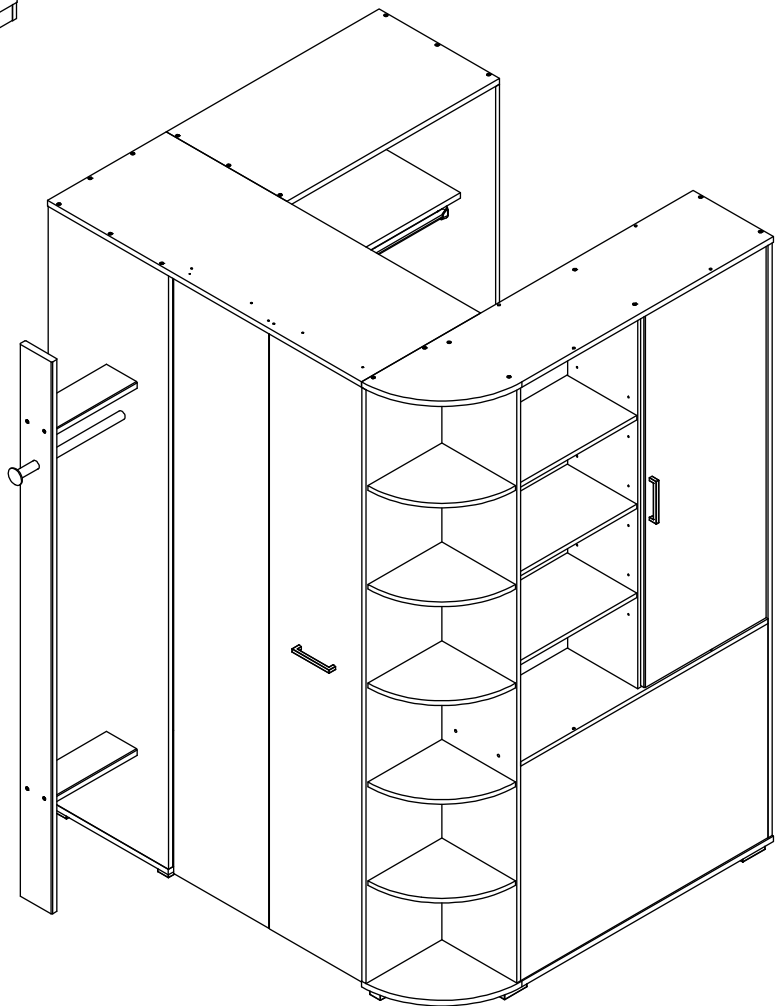


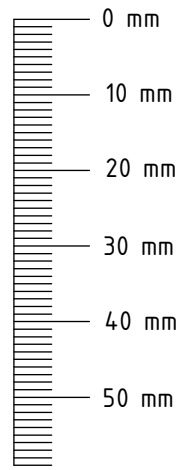
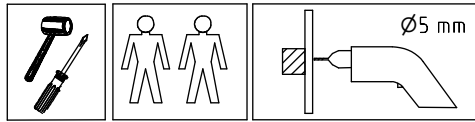


## Variante A

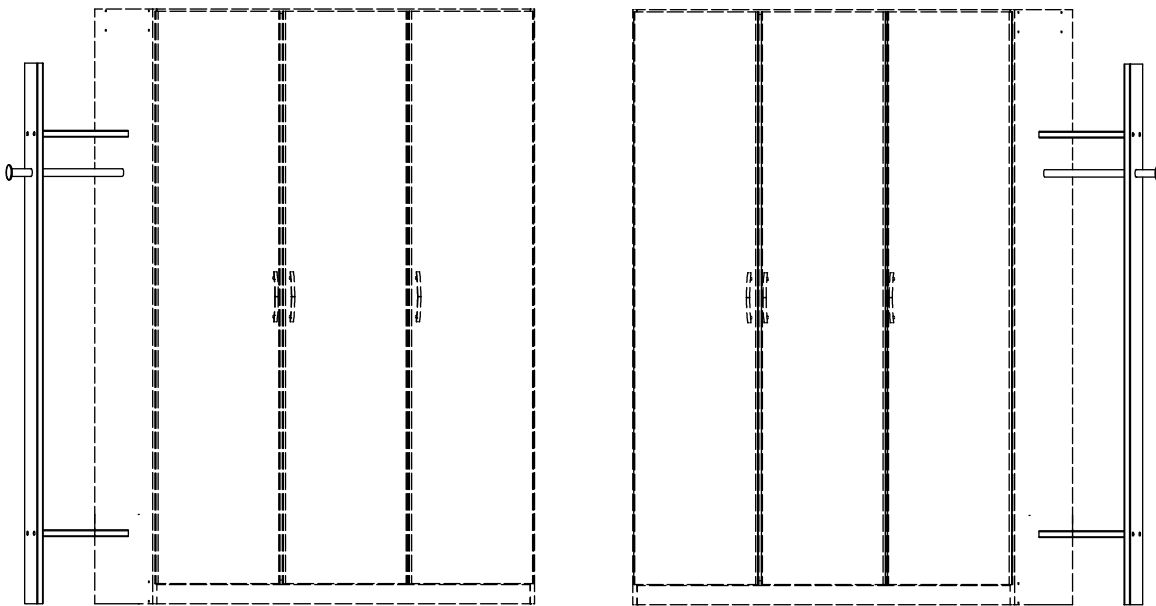



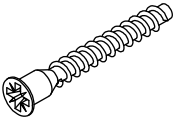


## Variante B

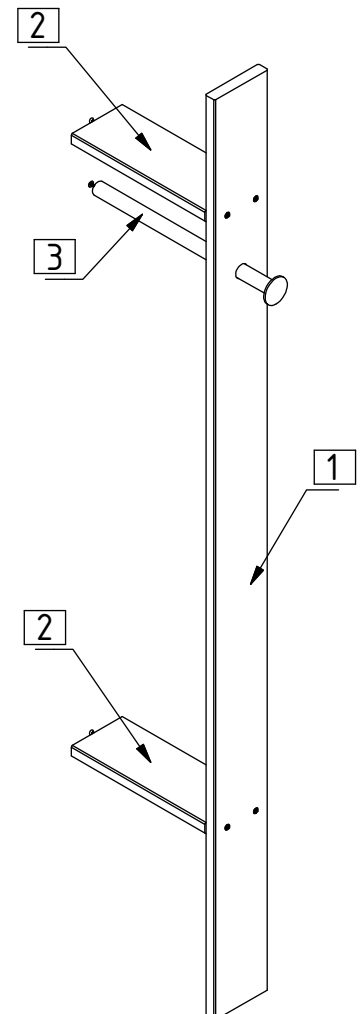


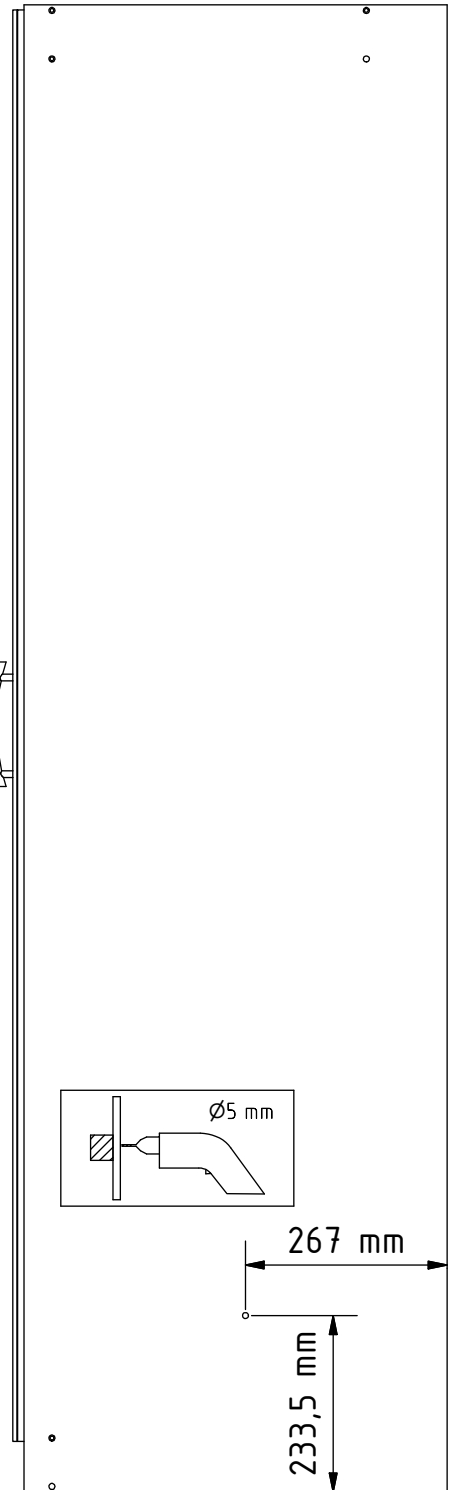
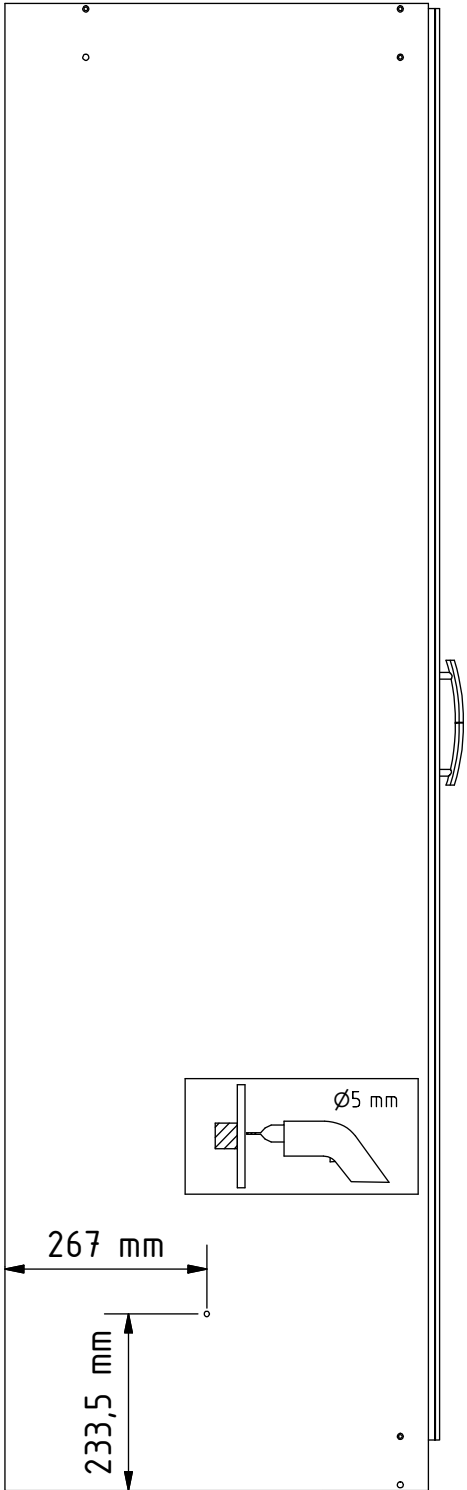
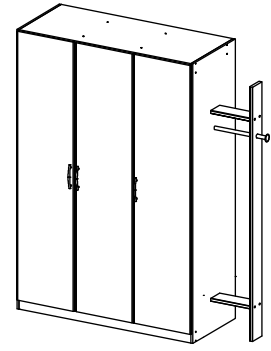
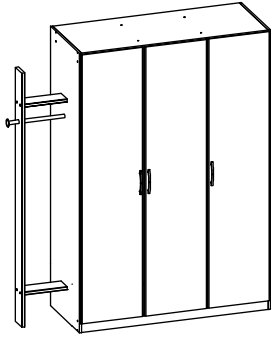


# Variante A

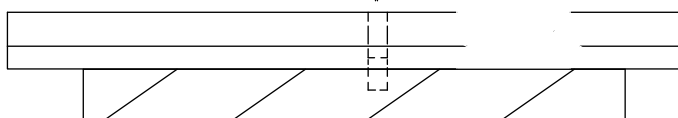


|     |     |   |           |
|-----|-----|---|-----------|
| 102 | 4 x |  | 6,3x50 mm |
| 320 | 4 x |  | 3x15 mm   |
| 374 | 2 x |  | 4,5x80 mm |
| 417 | 1 x |  | M4x60 mm  |

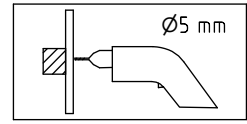
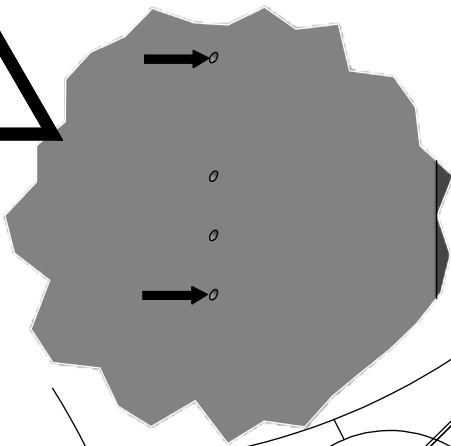




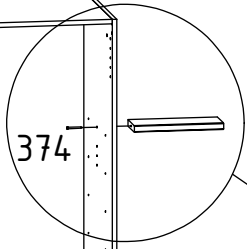
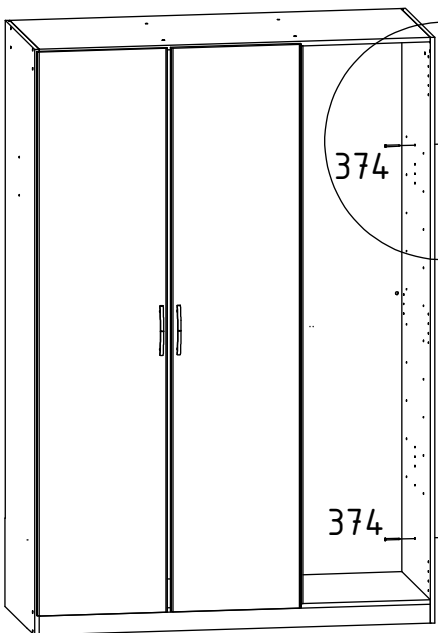
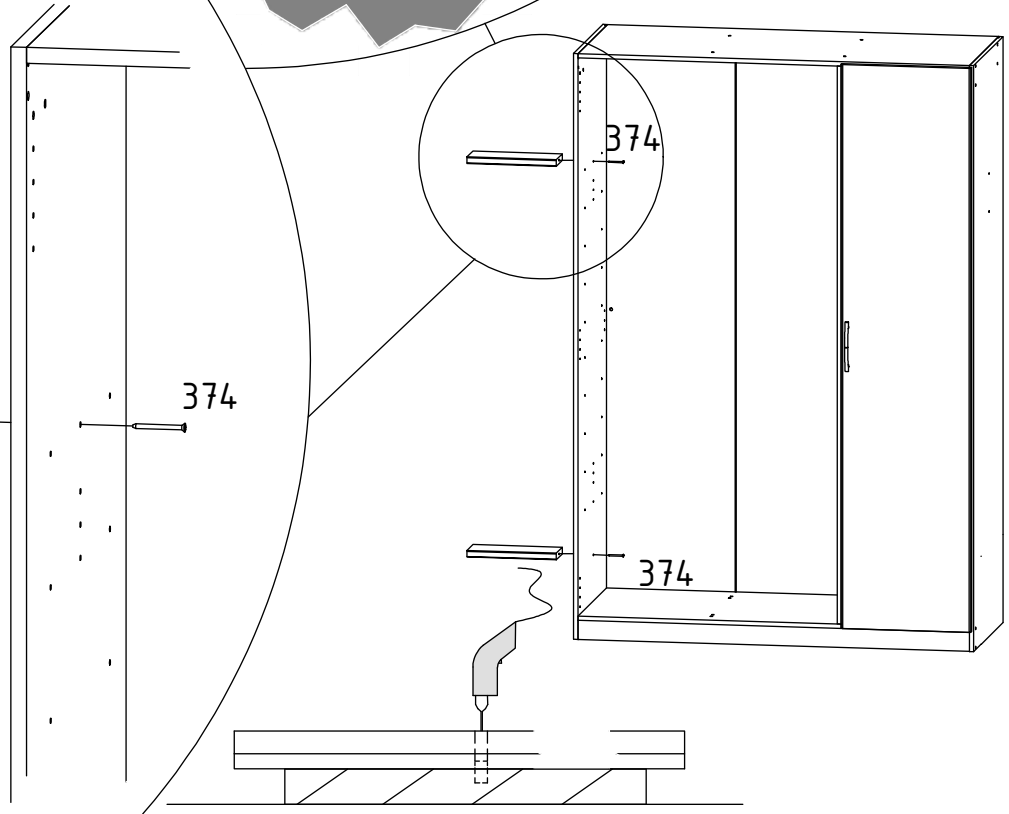
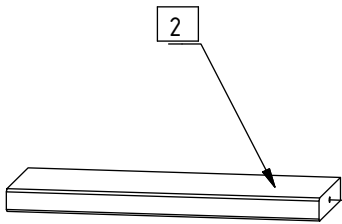
Ø5mm



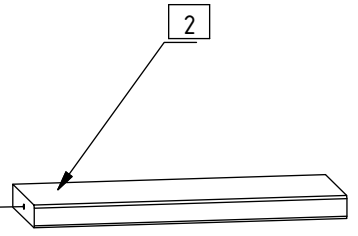
1.

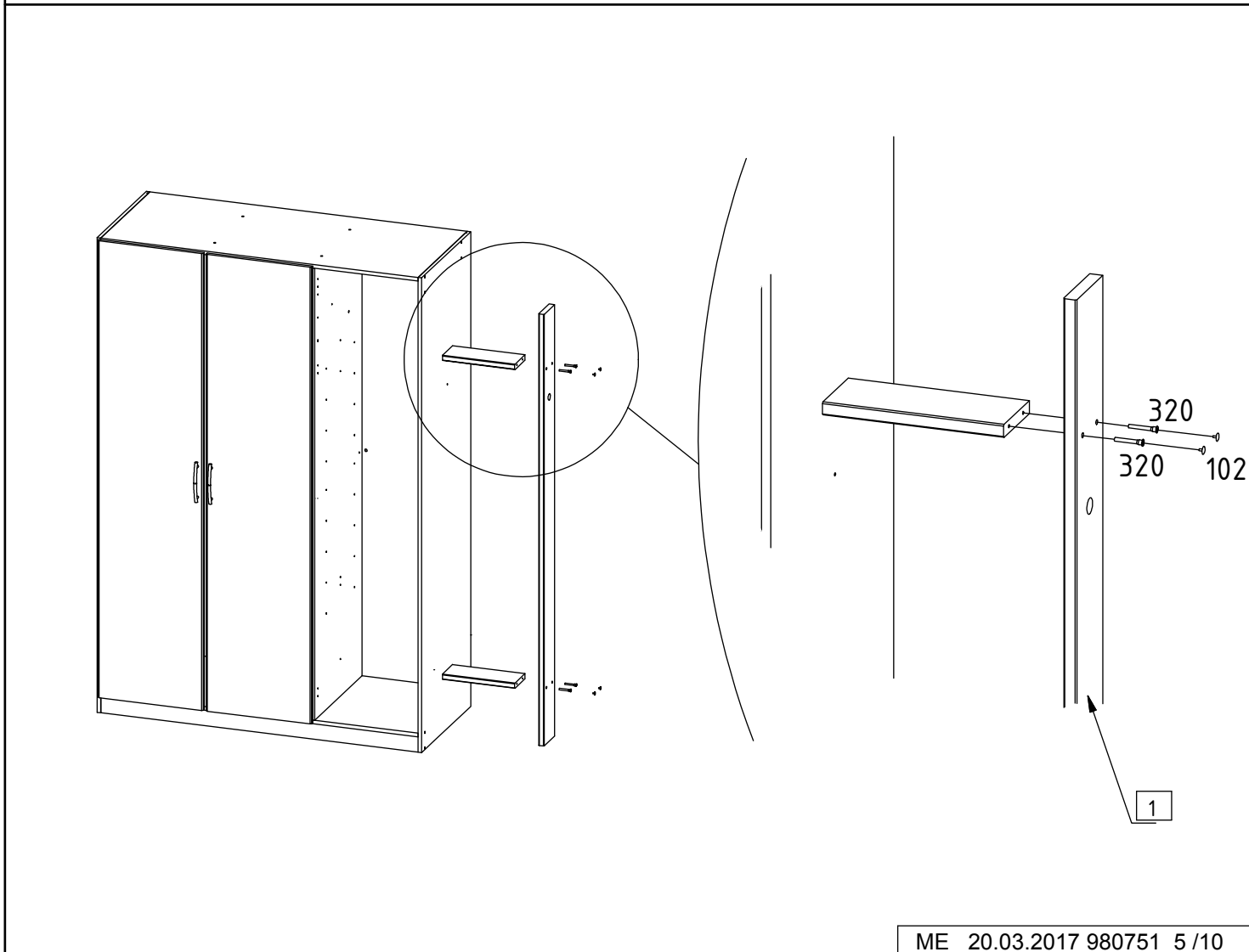
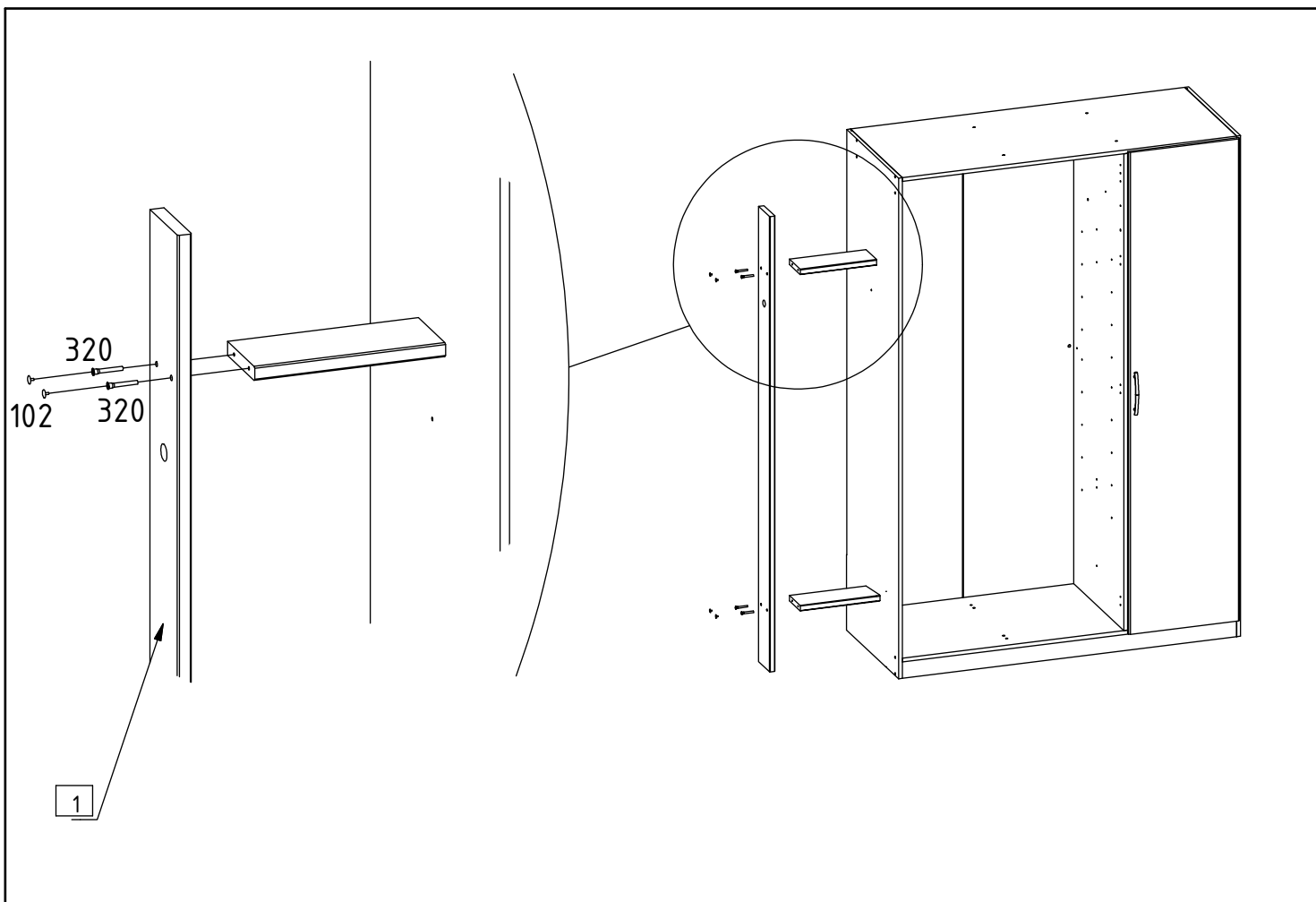


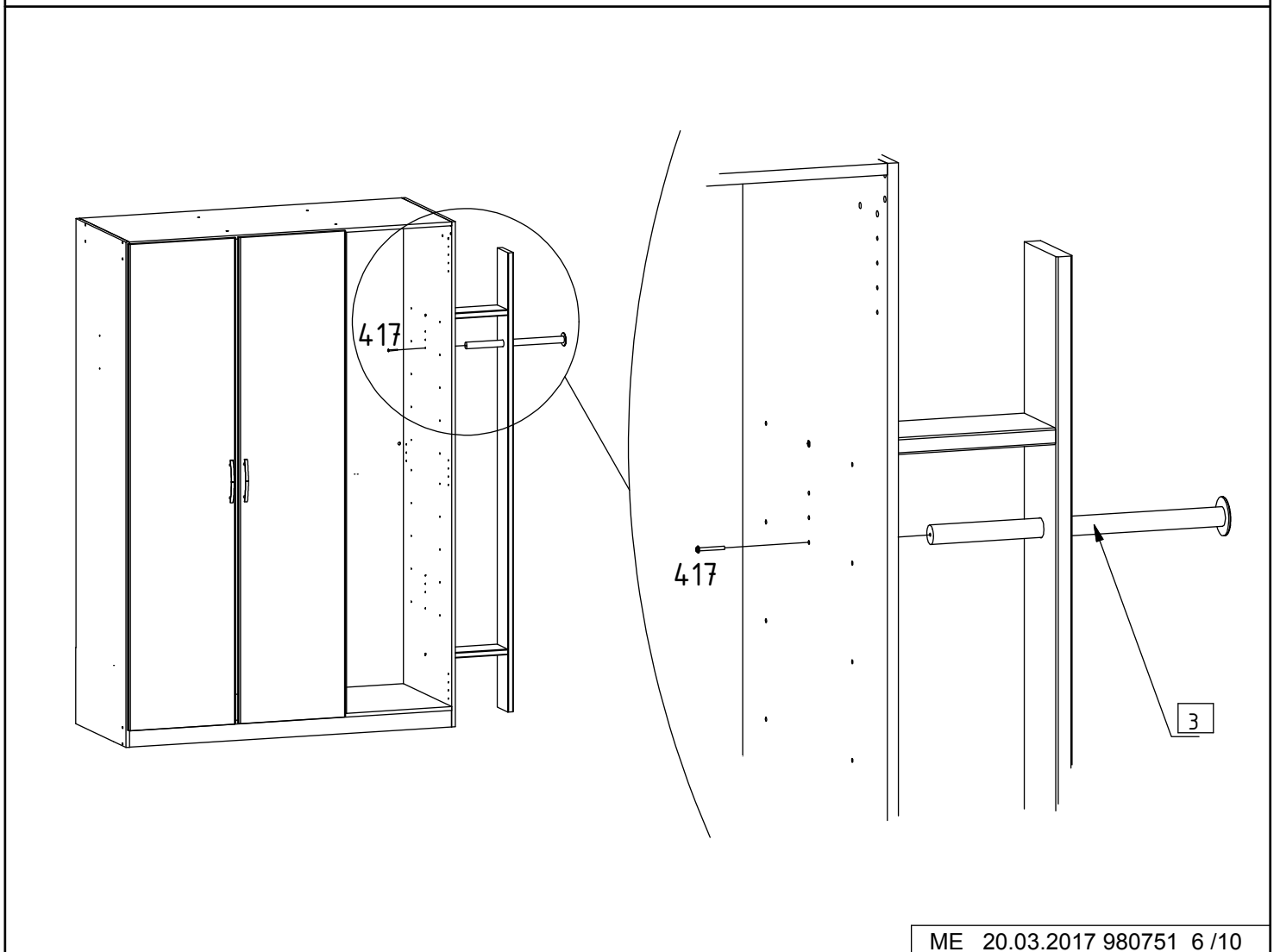
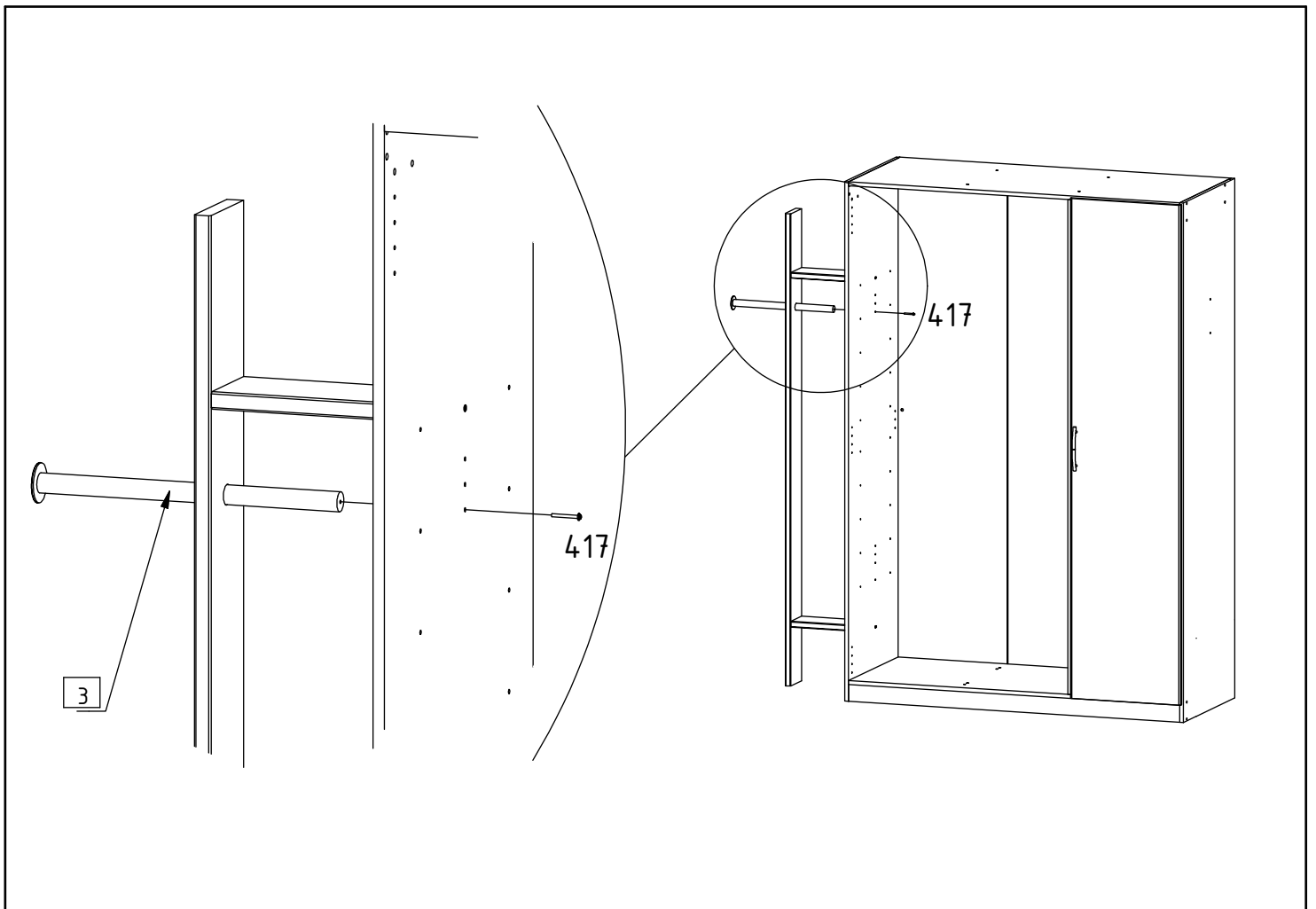
2.

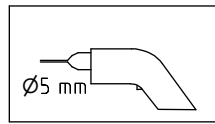
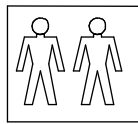
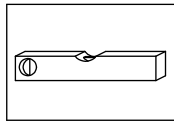


374

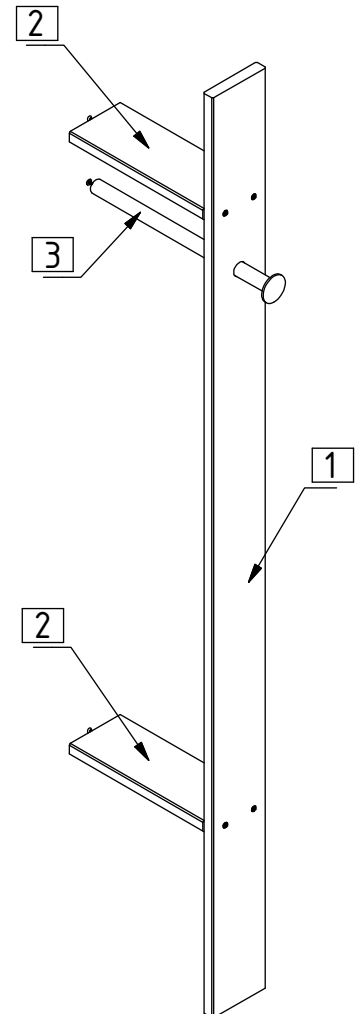
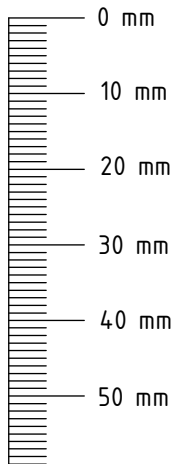
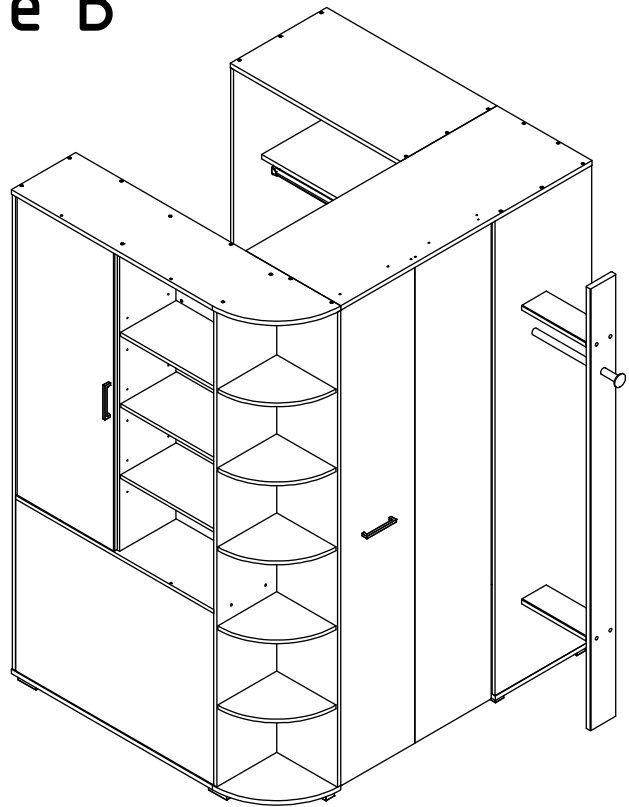
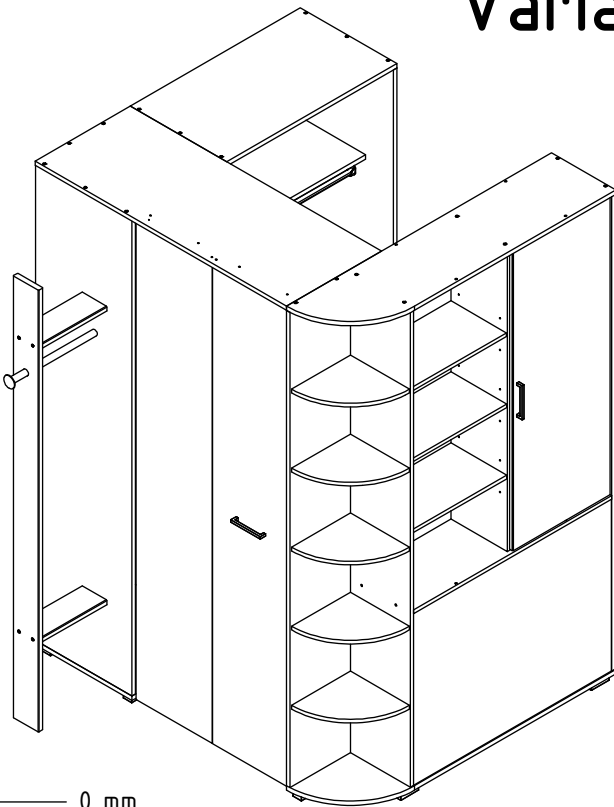






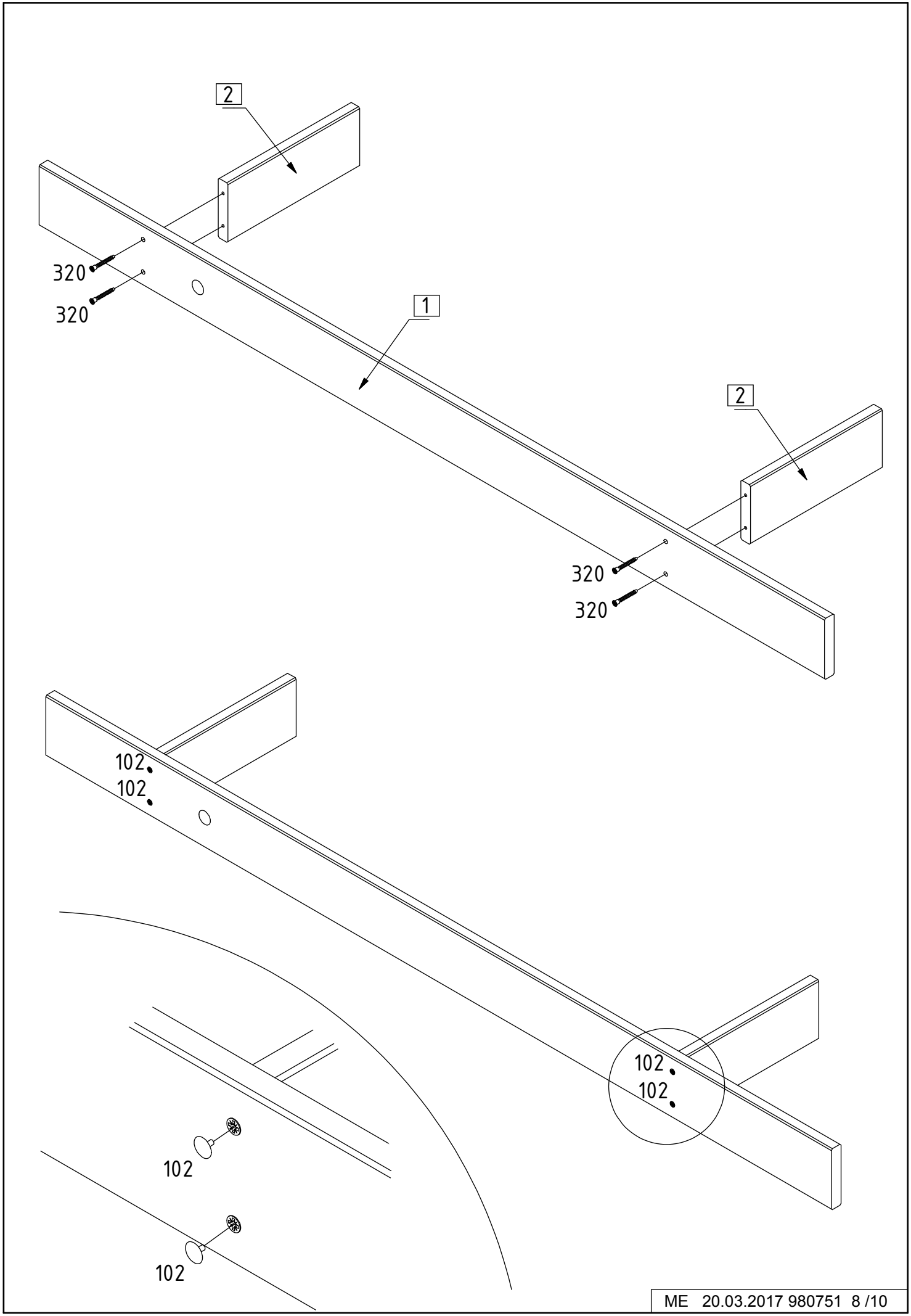


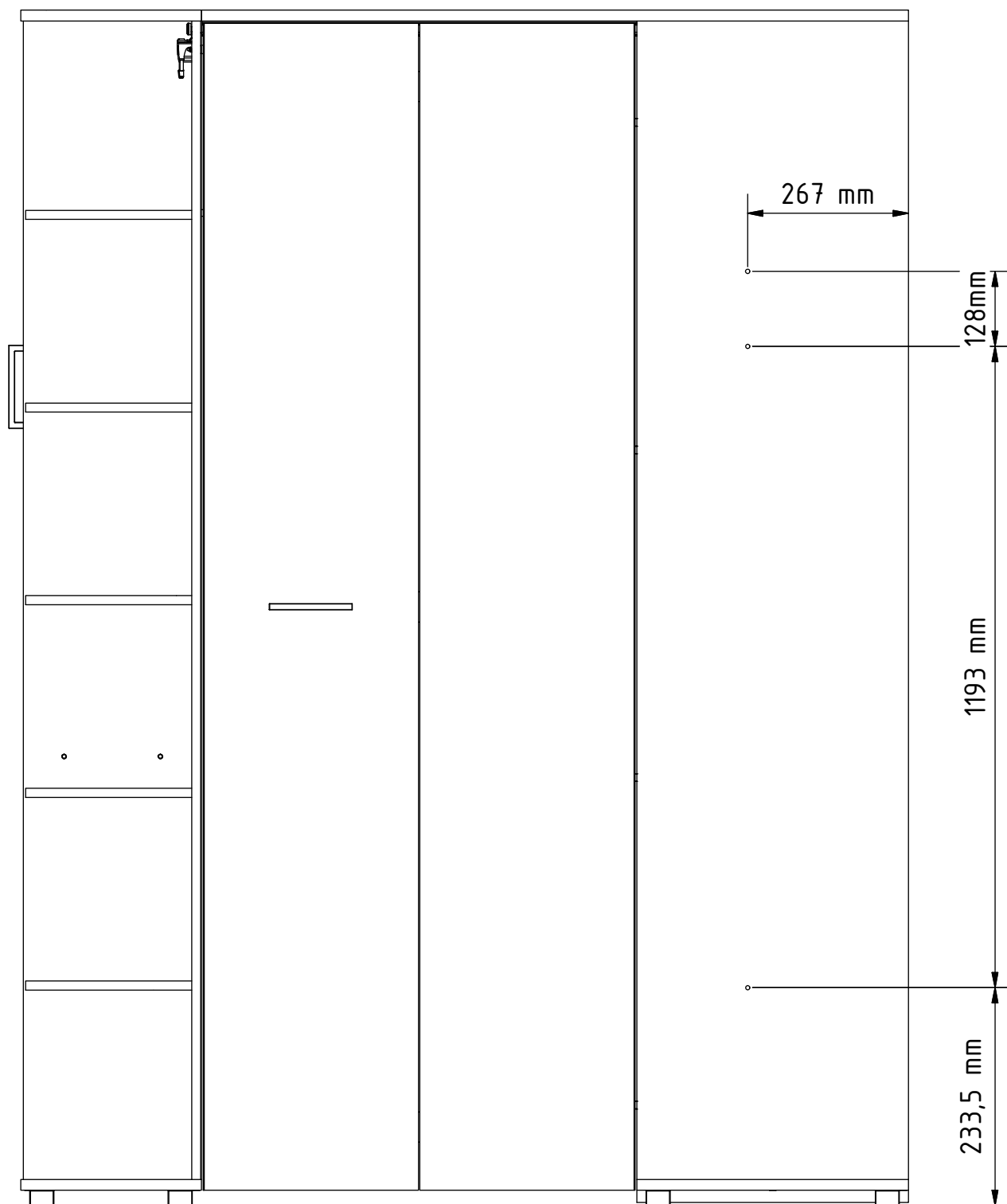
# Variante B



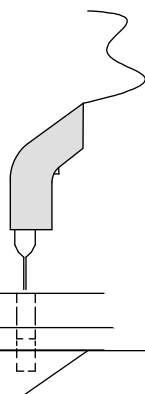
|     |    |            |
|-----|----|------------|
| 102 | 4x |            |
| 320 | 4x | 6 x 50mm   |
| 374 | 2x | 4,5 x 80mm |
| 417 | 1x | M4 x 60mm  |

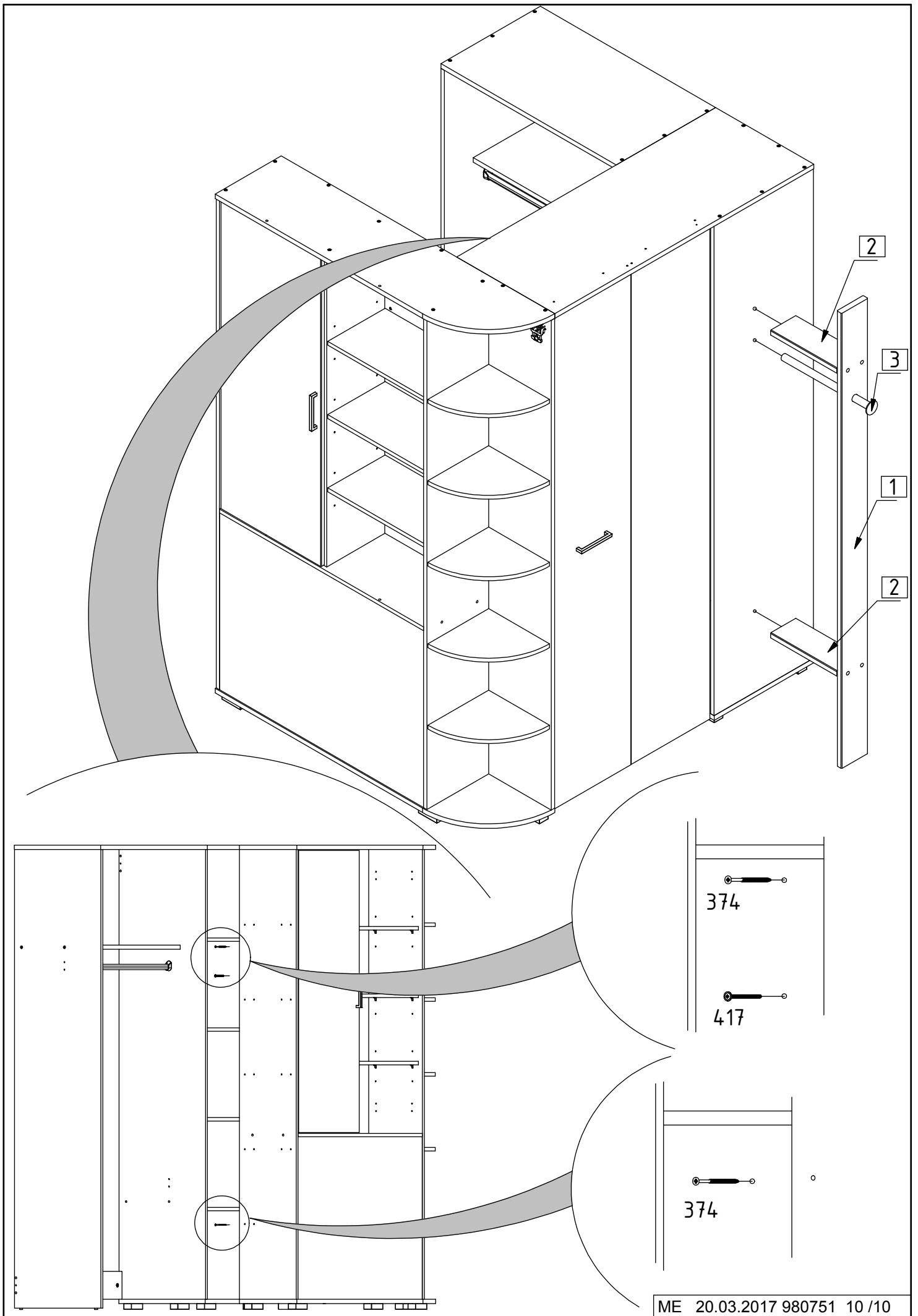


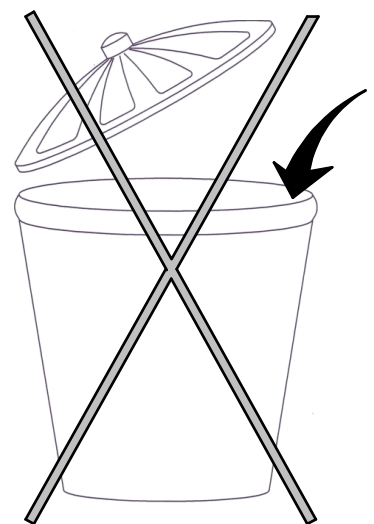
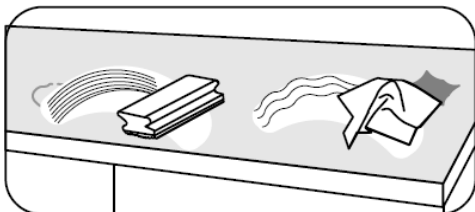
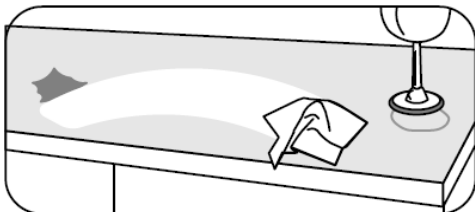
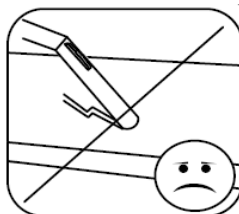
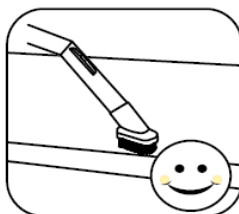
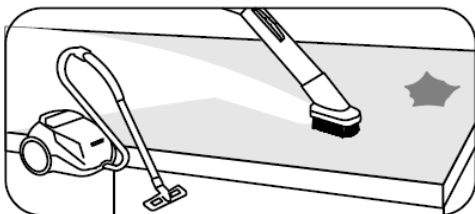
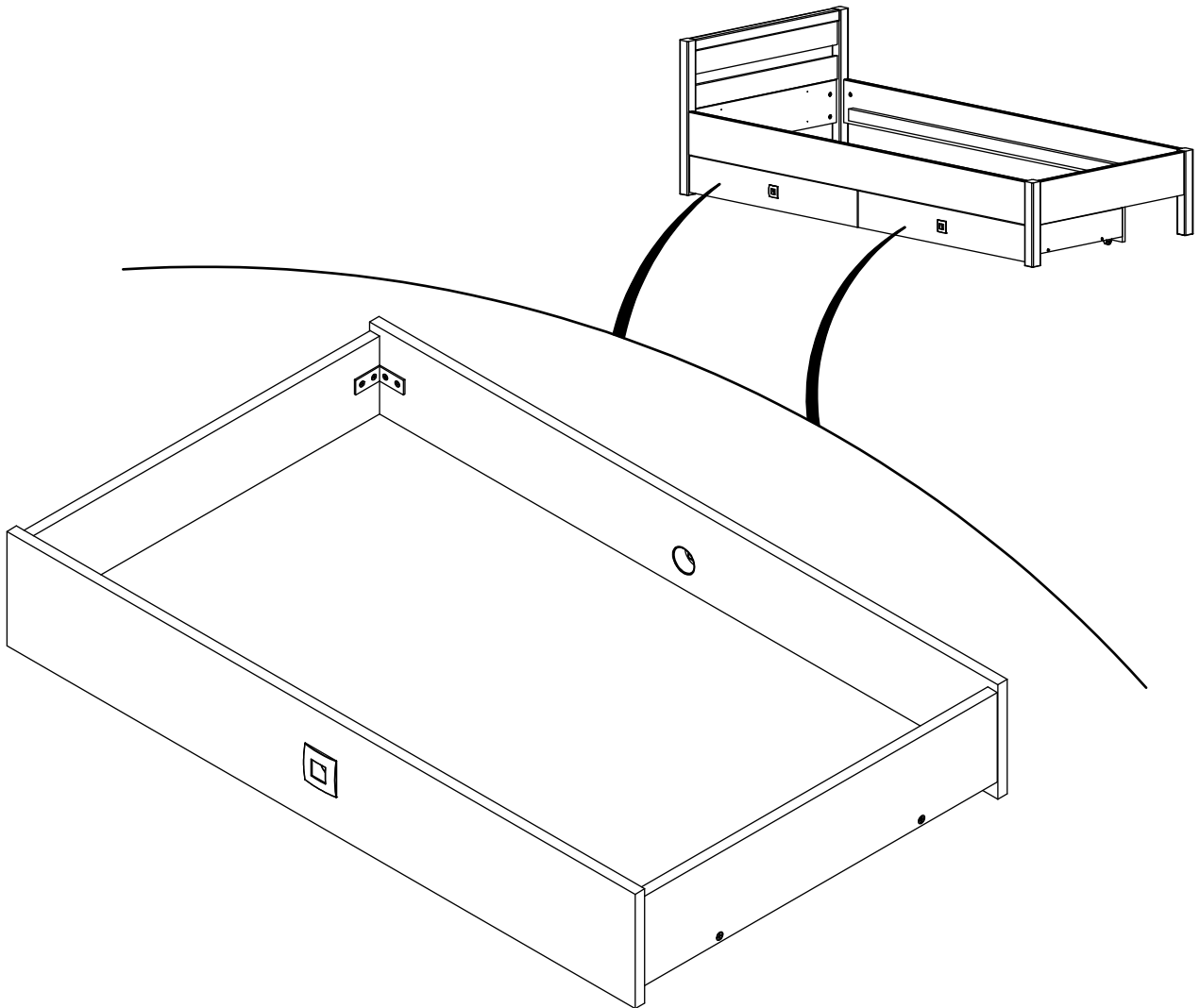


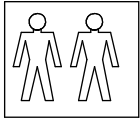


Ø5mm

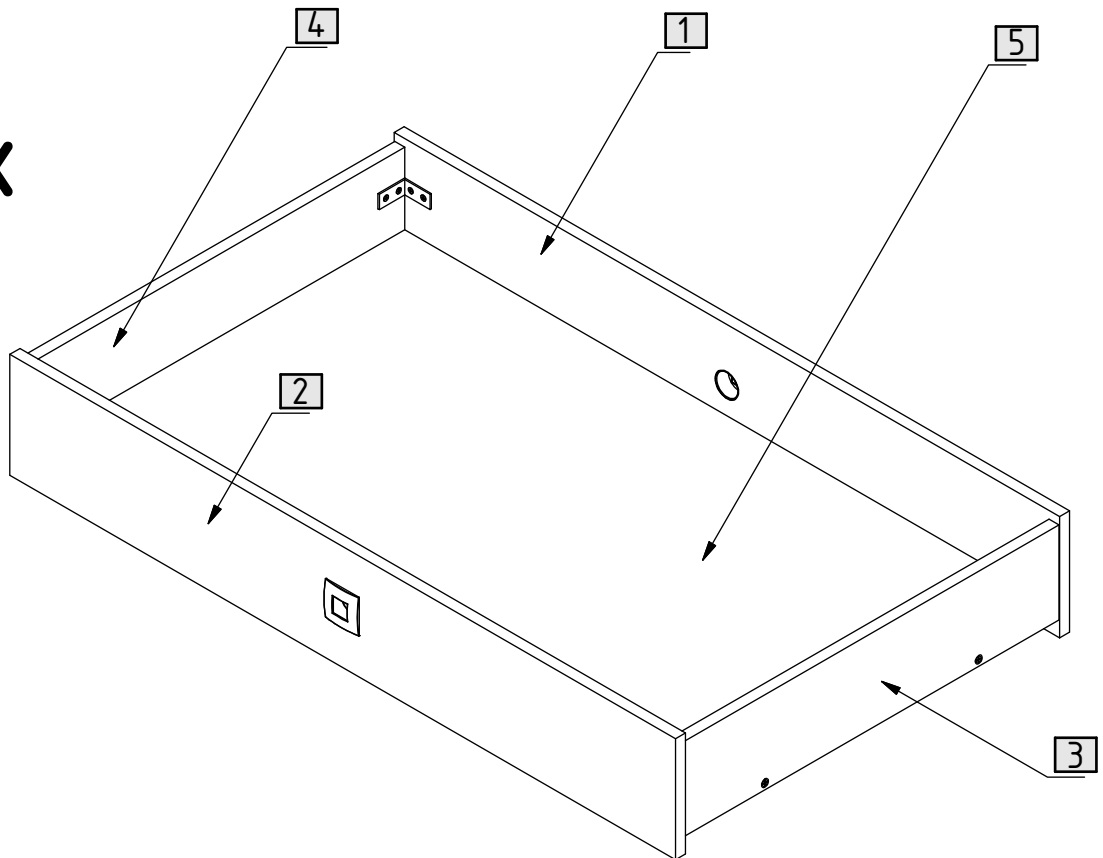




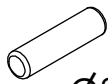
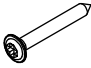
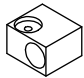

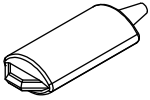
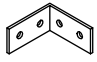
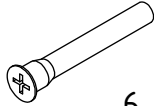




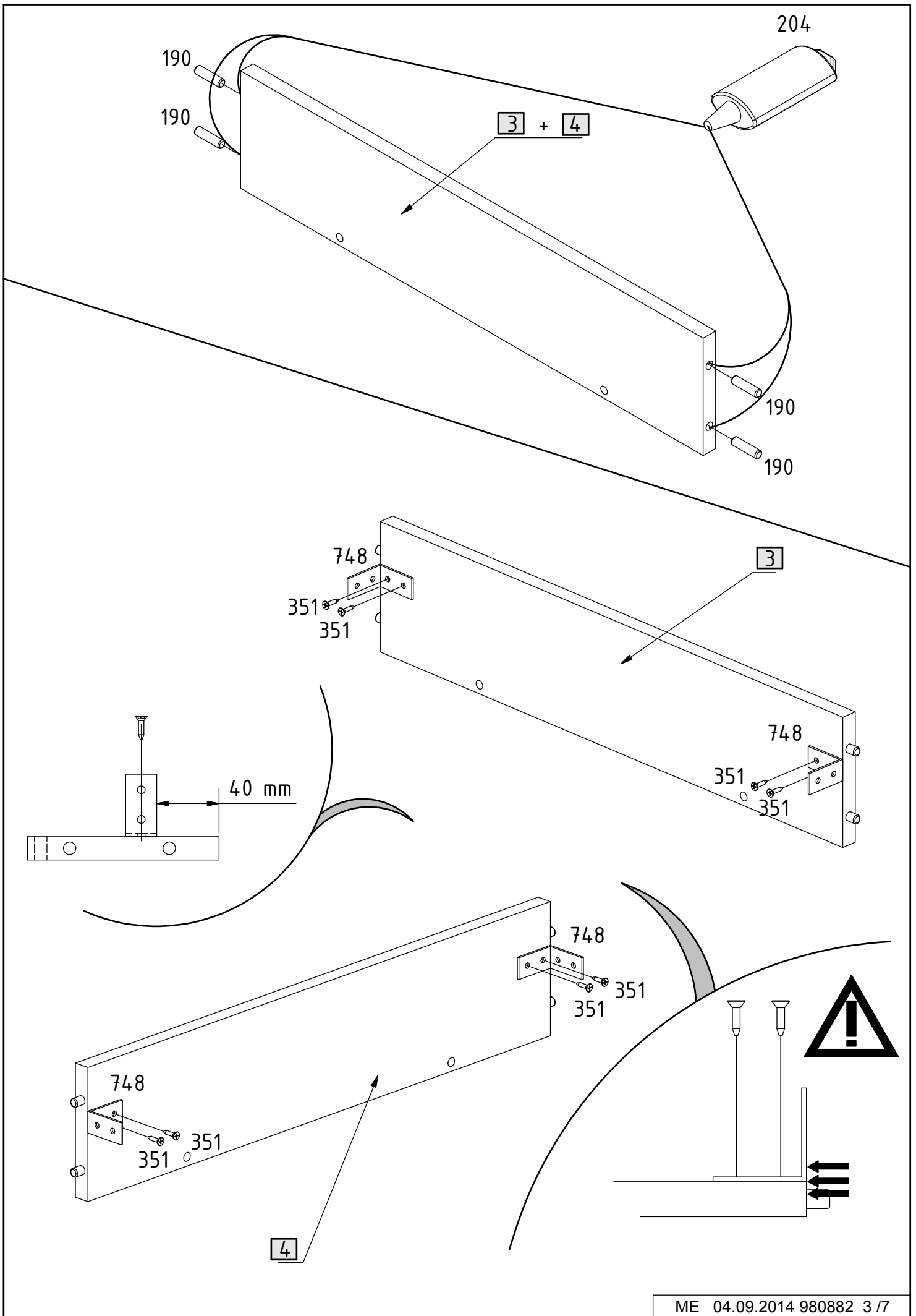


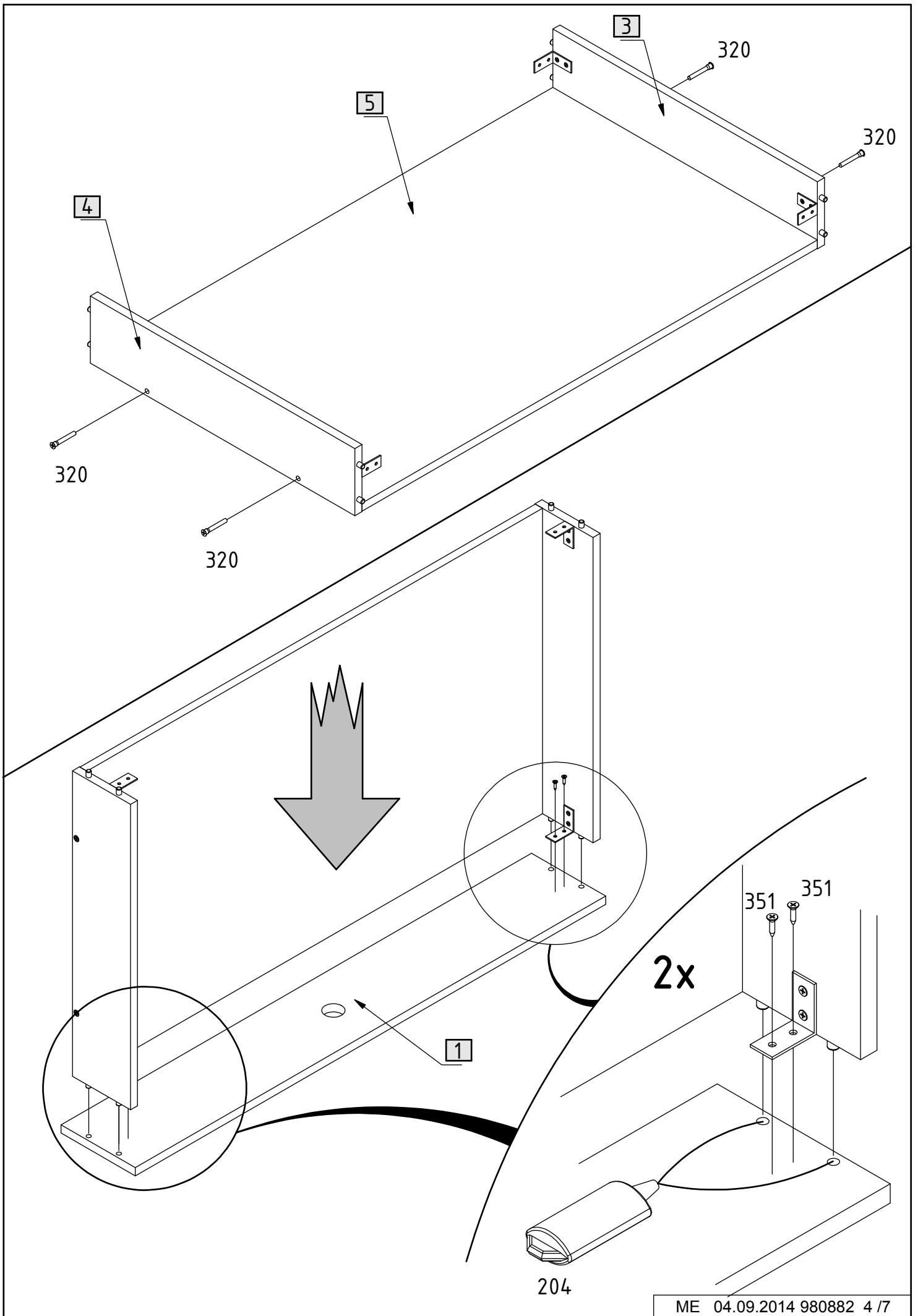
2x

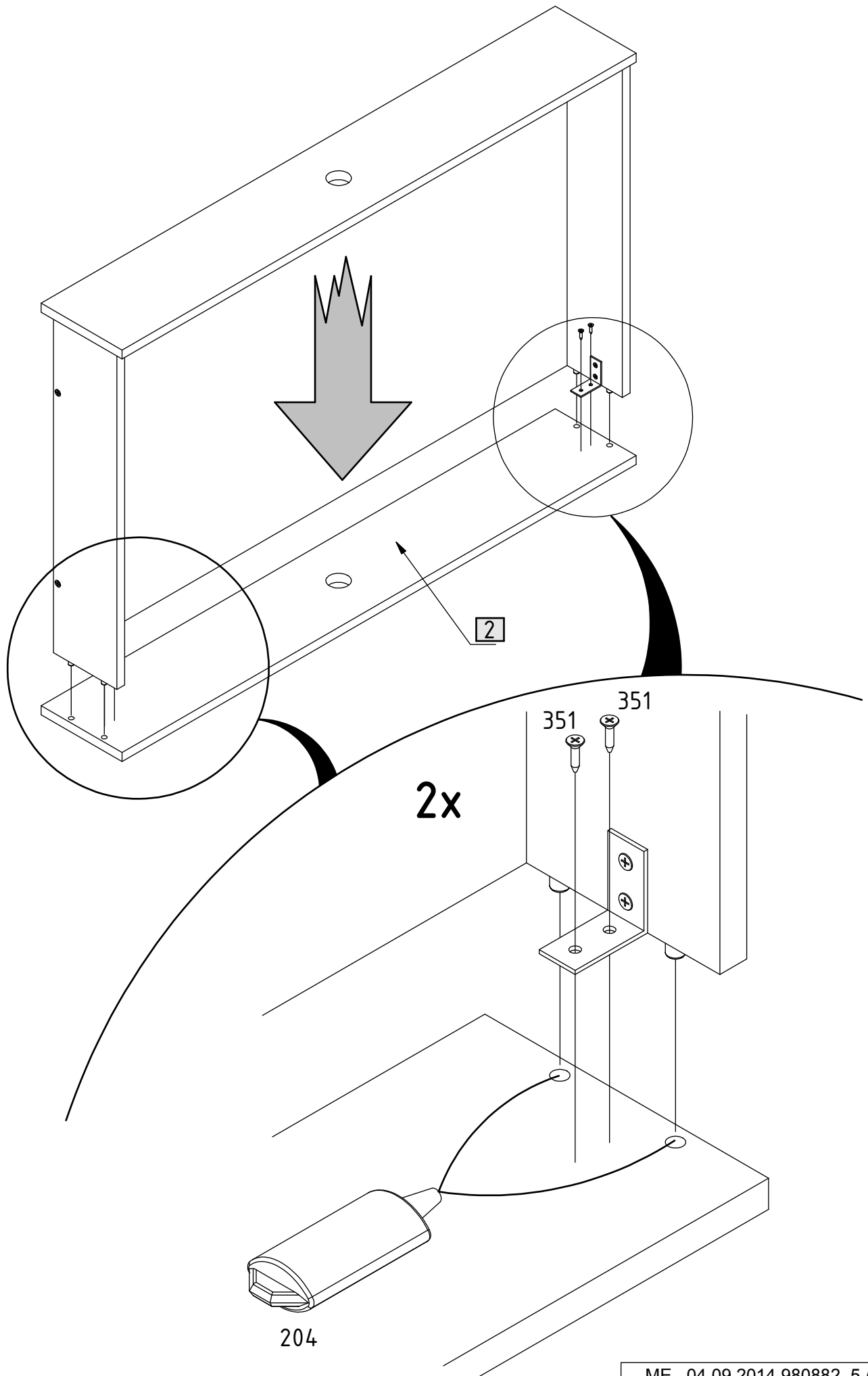


2x

|     |    |  |     |   |  |
|-----|----|--|-----|---|--|
| 190 | 8  | <br>Ø8 x 30 mm  | 354 | 4 | <br>3,5 x 25 mm |
| 203 | 2  |                 | 512 | 2 |                 |
| 204 | 1  |                 | 748 | 4 |                 |
| 320 | 4  | <br>6 x 50 mm   | 774 | 4 |                 |
| 351 | 24 | <br>3,5 x 15 mm |     |   |  |



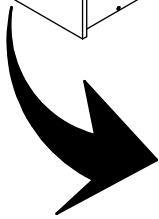
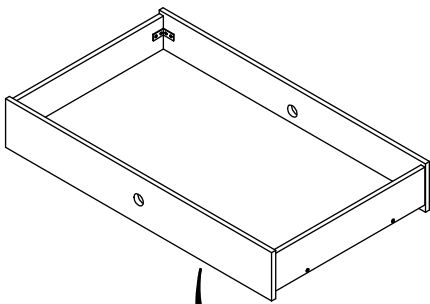




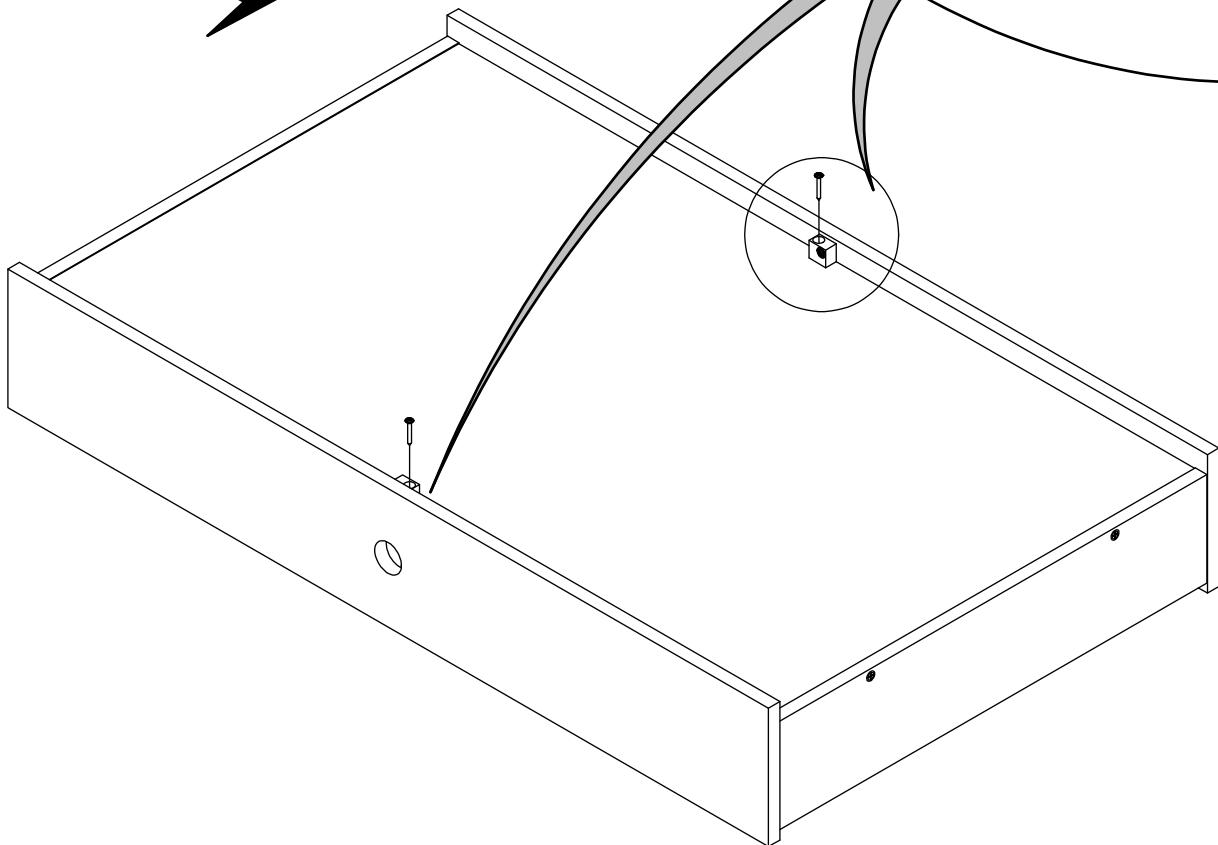


2x

354

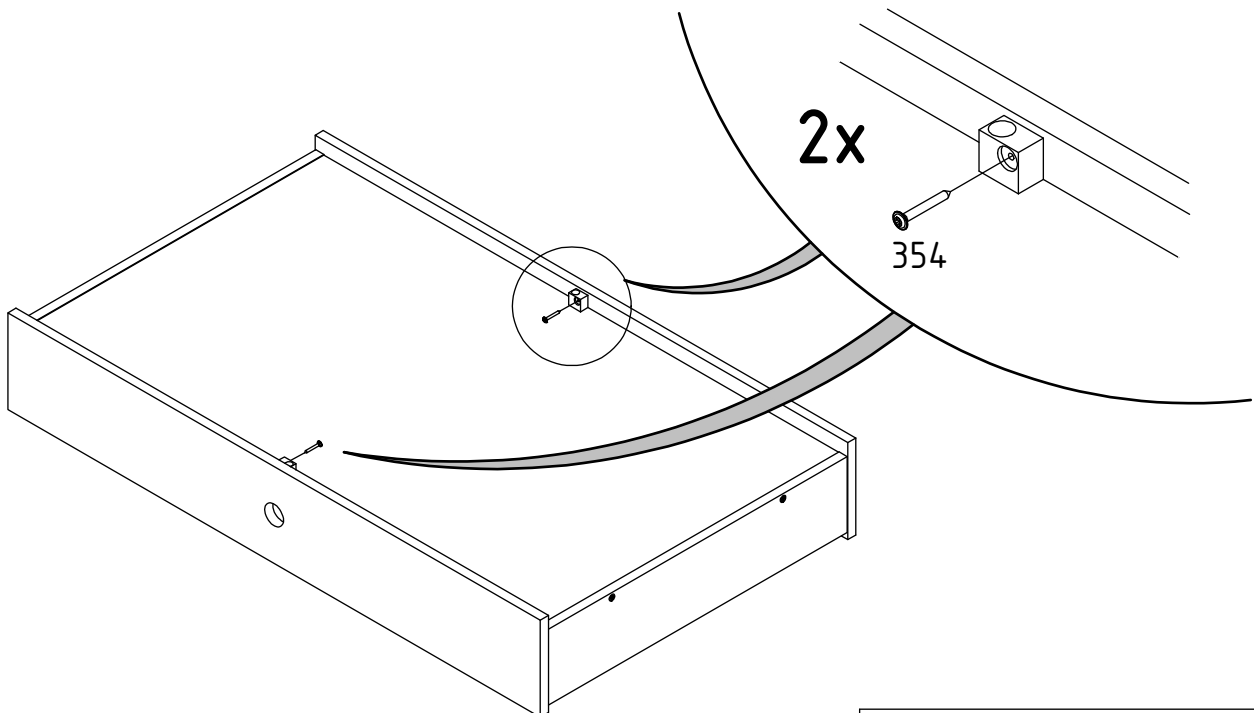


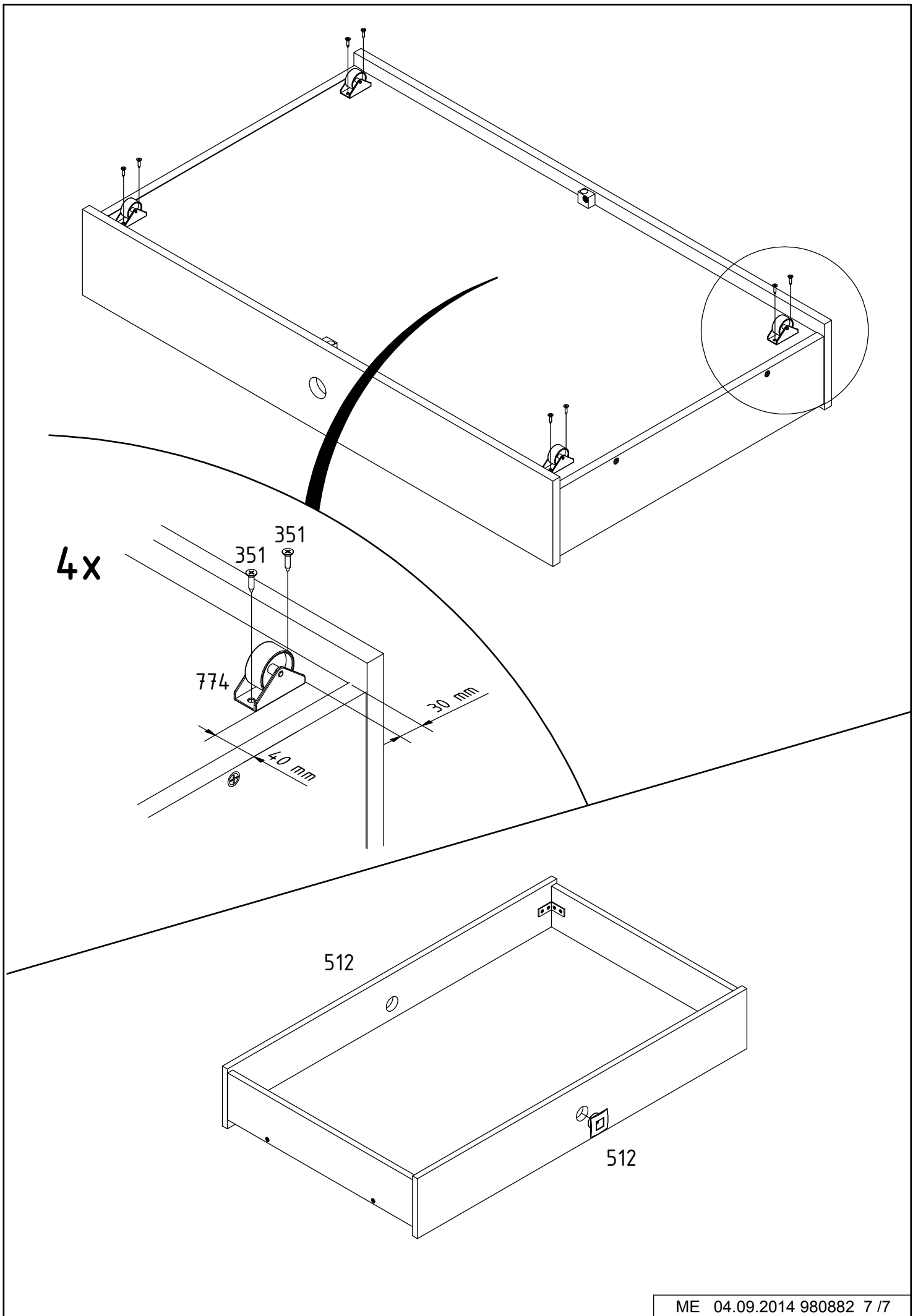
203



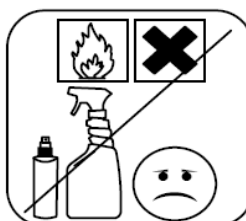
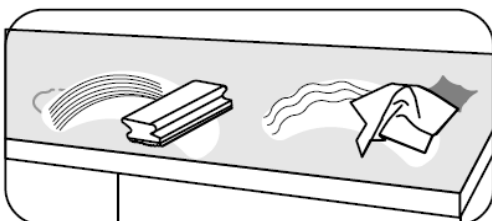
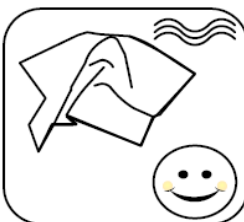
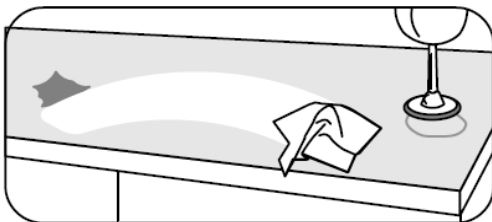
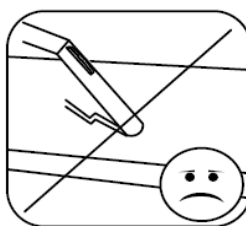
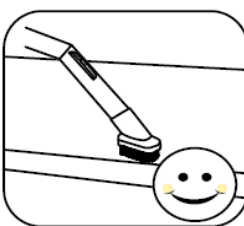
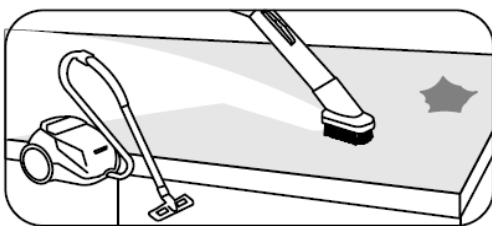
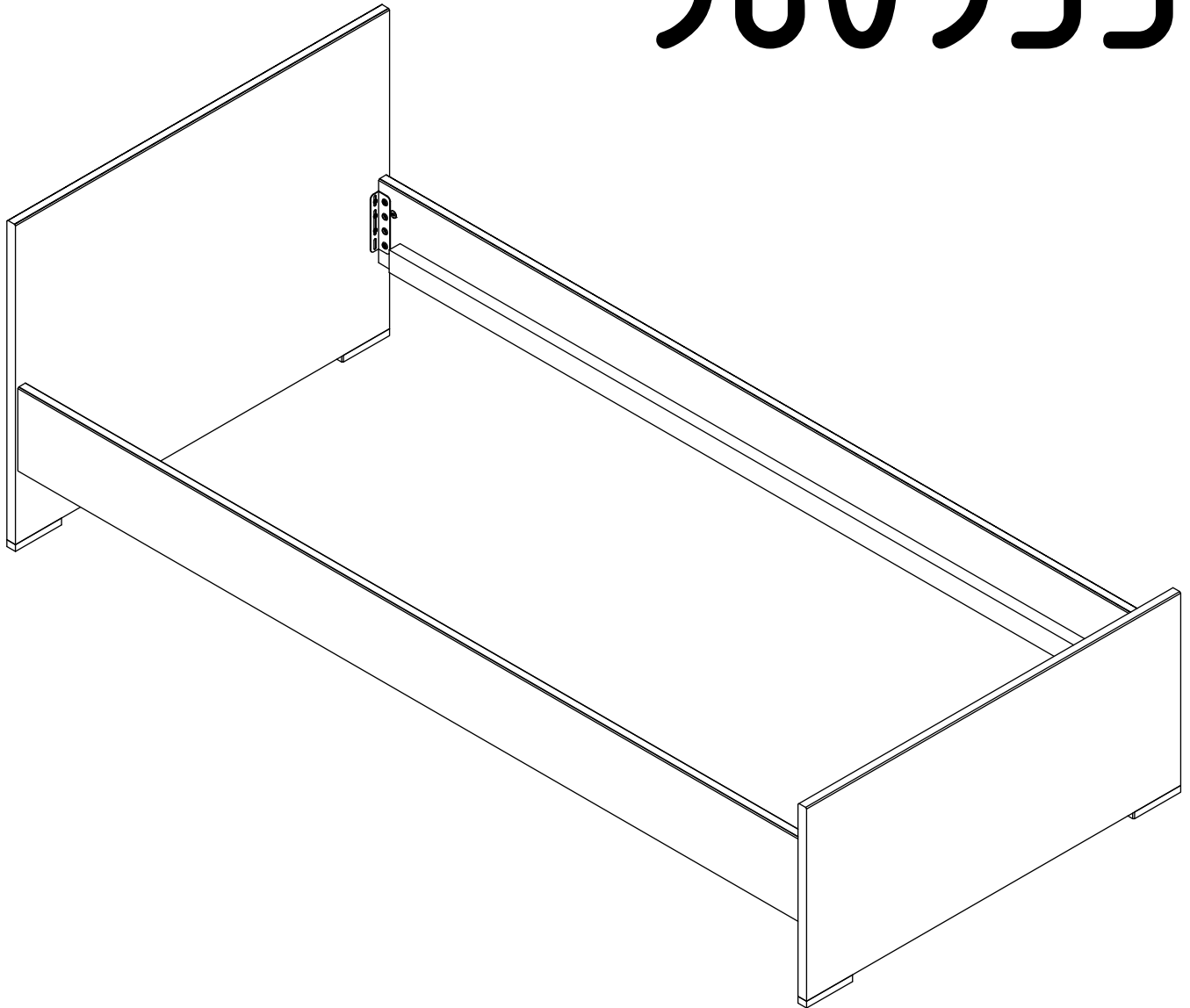
2x

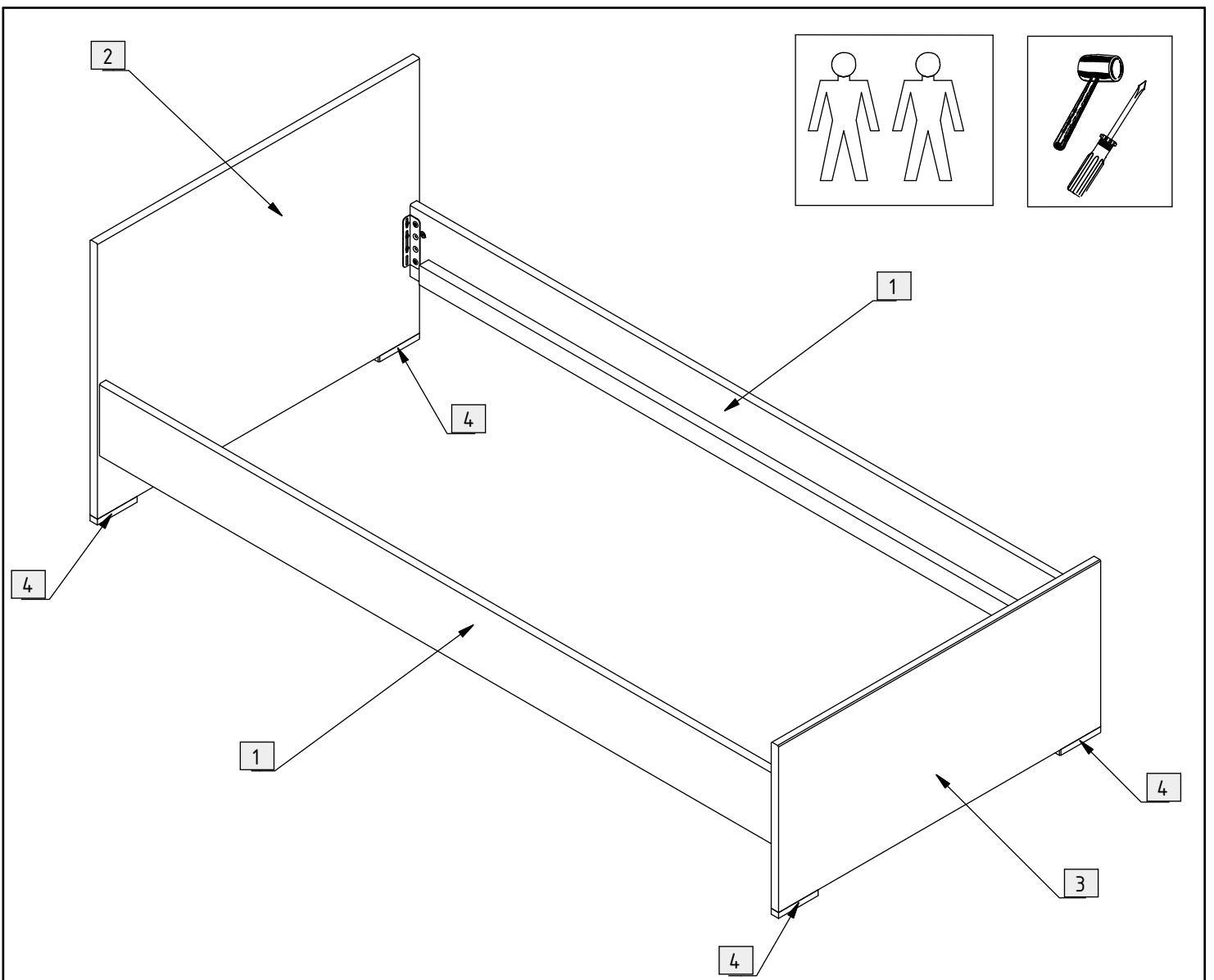
354

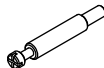


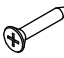
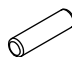

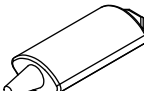
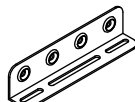




# 980953

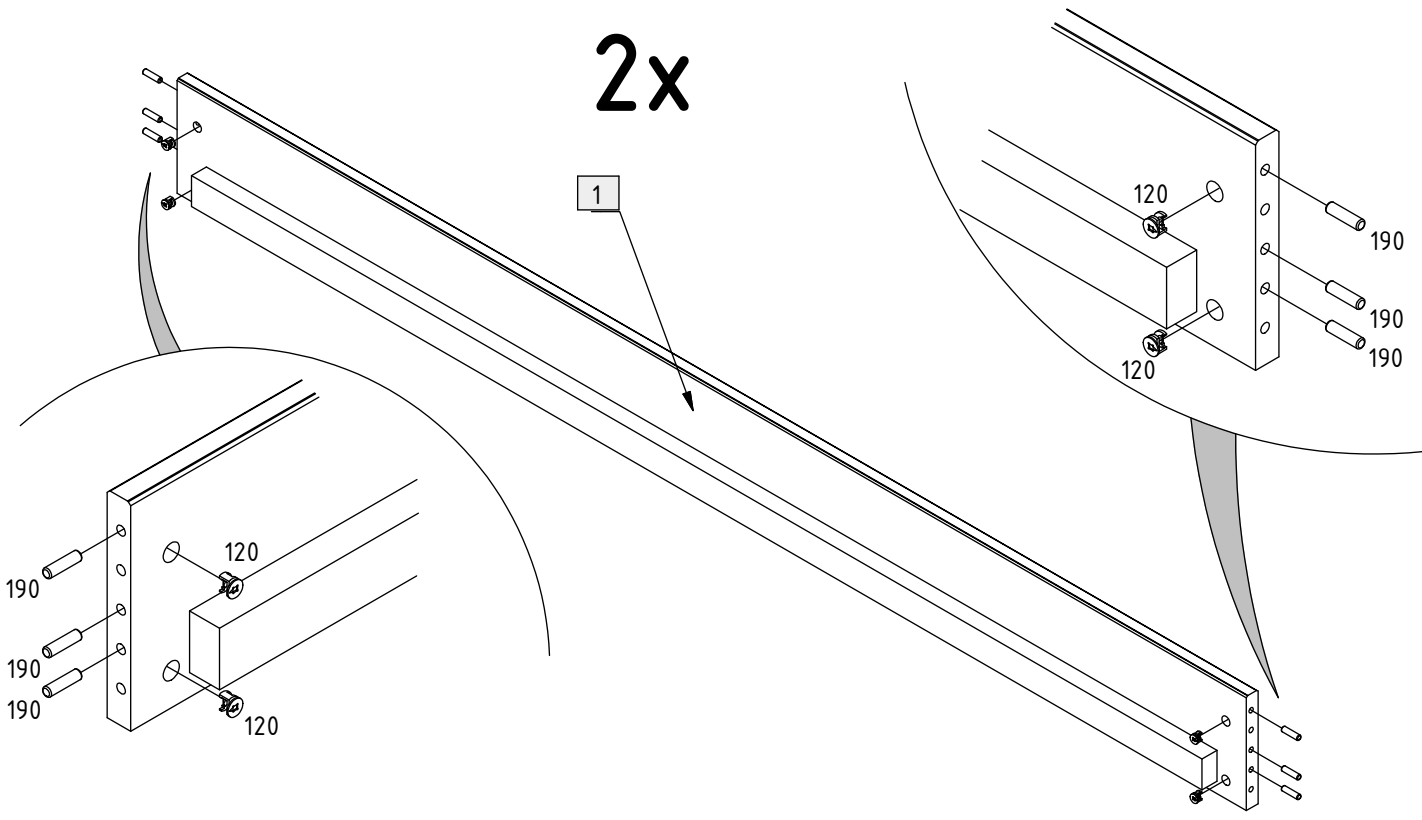




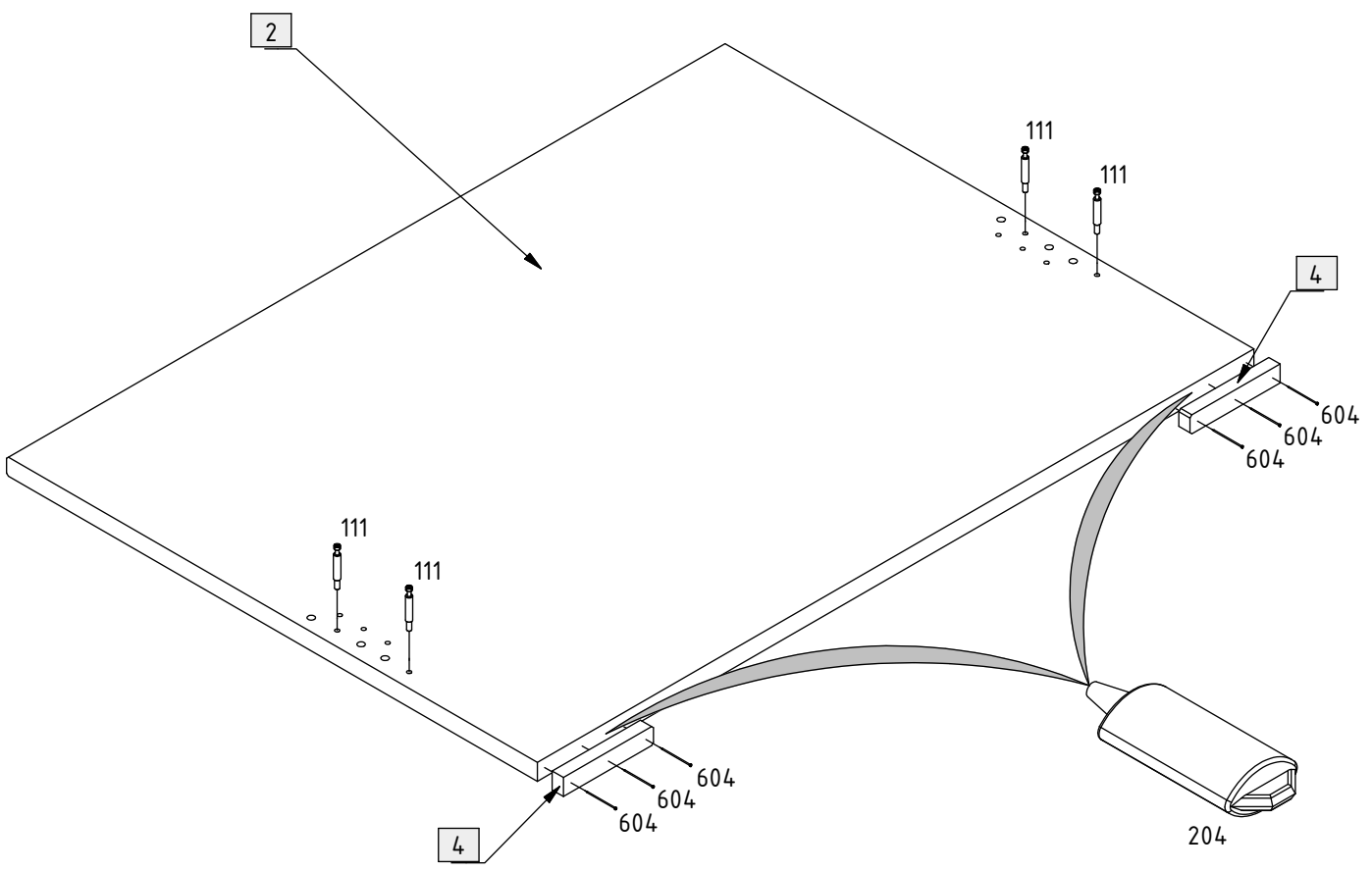
|     |    |   |     |    |   |
|-----|----|---|-----|----|---|
| 111 | 8  |                | 307 | 12 | <br>Ø6 x 15 mm |
| 120 | 8  |                | 352 | 8  | <br>Ø4 x 20 mm |
| 190 | 12 | <br>Ø8 x 30 mm | 604 | 12 | <br>Ø1 x 40 mm |
| 204 | 2  |                | 786 | 4  |                |

1.

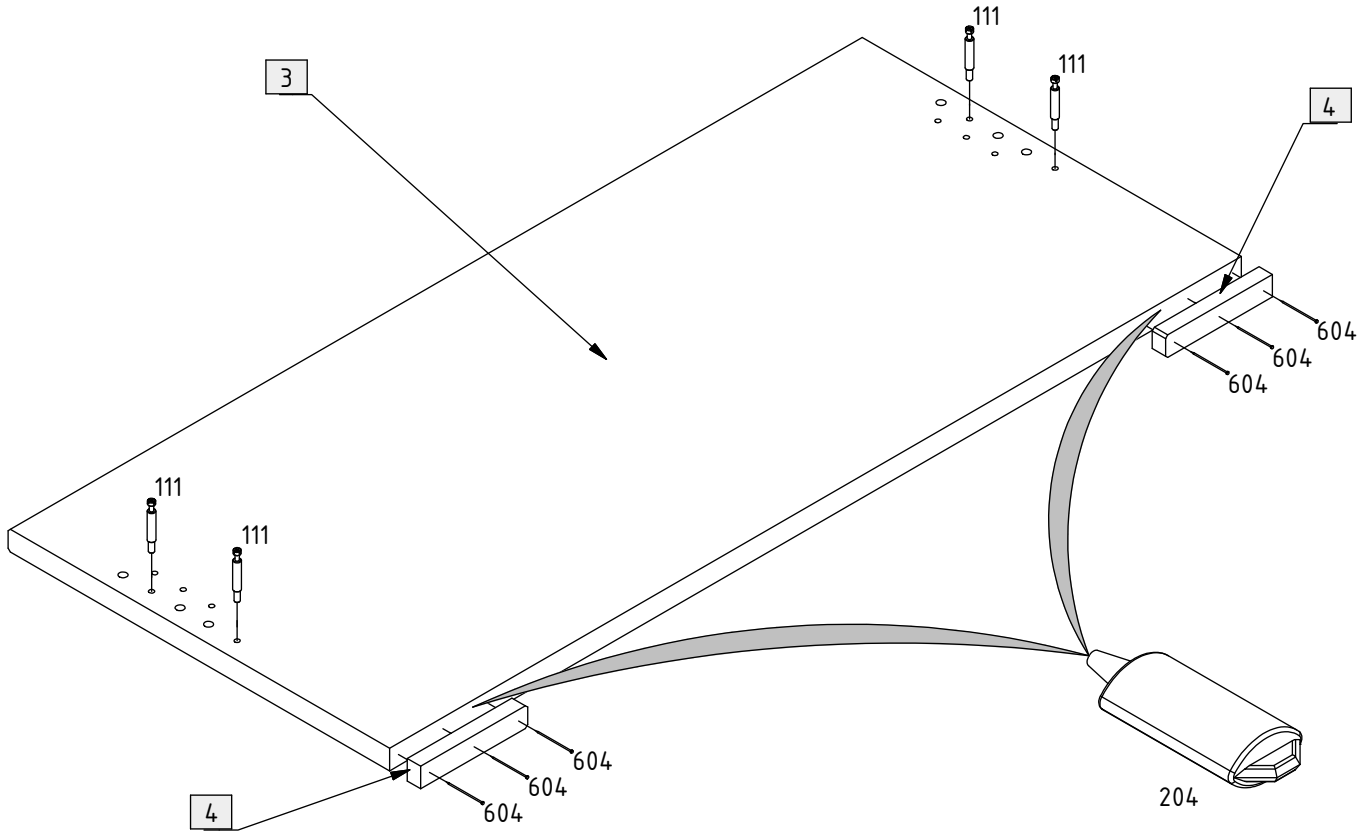
2x



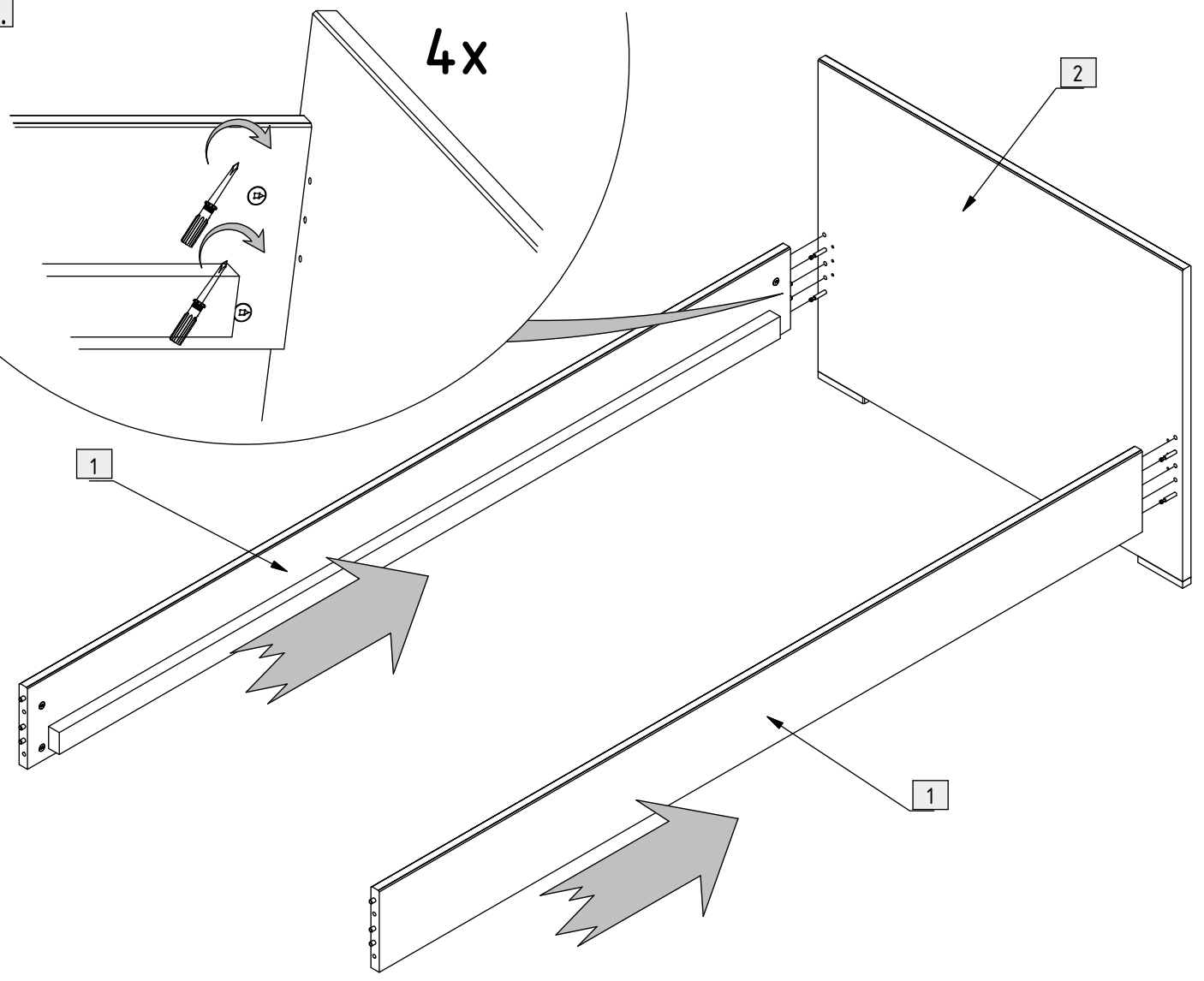
2.



3.

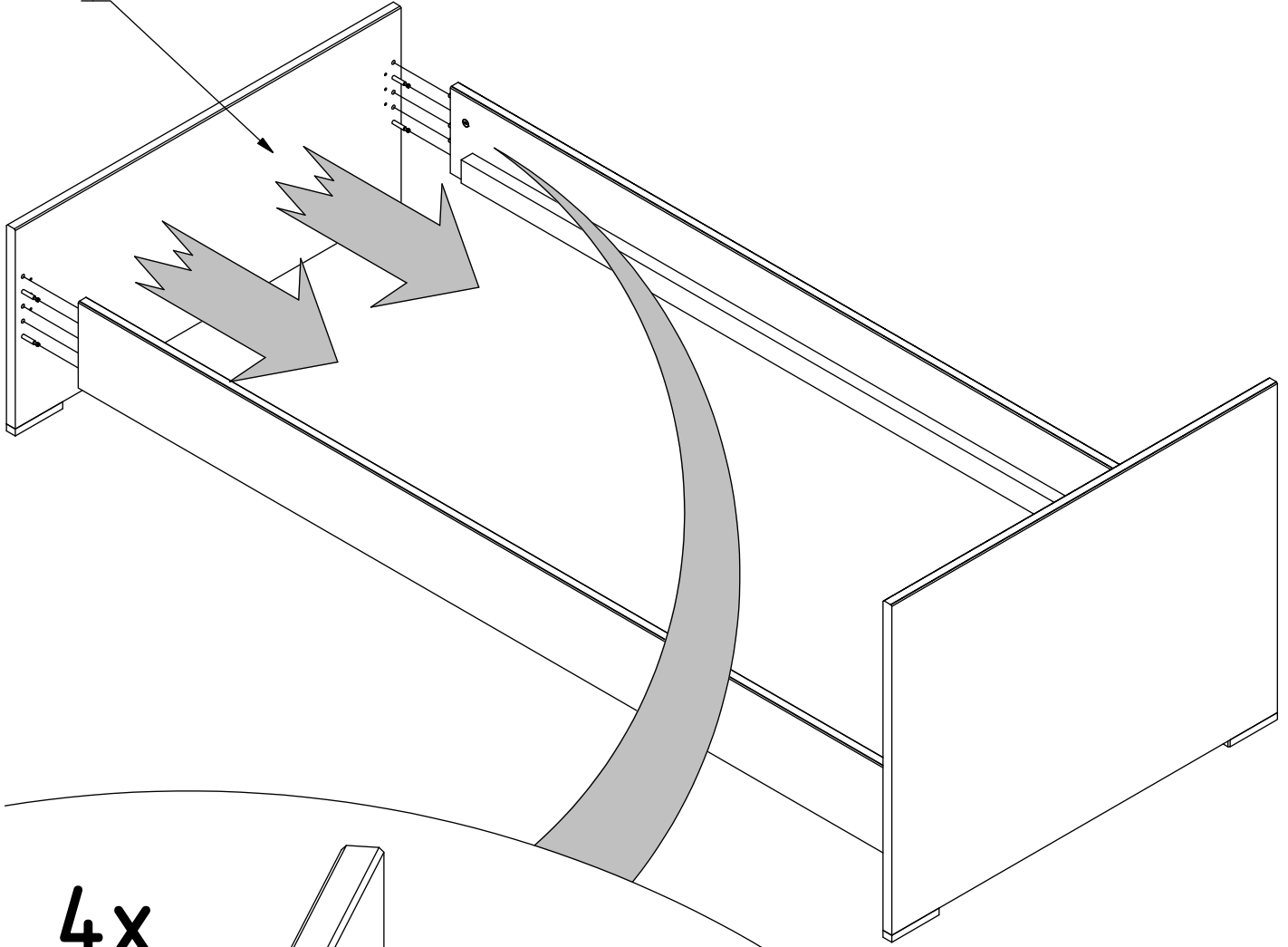


4.

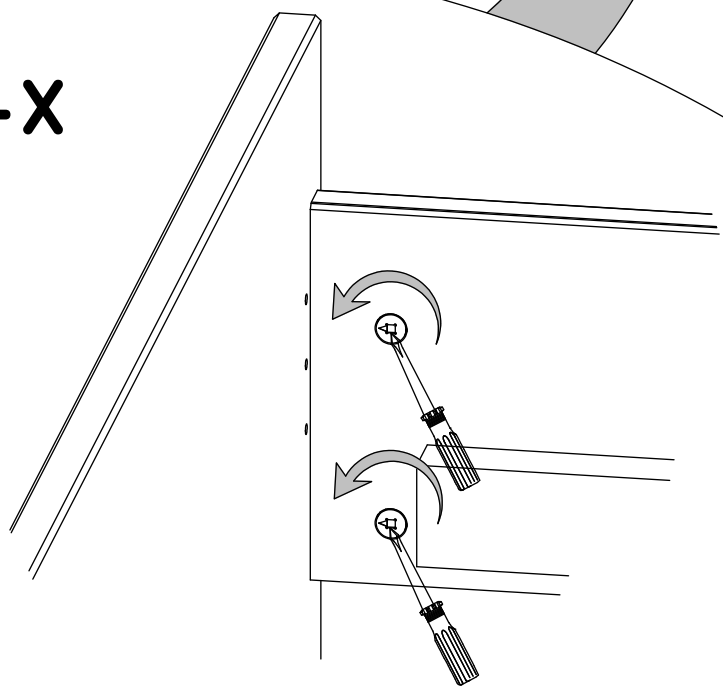


5.

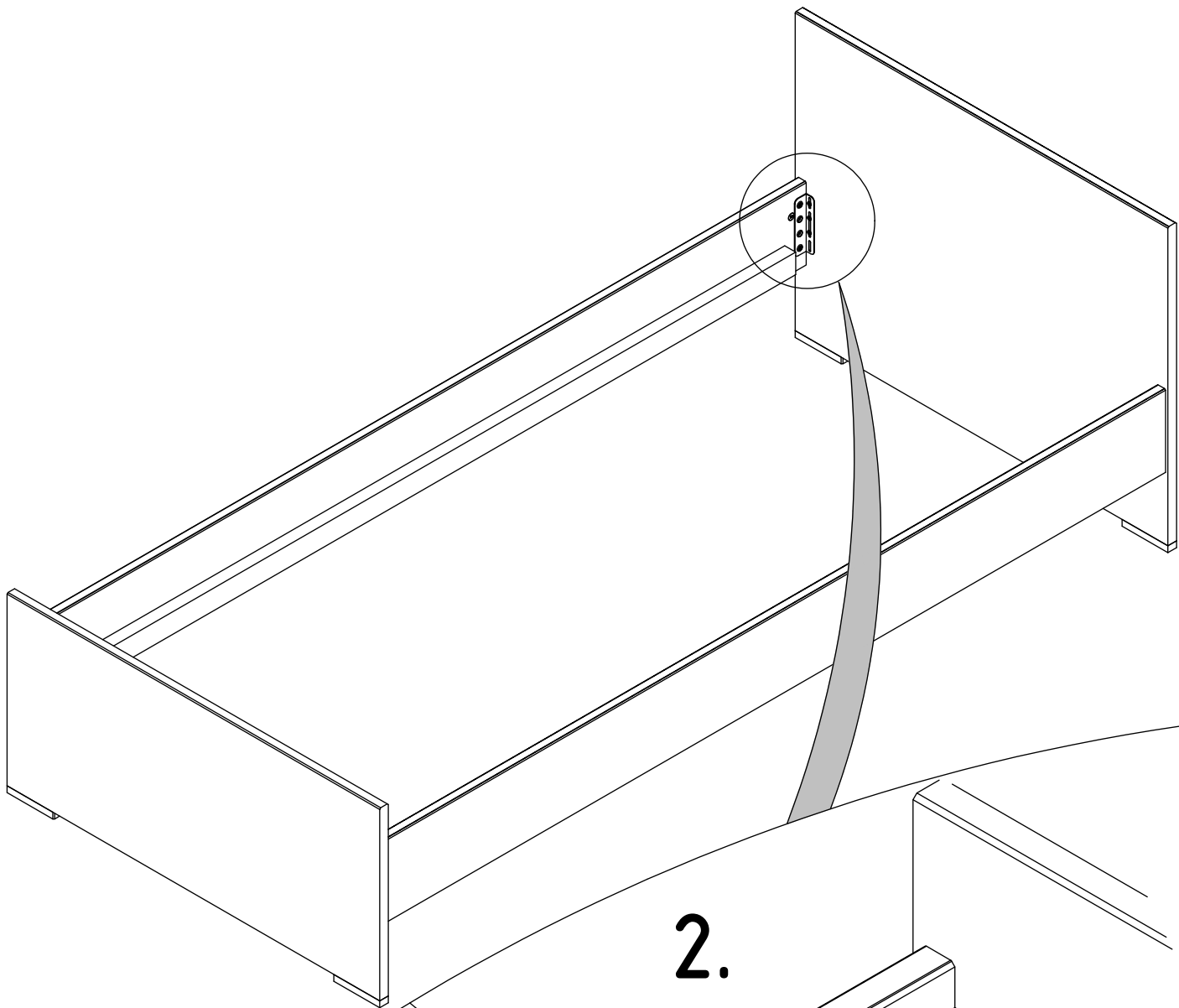
3



4x

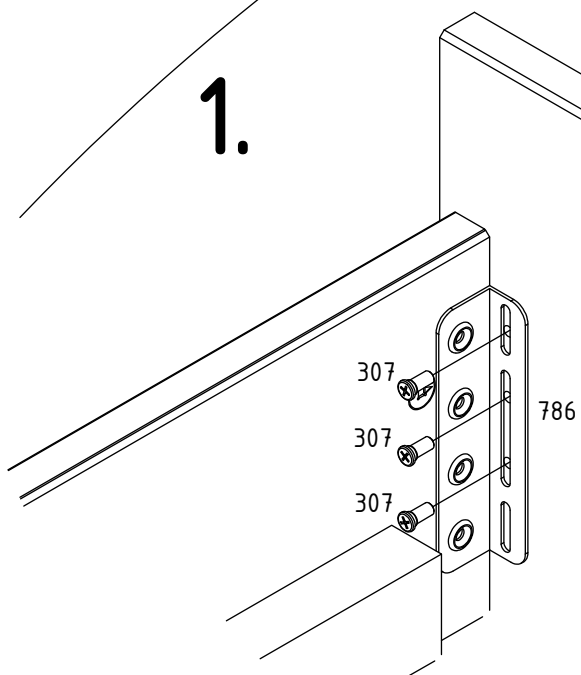


6.

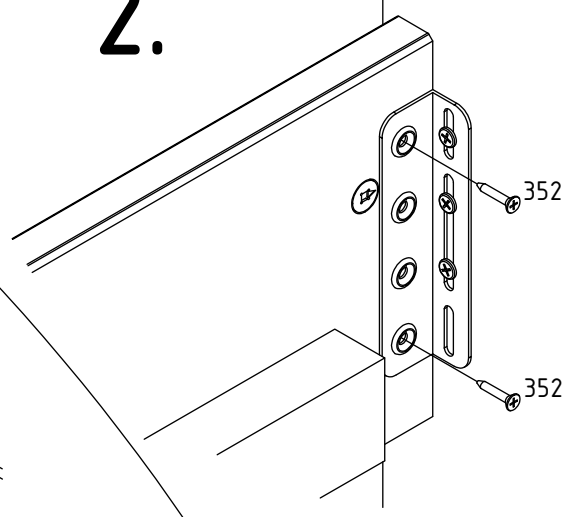


2.

1.



4x



4x





