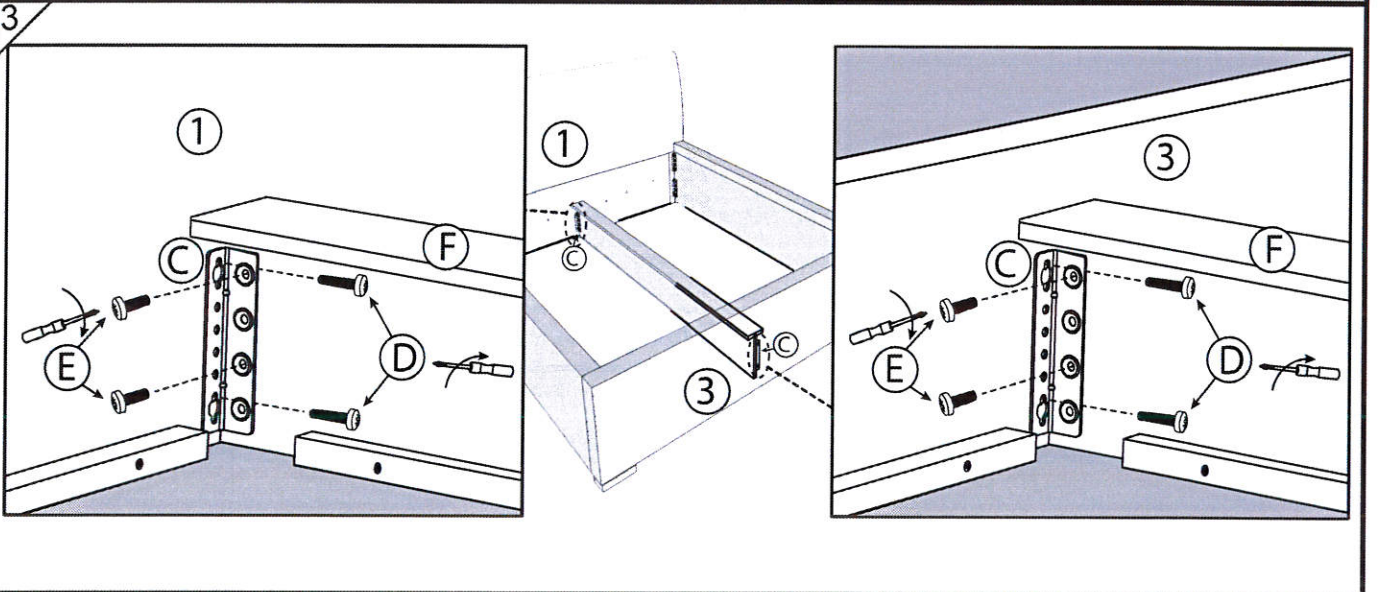
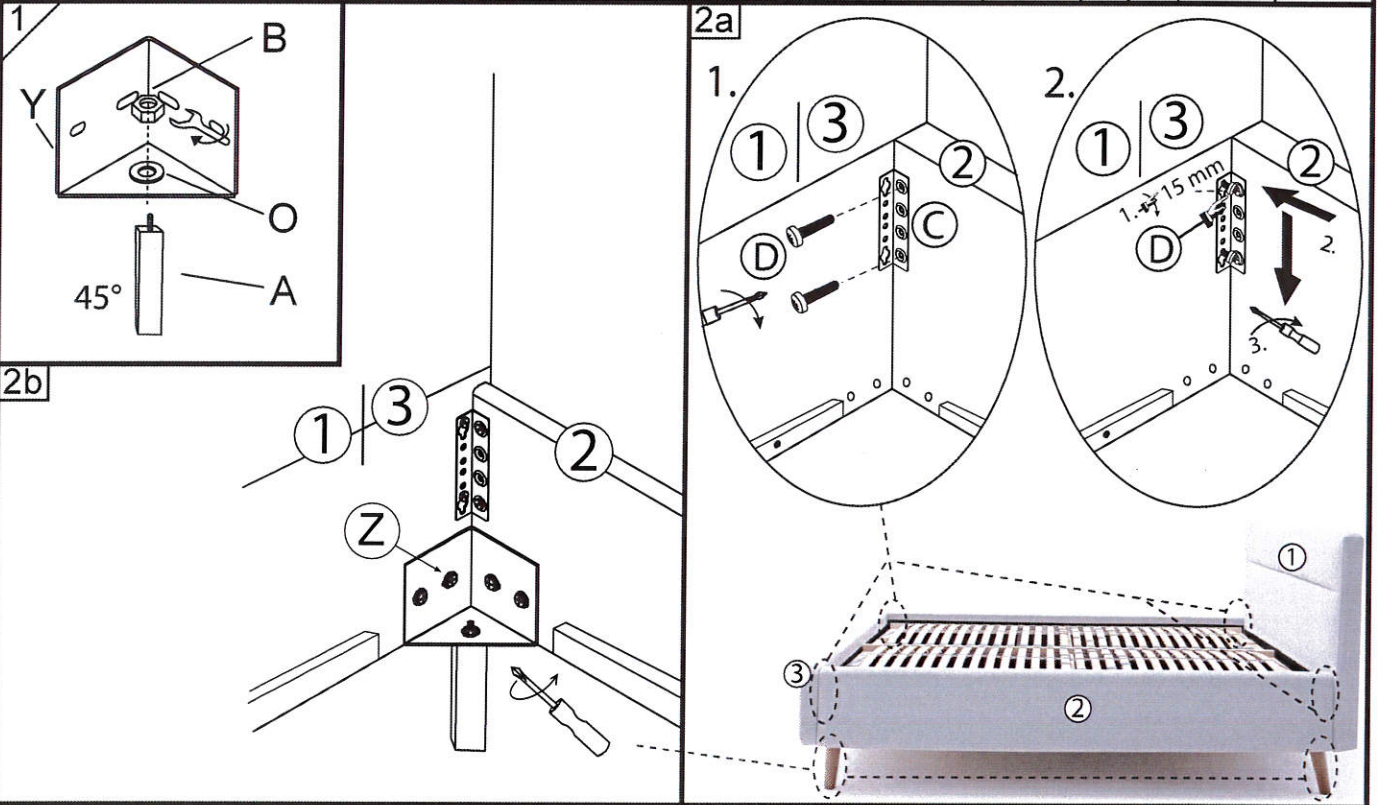
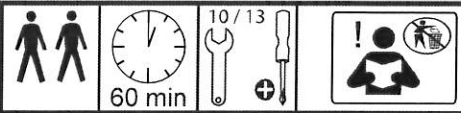


A-85	B-85	C-85	D-85	E-85	F-85	G-85	H-85	I-85	J-85	K-85	LL/LR	M-85	N-85
H 197	M8		M6*30	M6*20	2005*173*94	160/180/200: 79/89/99*199cm	M6*20	237*40*40		530*25*22		280 N	M8*16
4	4	6	20	4	1	2	4	4	16	4	2 / 2	4	8
			O-85	P-85	Q-85	R-85	S-85	T-85	UL/UR	V-85	W/X	Y-85	Z-85
			M8	M8*40	160 cm: 0	4*20	1500*40*40	M6*70	160/180/200: 79/89/99*195cm	M6*40	M6 M6		M8*20
			16	12	4	16	2	10	1 / 1	8	8 8	4	16





LOTTE by meise

4

2. H, G, I

1. J, G

3. LL, LR

5. 5. kg
 $\odot = <10\text{KG} / 1,77\text{m}^2$

4.

5

1. M, N, LL/LR

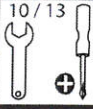
1 | 3

2.

K, LL/LR, F, O, P

S, T_{5x}

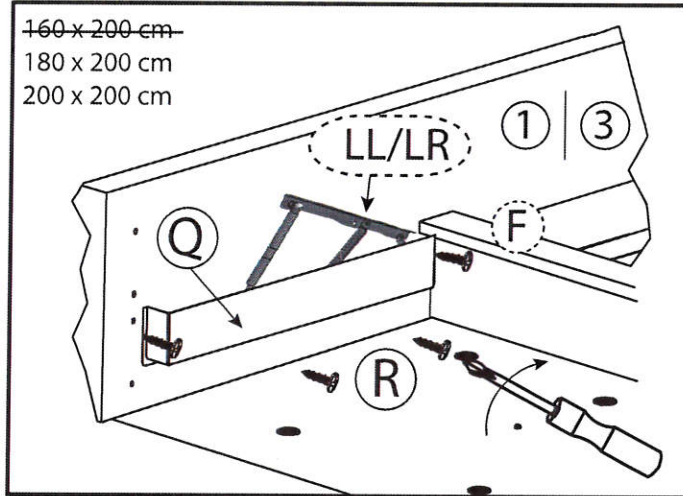
4.



LOTTE by meise

6

160 x 200 cm
180 x 200 cm
200 x 200 cm



7

