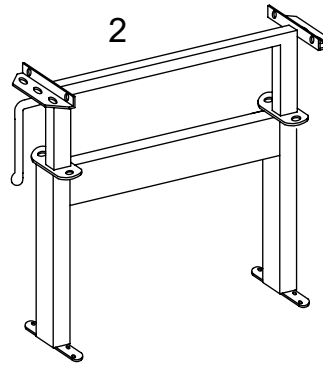
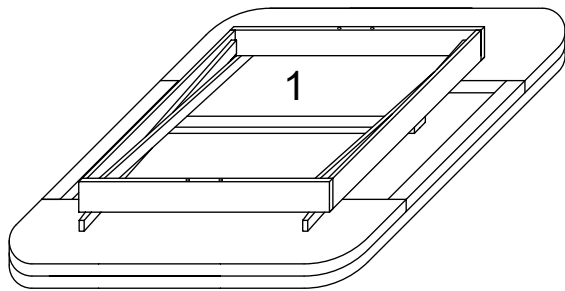
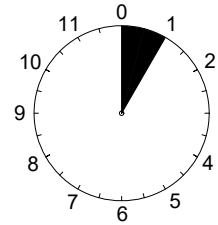
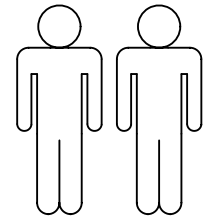
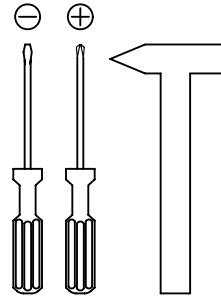
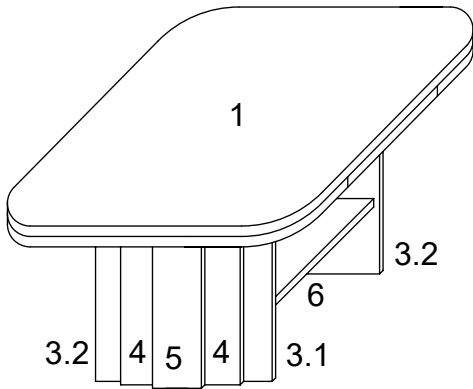

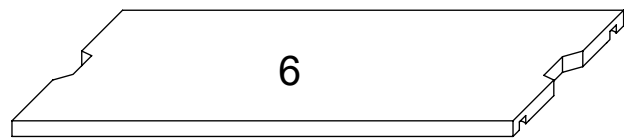
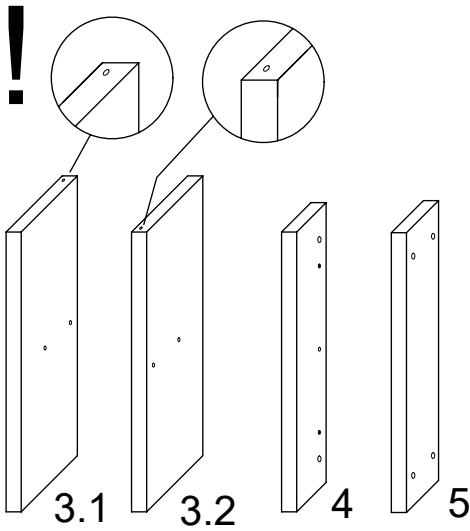











# "Hans"



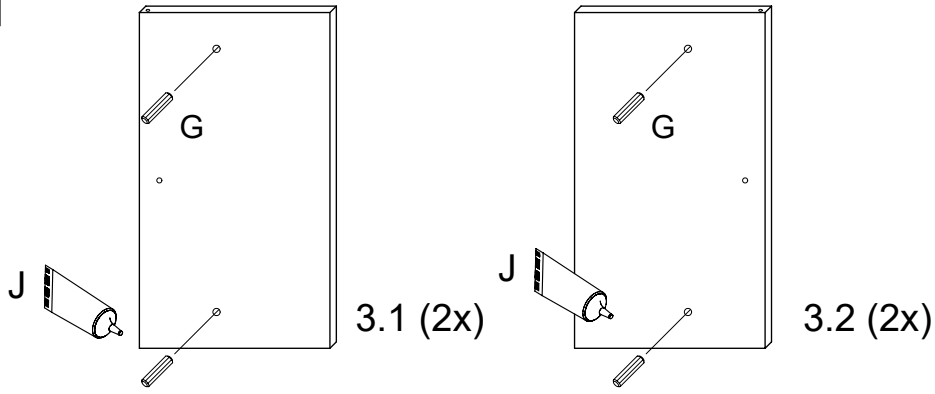
		
1	1x	1/3
2	1x	3/3
3.1	2x	2/3
3.2	2x	2/3
4	4x	2/3
5	2x	2/3
6	1x	2/3



A	 3x30 8x	B	 4x30 8x	C	 4x50 4x	D	 4x	E	 4x	F	 6,2x27mm 4x
G	 8x40 16x	H	 6x	J	 2x						

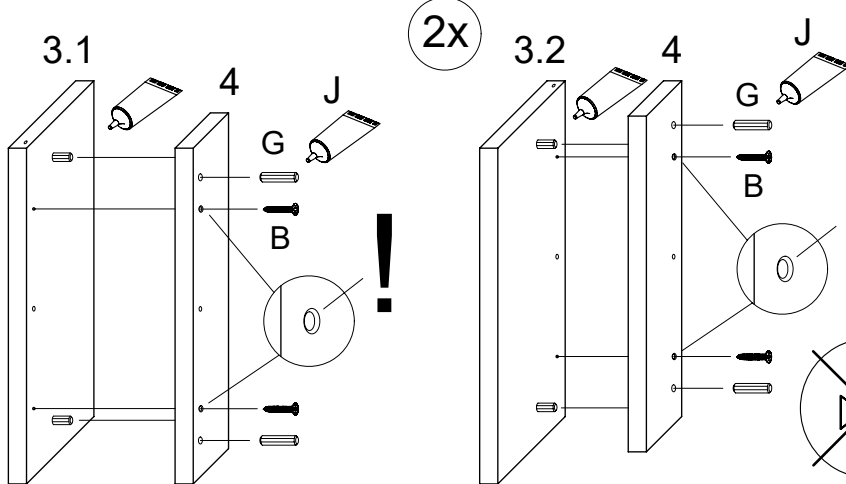
I.

1.

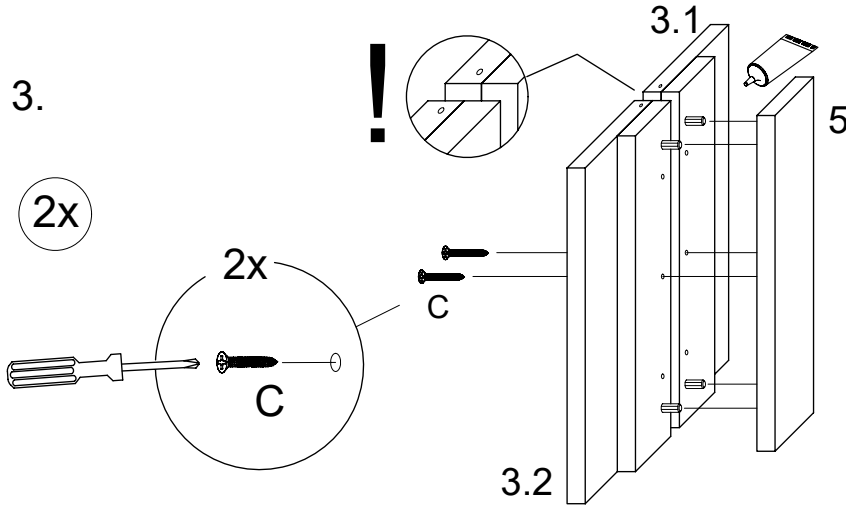


J		1x
G		8x30 8x
B		4x30 8x
G		8x30 8x
J		1x

2. (2x)

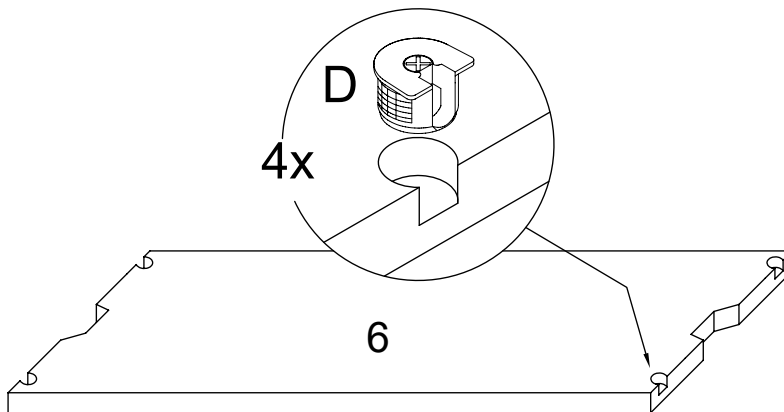


3.



J		1x
C		4x50 4x

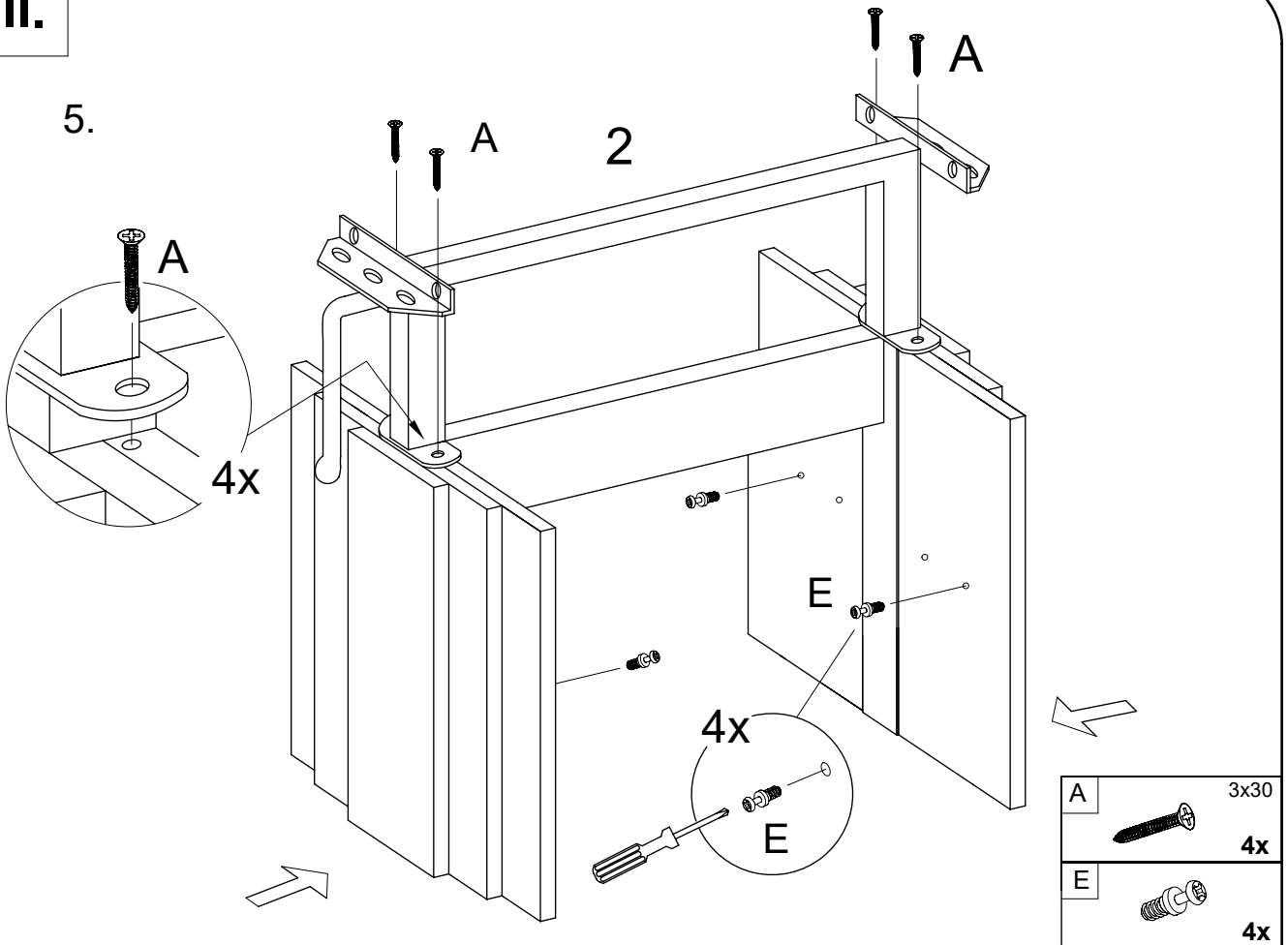
4.



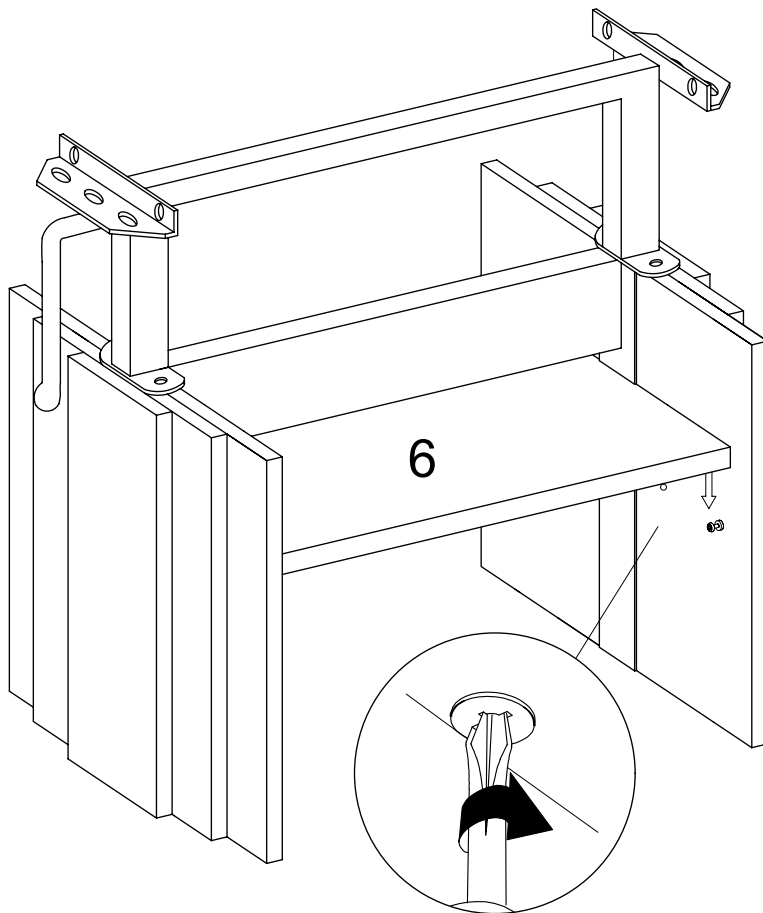
D		4x
---	--	----

II.

5.

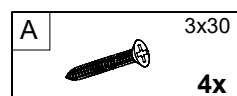
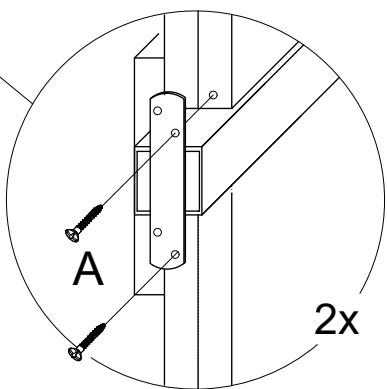
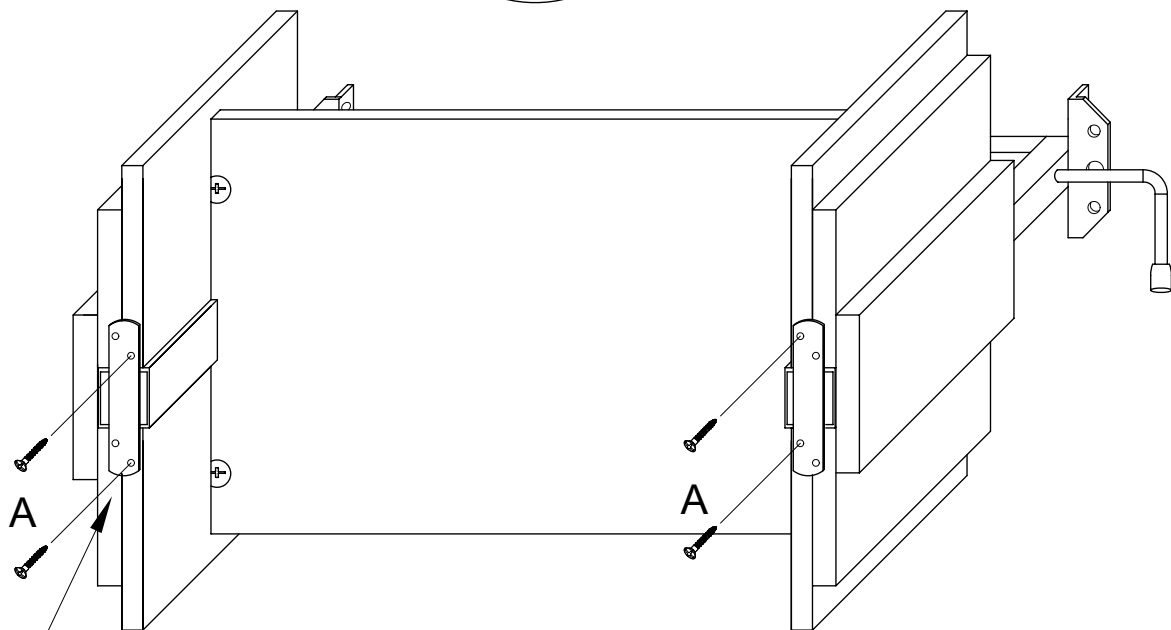
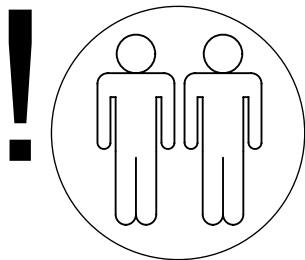


6.

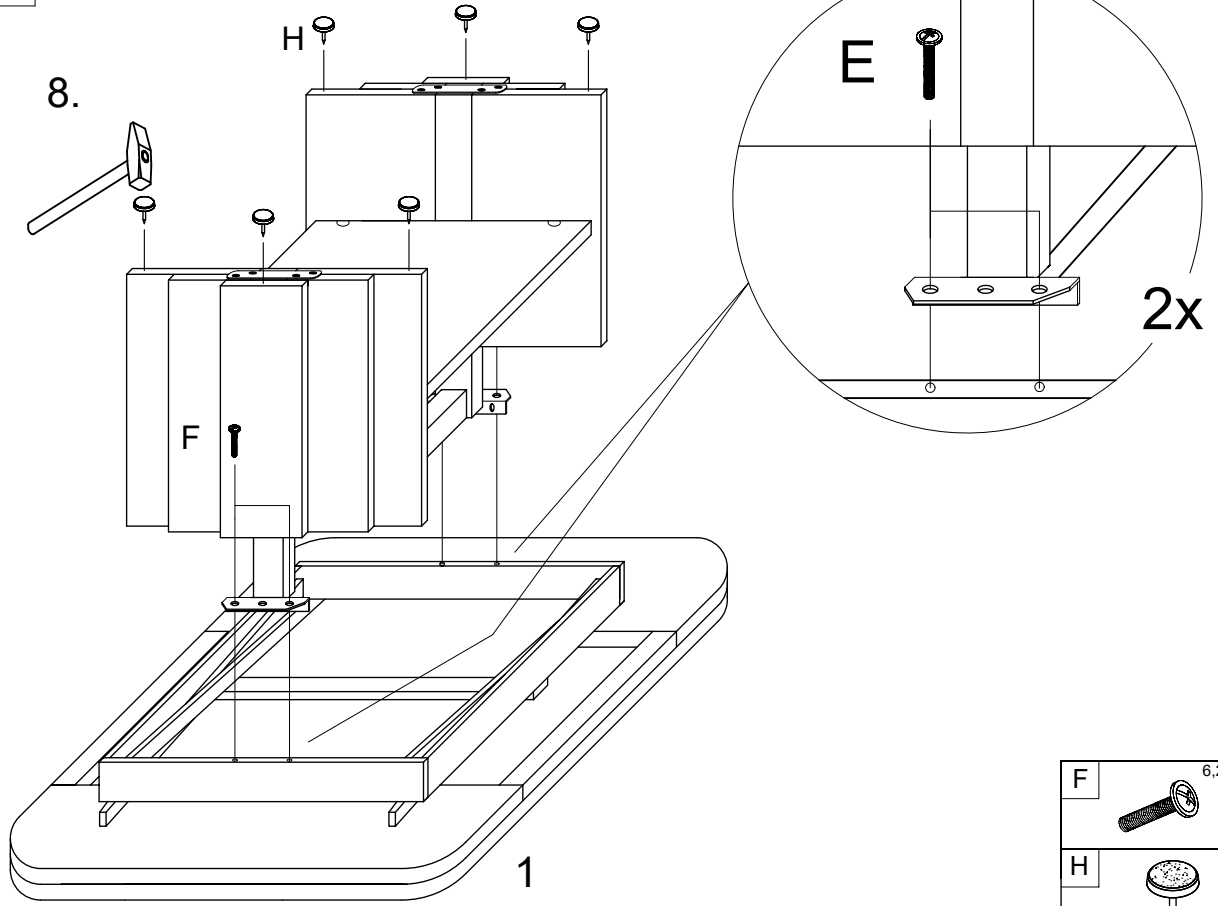




III.

7.



IV.



F		6,2x27mm	4x
H			6x

