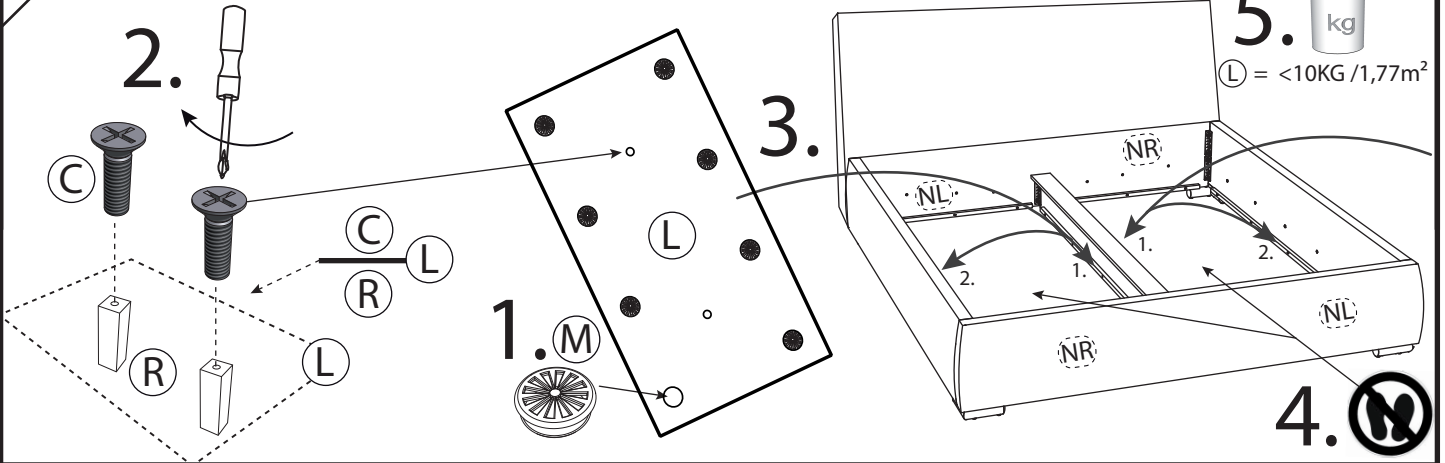


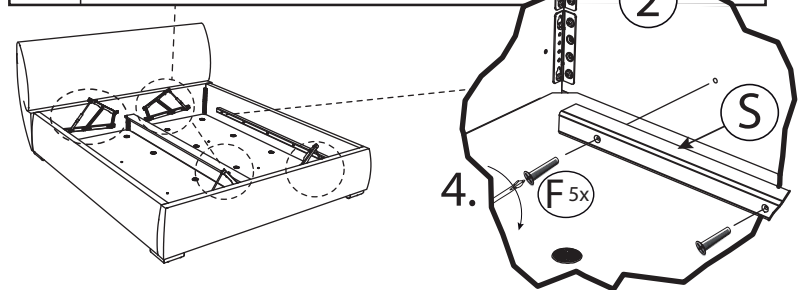
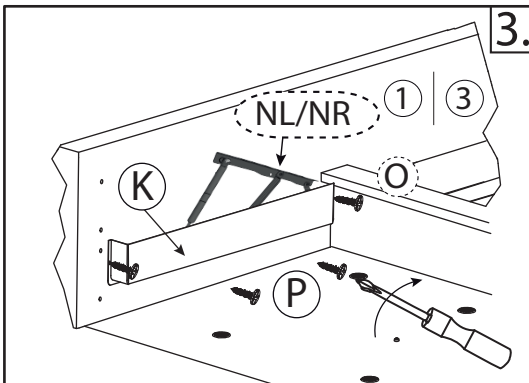
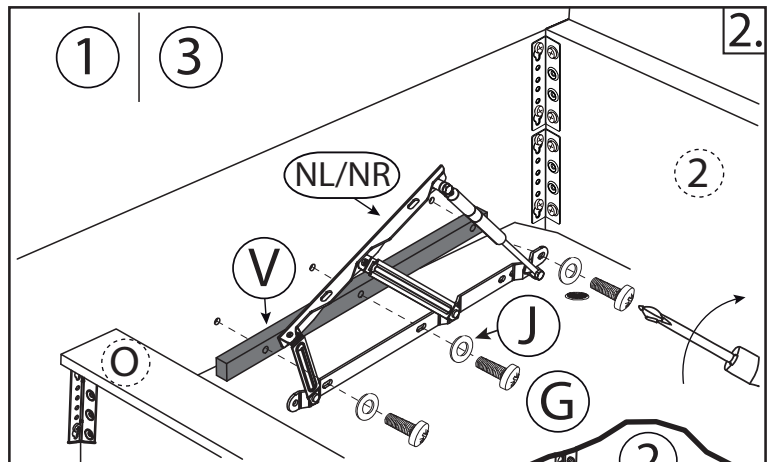
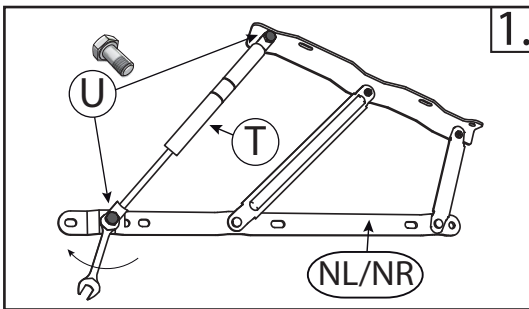
# BERN by meise

4



5.   
 $\text{L} = <10\text{KG} / 1,77\text{m}^2$

5



6

