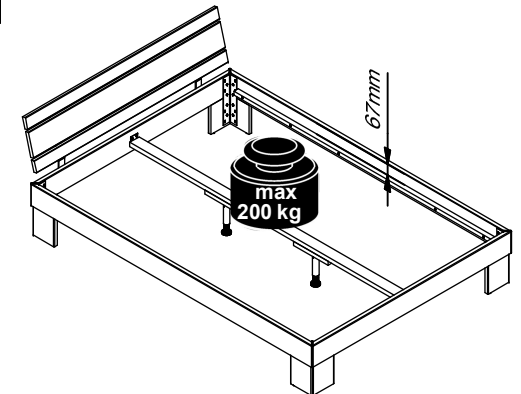
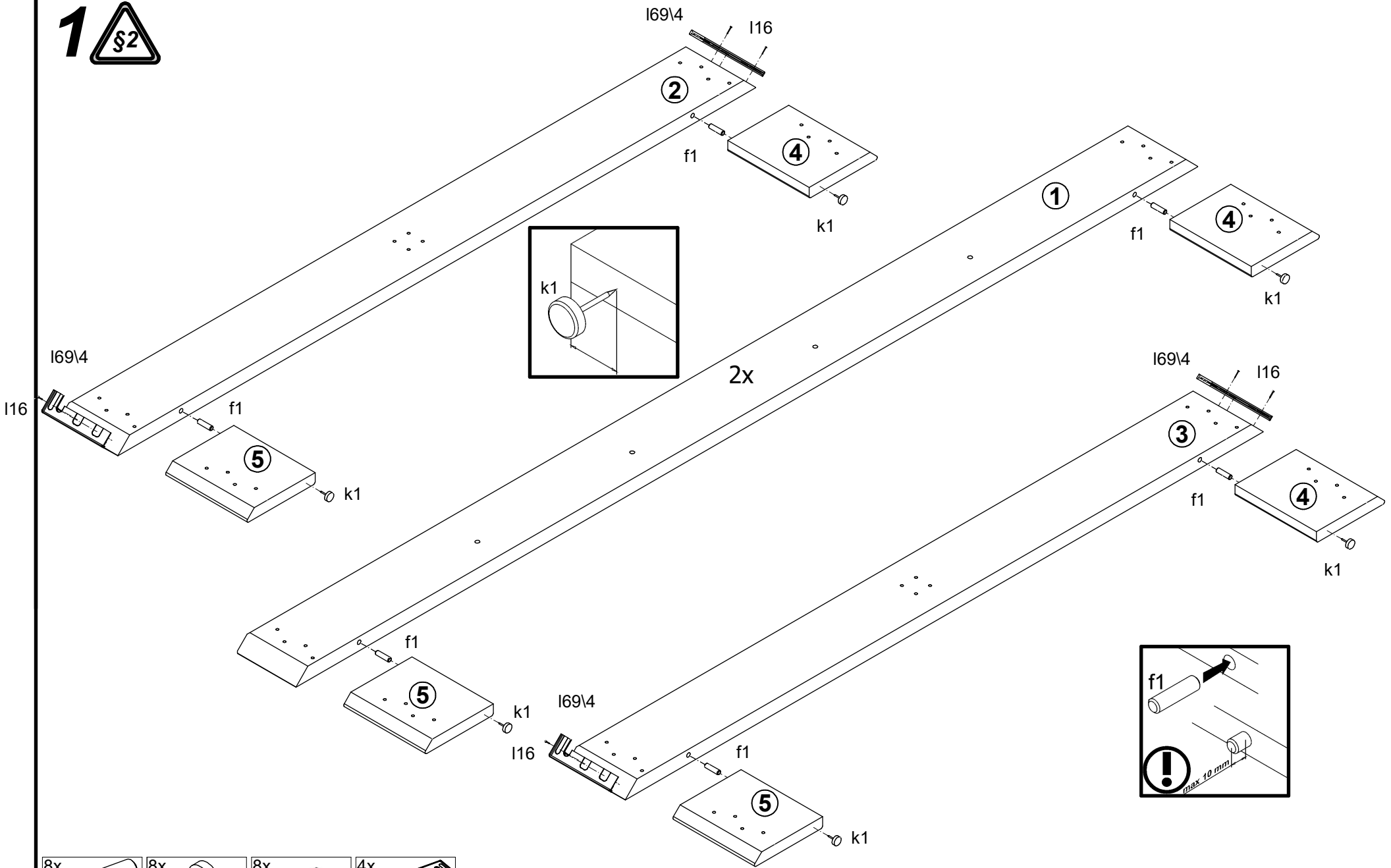


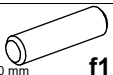

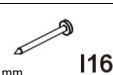

A	B	C (mm)			D
1	L131-1001	2050	135	28	2/2
2	L131-1002	1450	135	28	2/2
3	L131-1003	1450	135	28	2/2
4	L131-5001	185	155	22	1/2
5	L131-5002	185	155	22	1/2
6	L131-5003	1400	150	22	1/2
7	L131-5004	1400	70	22	1/2
8	ZZ1-759-01	250	70	27	2/2
9	ZZ1-777-01	1995	70	27	2/2
10	ZZ1-792	1880	25	30	2/2

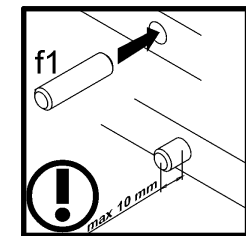


D
2/2

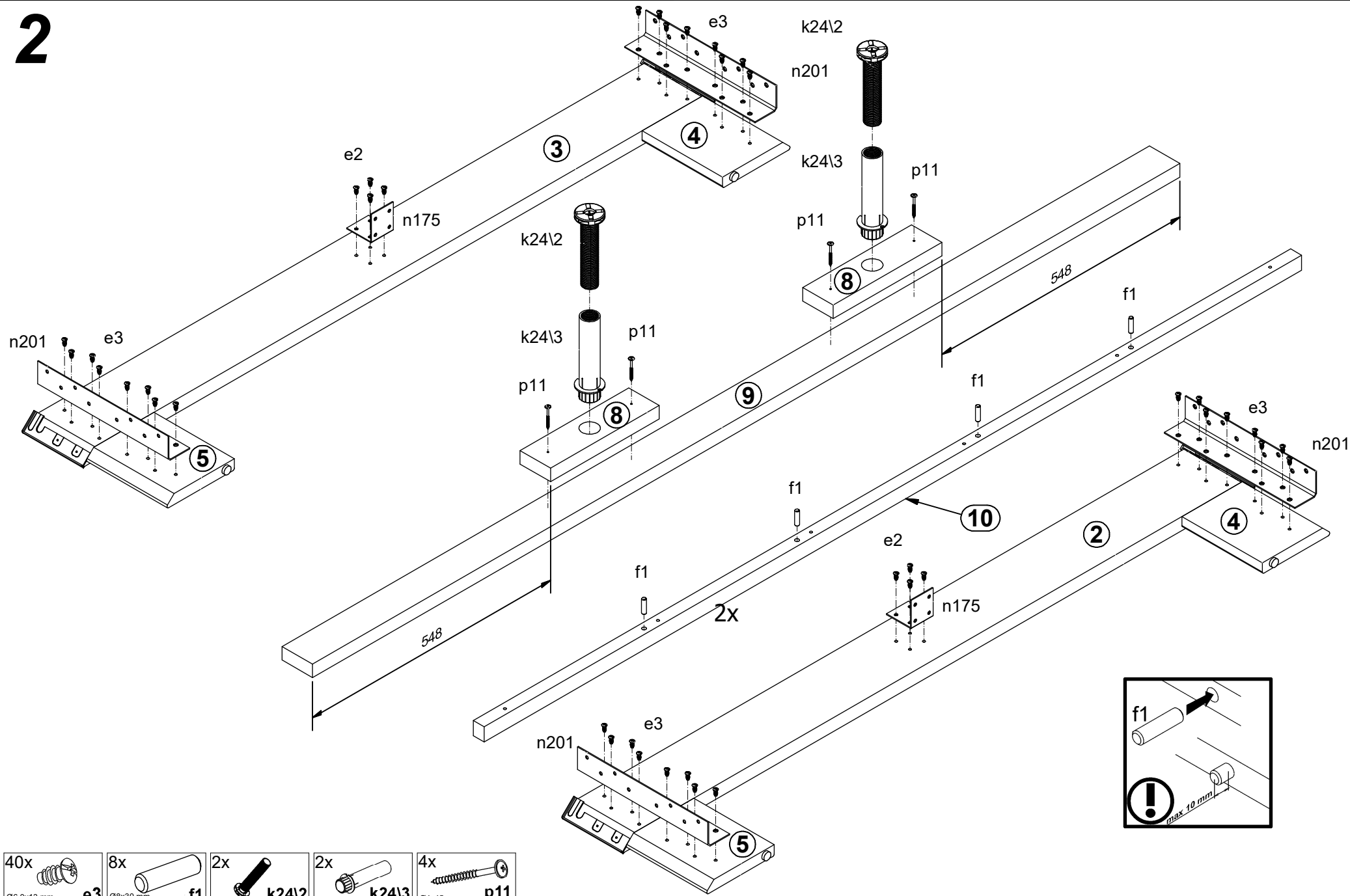
- 72x $\varnothing 6,0 \times 13$ mm **e3**
- 16x $\varnothing 8 \times 30$ mm **f1**
- 8x **k1**
- 2x **k2412**
- 2x **k2413**
- 10x 1×12 mm **l16**
- 4x **l6914**
- 2x $57 \times 57 \times 50,2$ mm **n175**
- 4x $300 \times 50 \times 50,2$ mm **n201**
- 2x **n268**
- 16x $\varnothing 4 \times 25$ mm **p36**
- 16x $\varnothing 4 \times 45$ mm **p11**
- 8x $\varnothing 3,5 \times 25$ mm **p16**
- 14x $\varnothing 5 \times 20$ mm **p45**



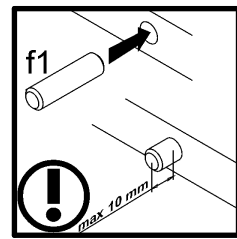
- 8x  f1
- 8x  k1
- 8x  I16
- 4x  I69\4



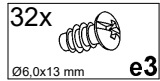
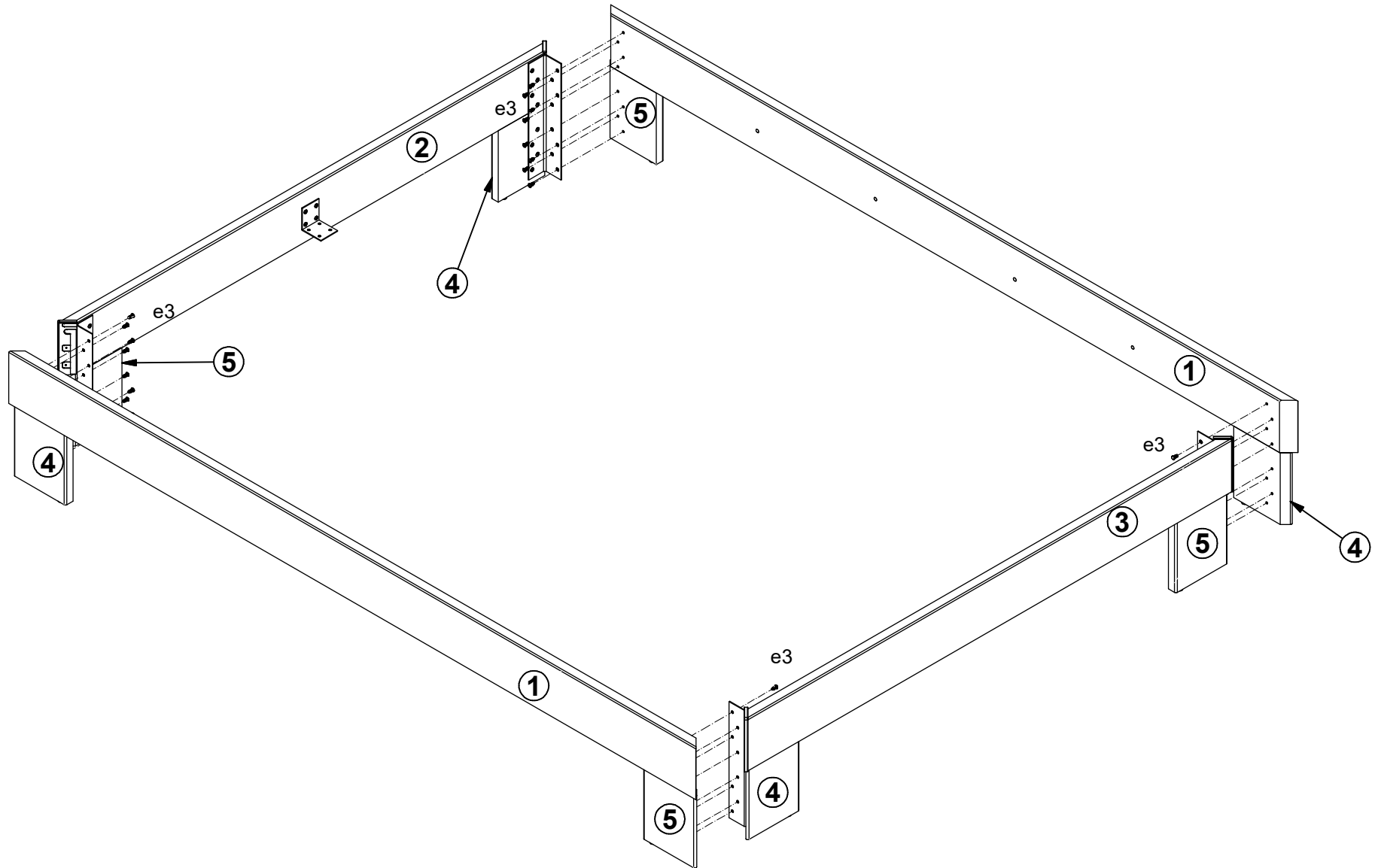
2



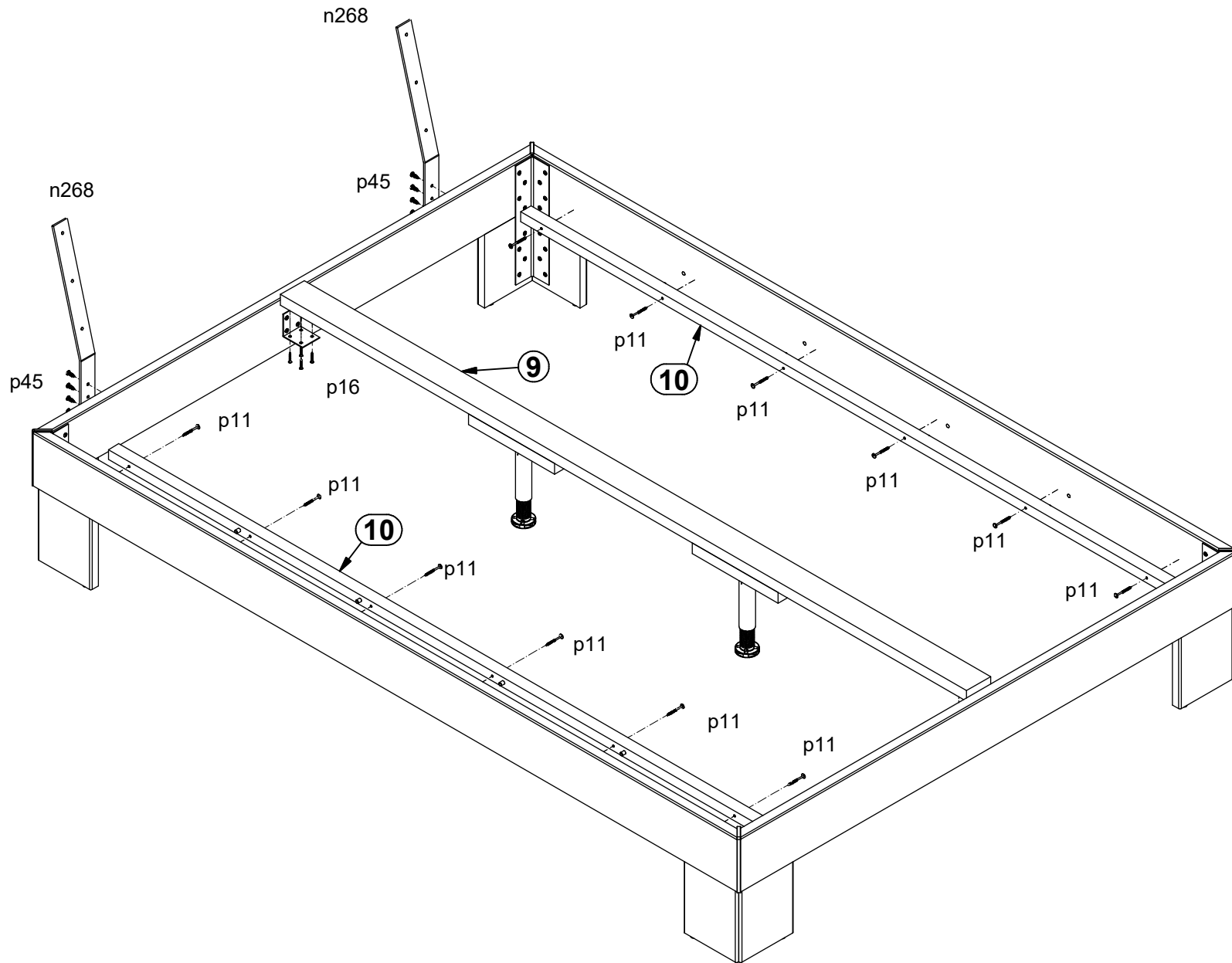
- 40x **e3** $\varnothing 6,0 \times 13$ mm
- 8x **f1** $\varnothing 8 \times 30$ mm
- 2x **k24/2**
- 2x **k24/3** $\varnothing 4 \times 45$ mm
- 4x **p11** $\varnothing 4 \times 45$ mm


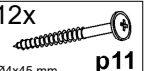




3



4



- | | | | |
|--|--|---|---|
| 2x

n268 | 12x

Ø4x45 mm p11 | 8x

Ø3,5x25 mm p16 | 8x

Ø5x20 mm p45 |
|--|--|---|---|

5

