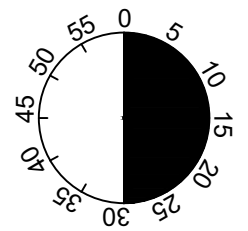
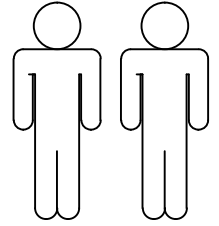
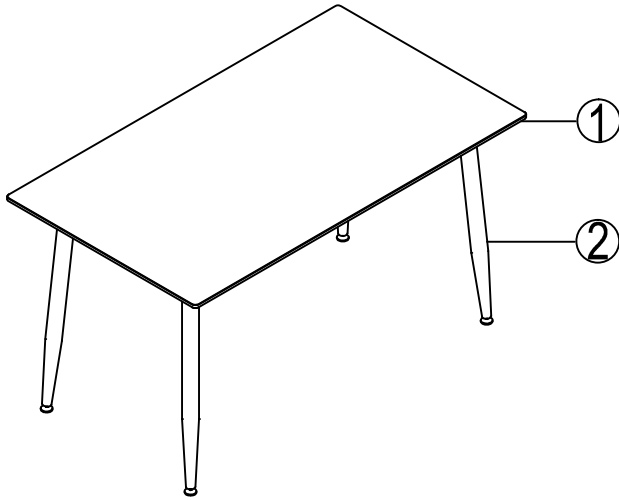
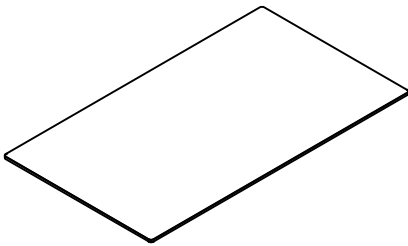


# Xenia



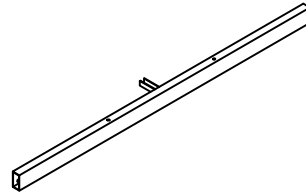
1



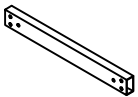
2



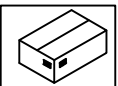
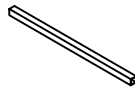
3



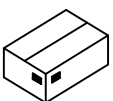
4



5



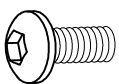
1	1 x	1/2
2	4 x	2/2
3	2 x	2/2
4	2 x	2/2
5	1 x	2/2



2/2

A

M8x10



24x

B

M6x12



4x

C

Ø30



8x

D

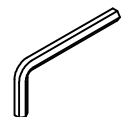
4MM



1x

E

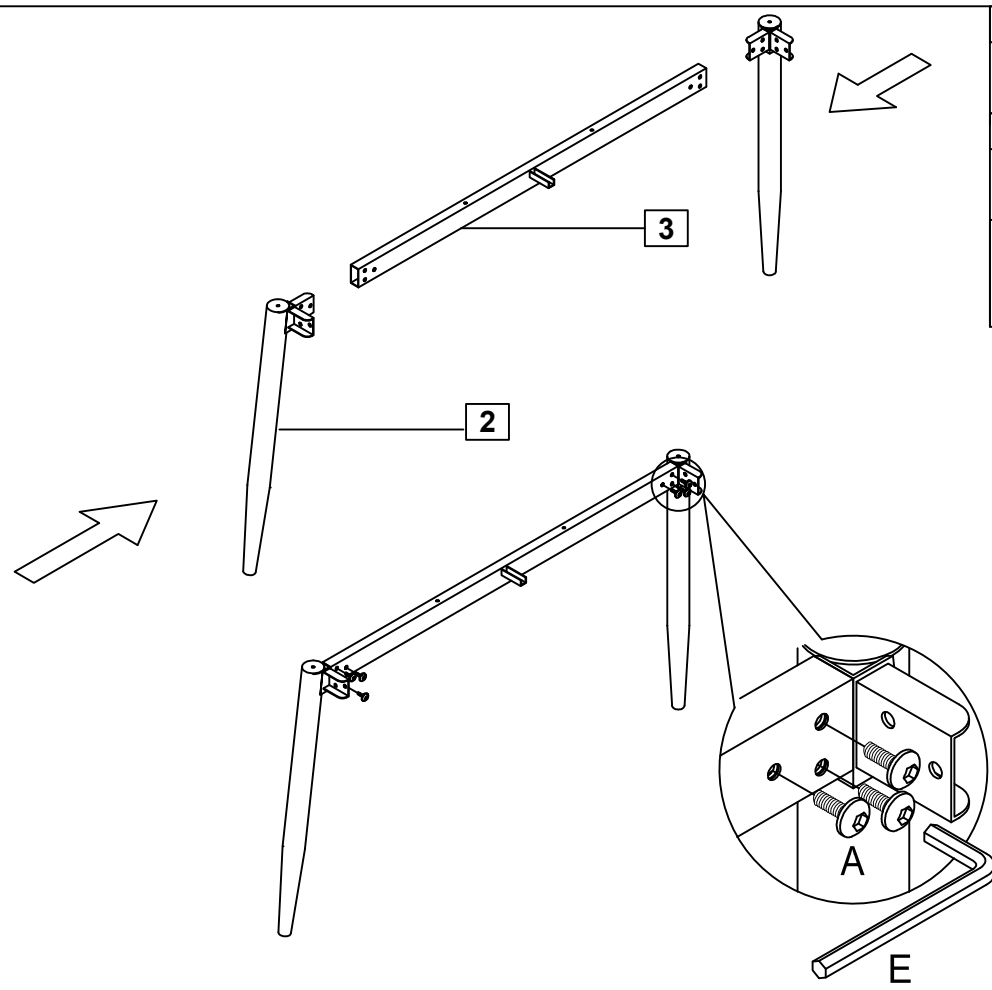
6MM



1x

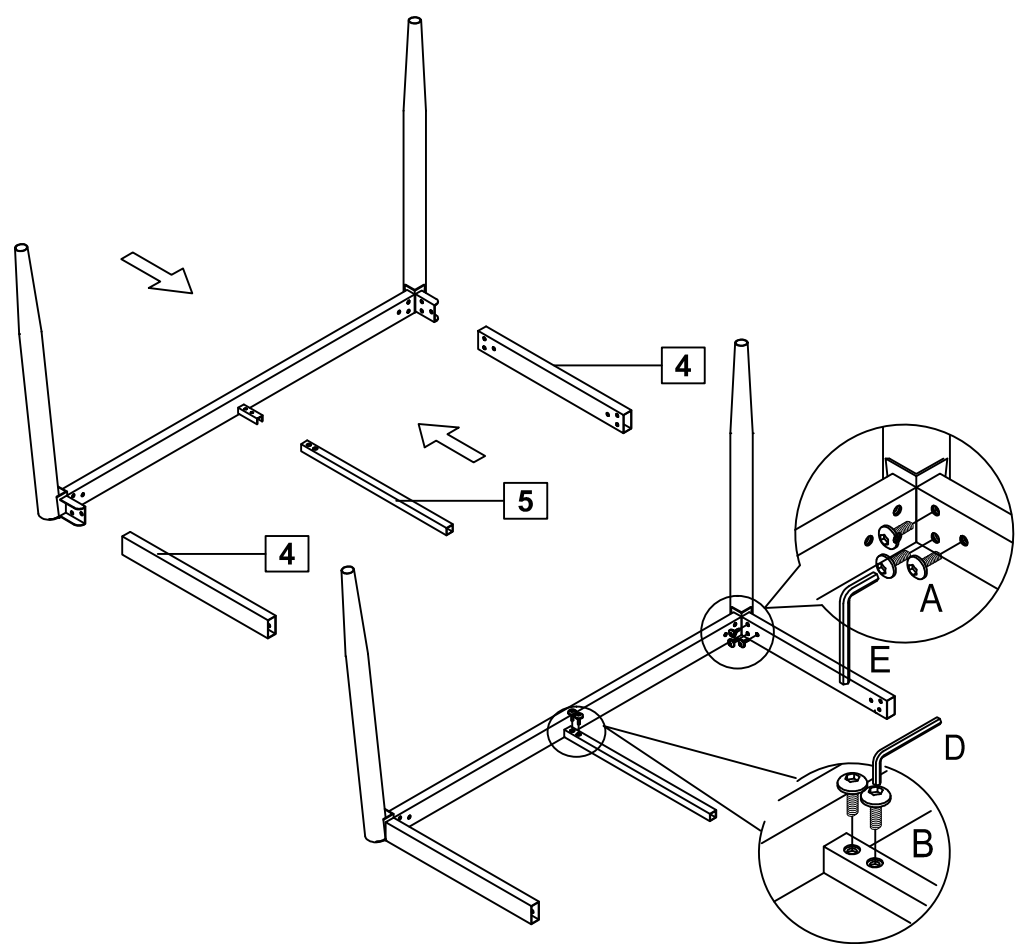
I.

1



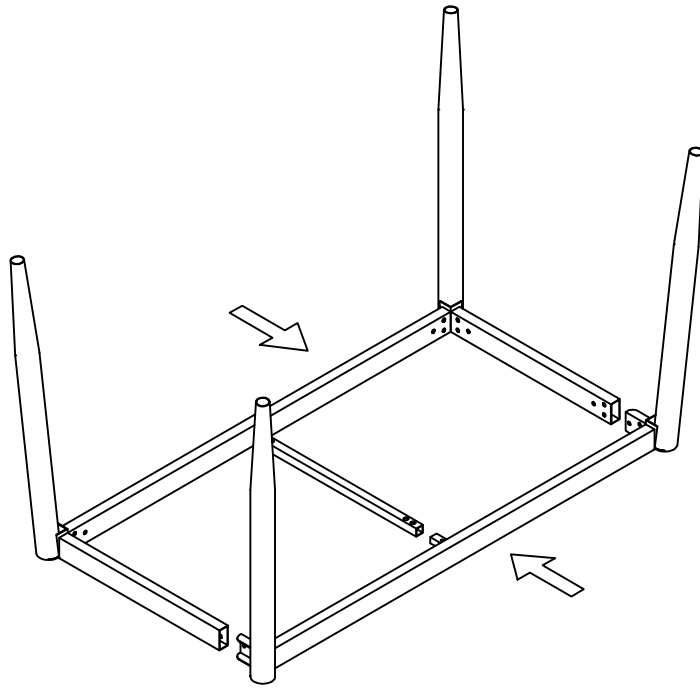
- A M8x10 12x
- E 6MM 1x
- 75%

2

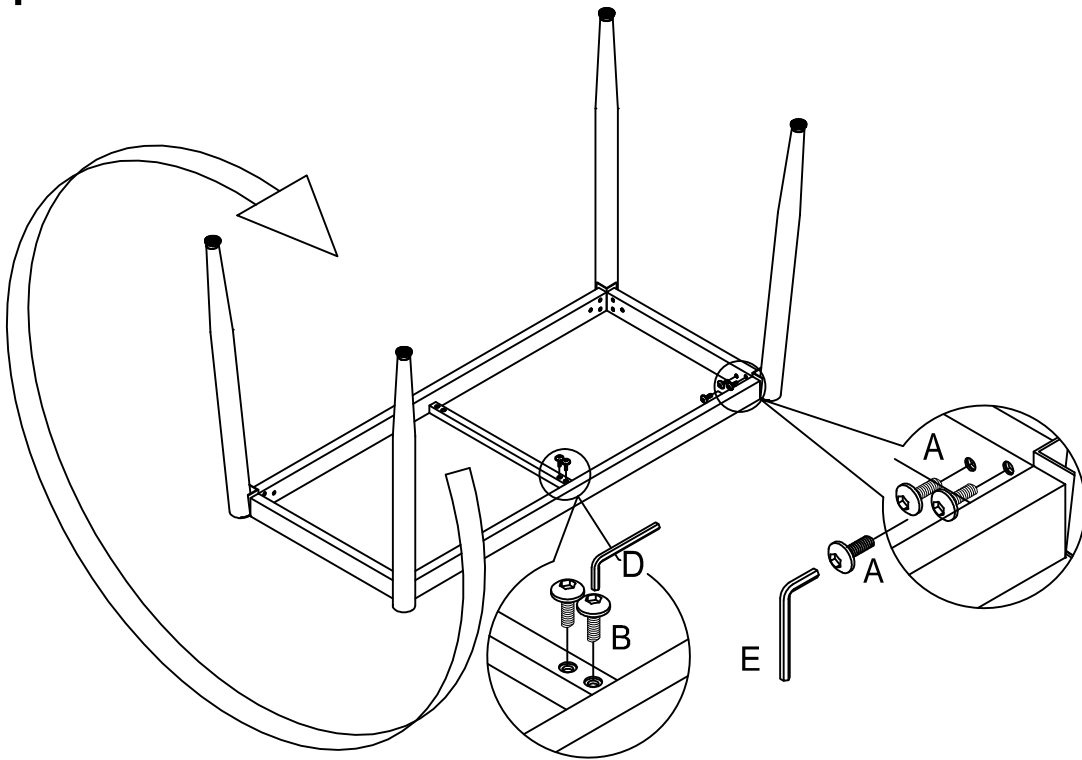


- A M8x10 6x
- E 6MM 1x
- B M6x12 2x
- D 4MM 1x
- 75%

3



4



- A M8x10  
6x
- E 6MM  
1x
- B M6x12  
2x
- D 4MM  
1x
- 75%

III.

C

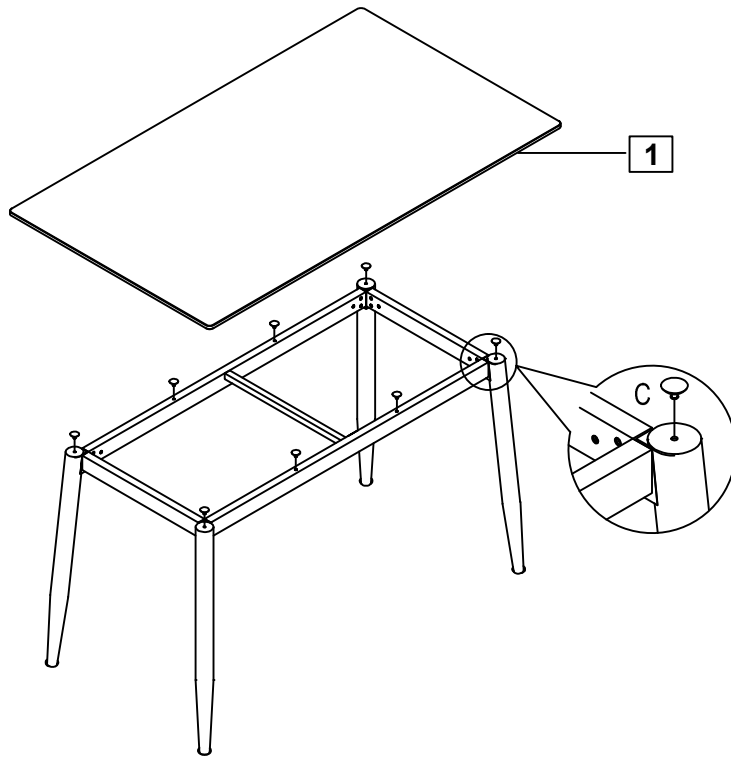
Ø30



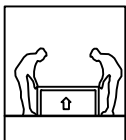
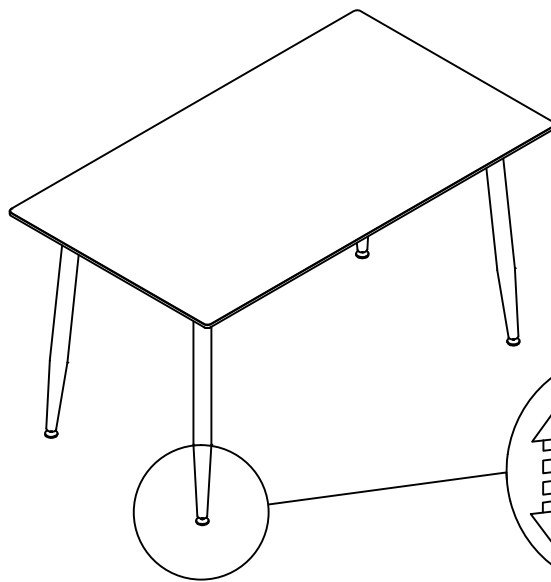
8x



5



6



LE TRI  
+ FACILE



BAC  
DE  
TRI

Séparez les éléments avant de trier