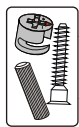
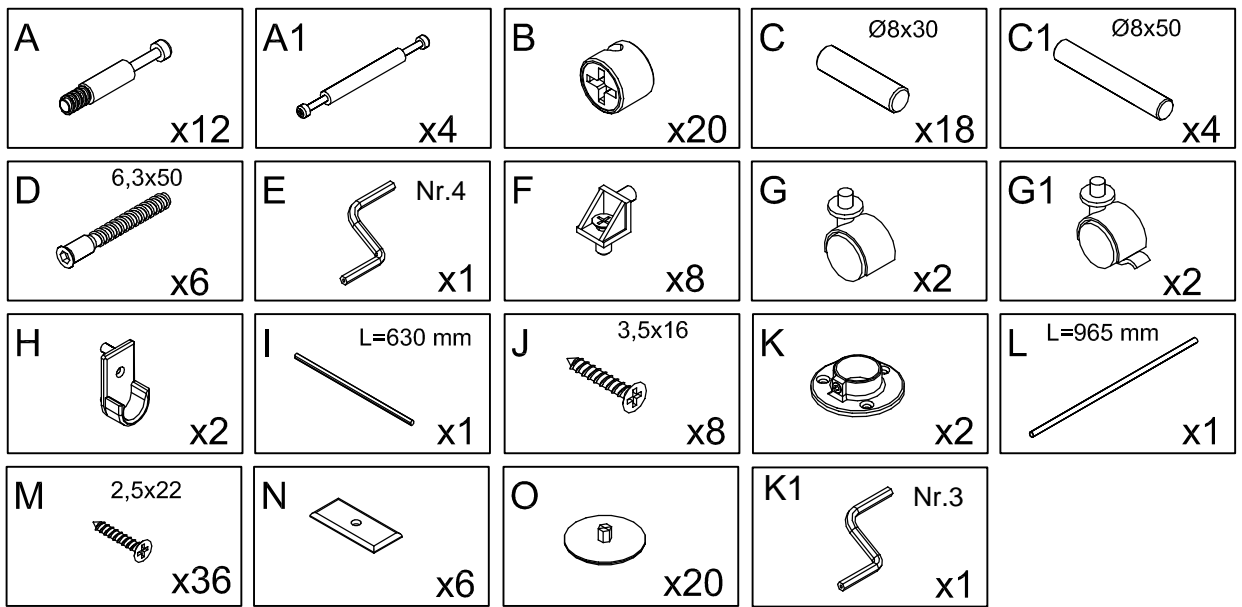
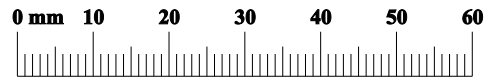


| | | | | |
|--|--|--|--|--|
| | | | | |
| | | | | |
| | | | | |

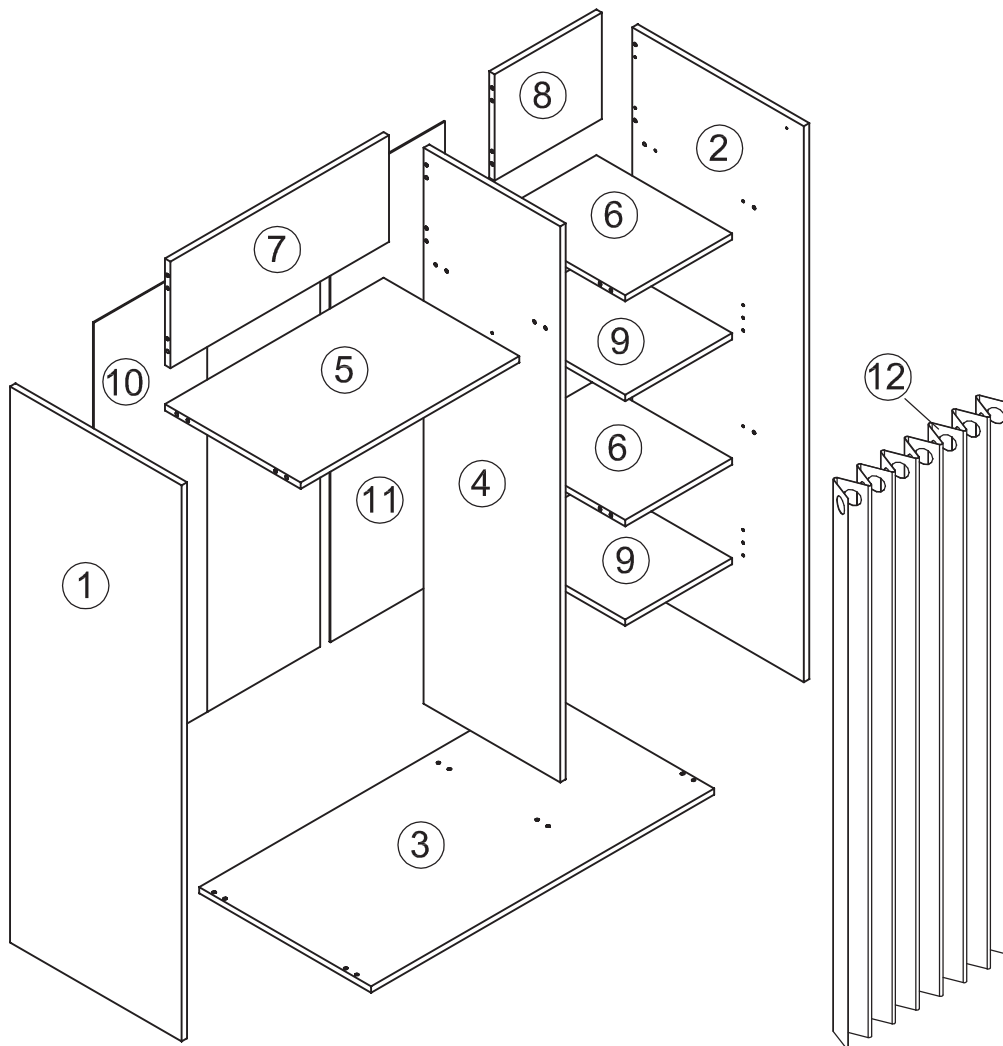


1/2

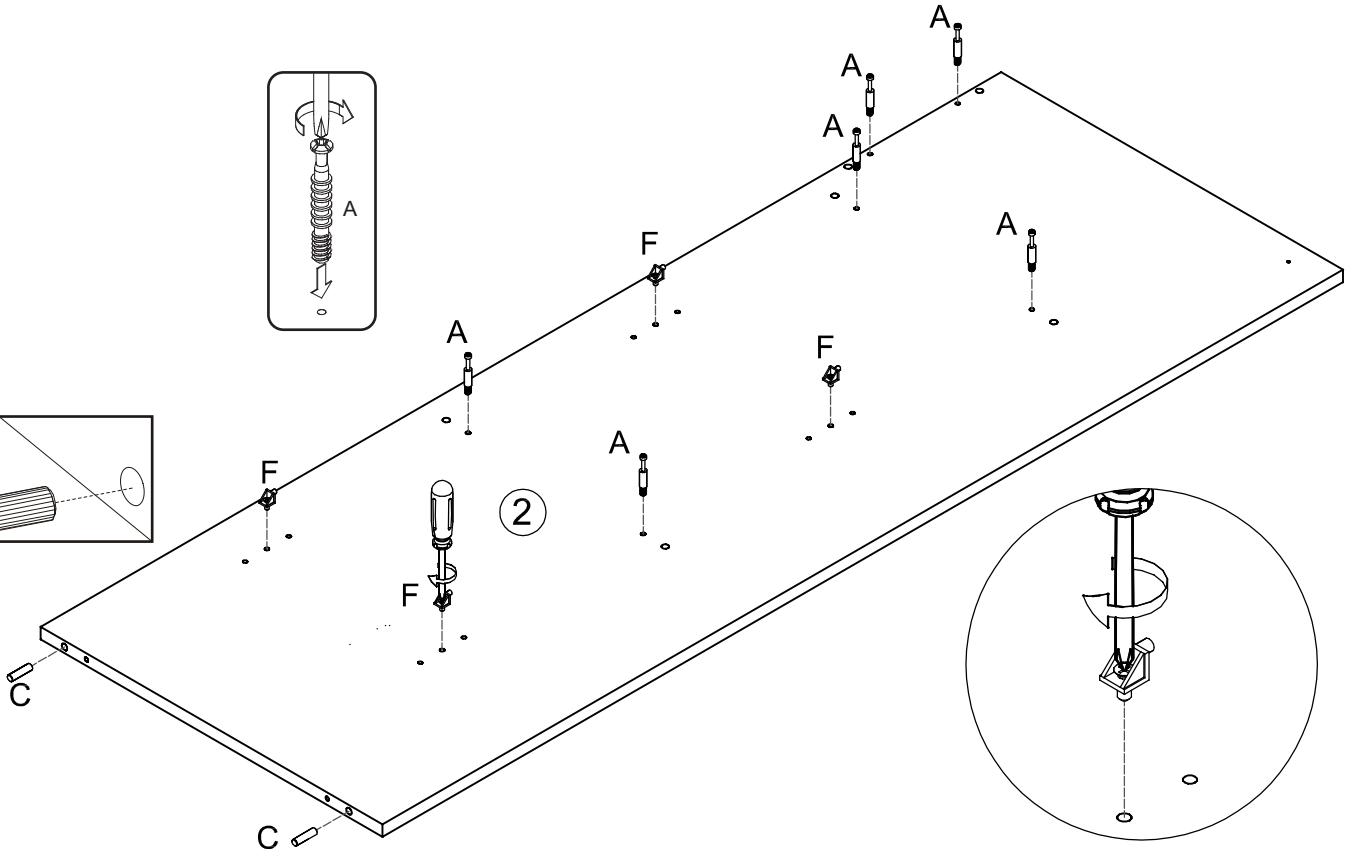
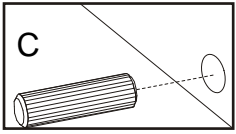
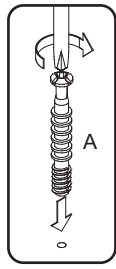
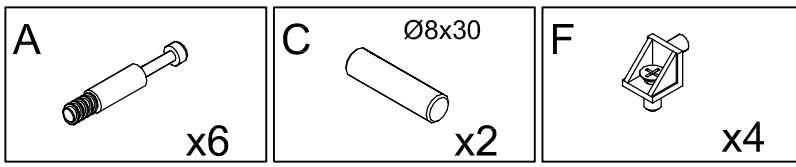


| | | | |
|---|----|---------------------|-----|
| 1 | x1 | ca. 1404 x 500 x 16 | 2/2 |
| 2 | x1 | ca. 1404 x 500 x 16 | 2/2 |
| 3 | x1 | ca. 1000 x 502 x 16 | 1/2 |
| 4 | x1 | ca. 1404 x 398 x 16 | 2/2 |
| 5 | x1 | ca. 638 x 396 x 16 | 1/2 |
| 6 | x1 | ca. 312 x 396 x 16 | 1/2 |

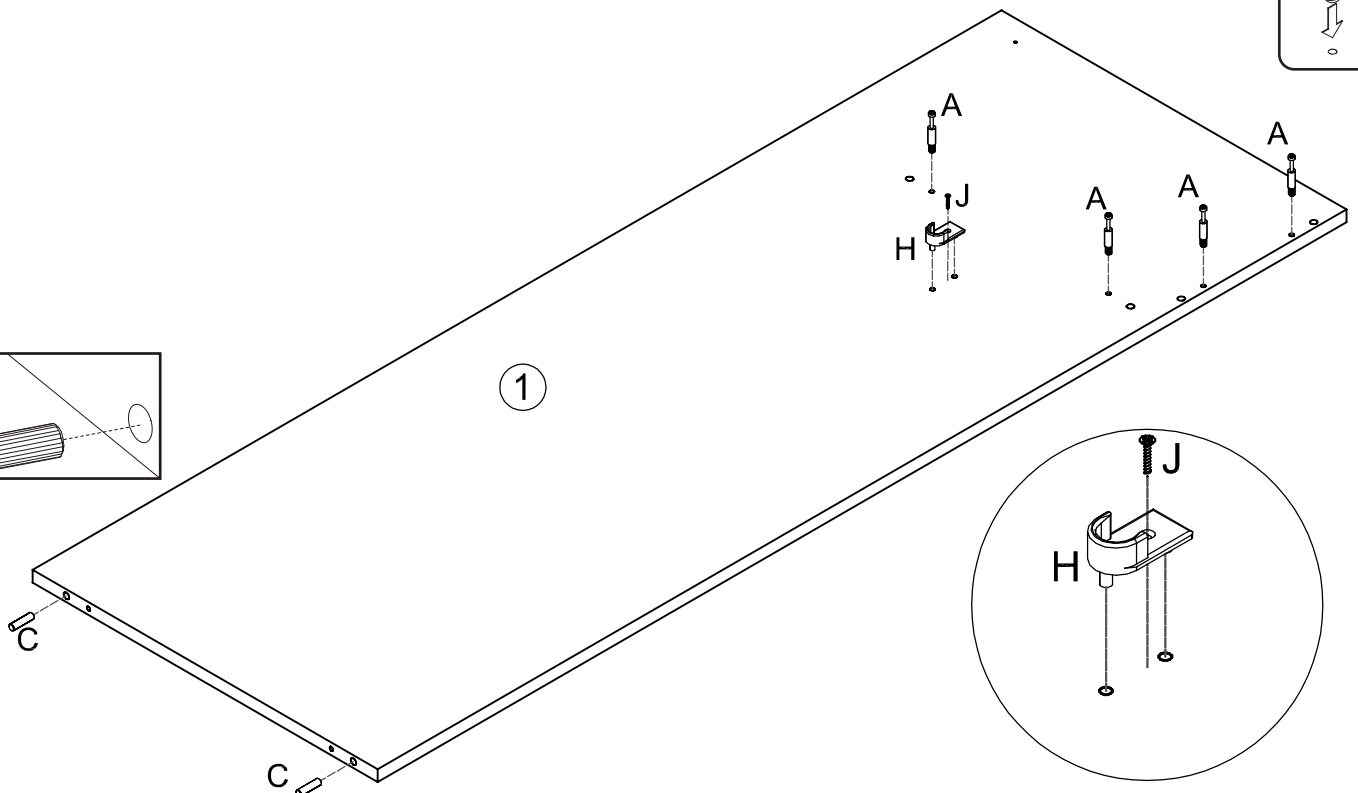
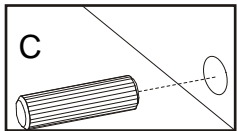
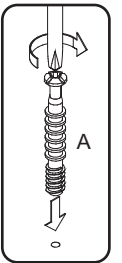
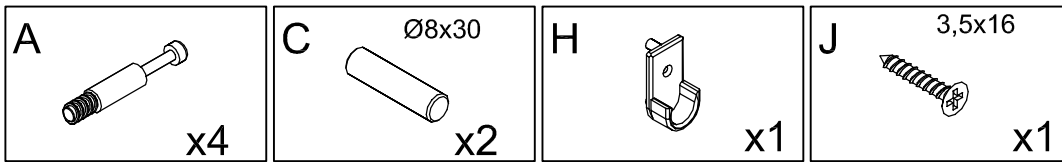
| | | | |
|----|----|--------------------|-----|
| 7 | x1 | ca. 638 x 269 x 16 | 1/2 |
| 8 | x1 | ca. 312 x 269 x 16 | 1/2 |
| 9 | x2 | ca. 312 x 396 x 16 | 1/2 |
| 10 | x1 | ca. 1148 x 334 x 3 | 2/2 |
| 11 | x2 | ca. 1148 x 330 x 3 | 2/2 |
| 12 | x1 | ca. 1350 x 1400 | 2/2 |



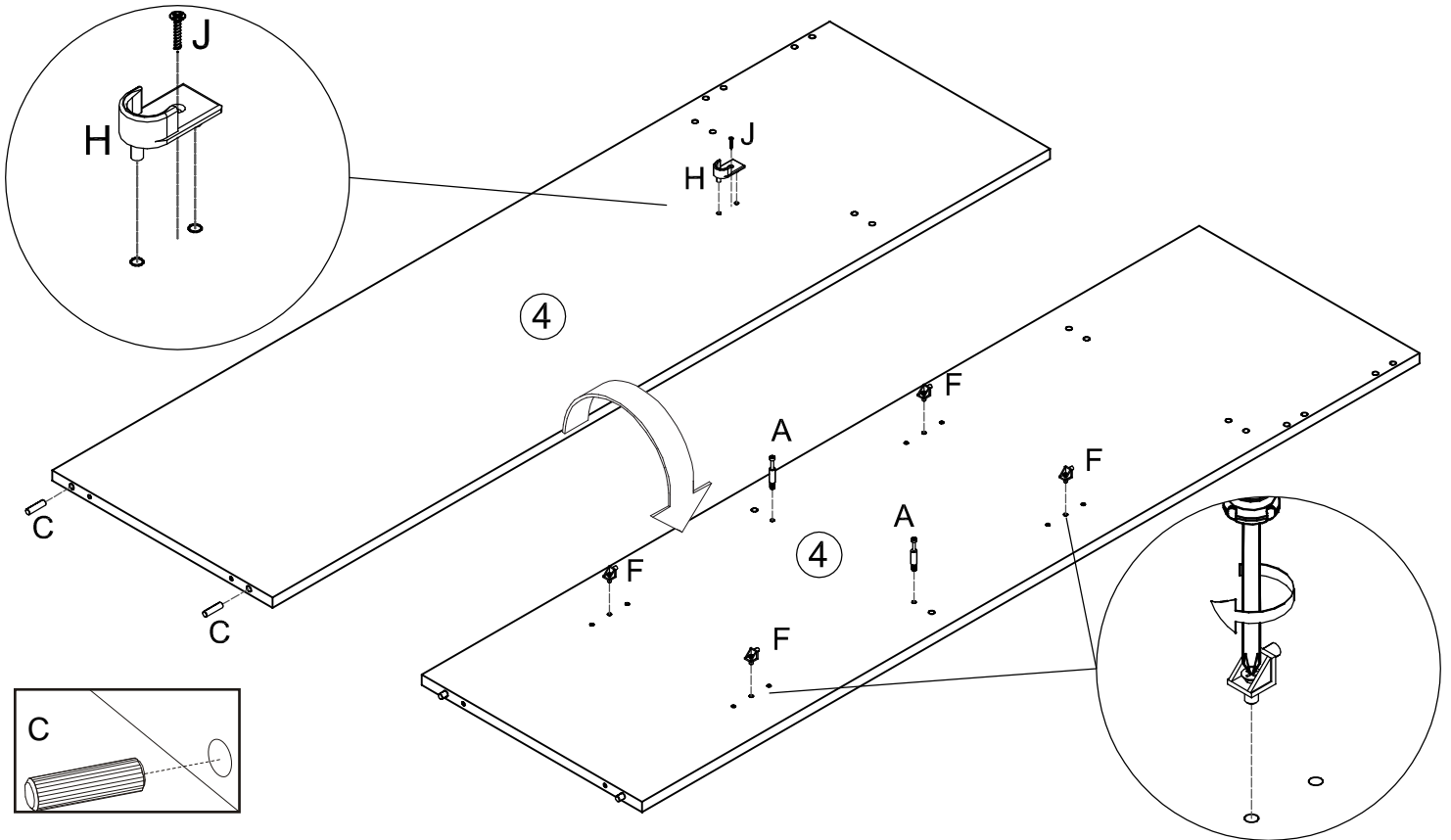
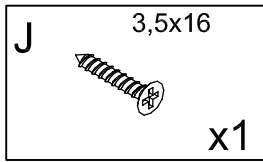
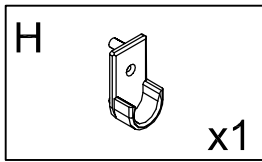
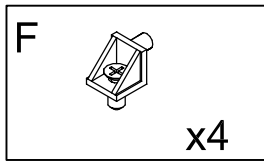
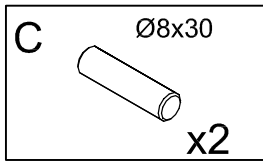
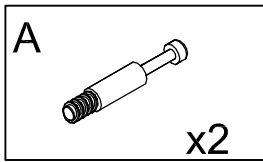
1



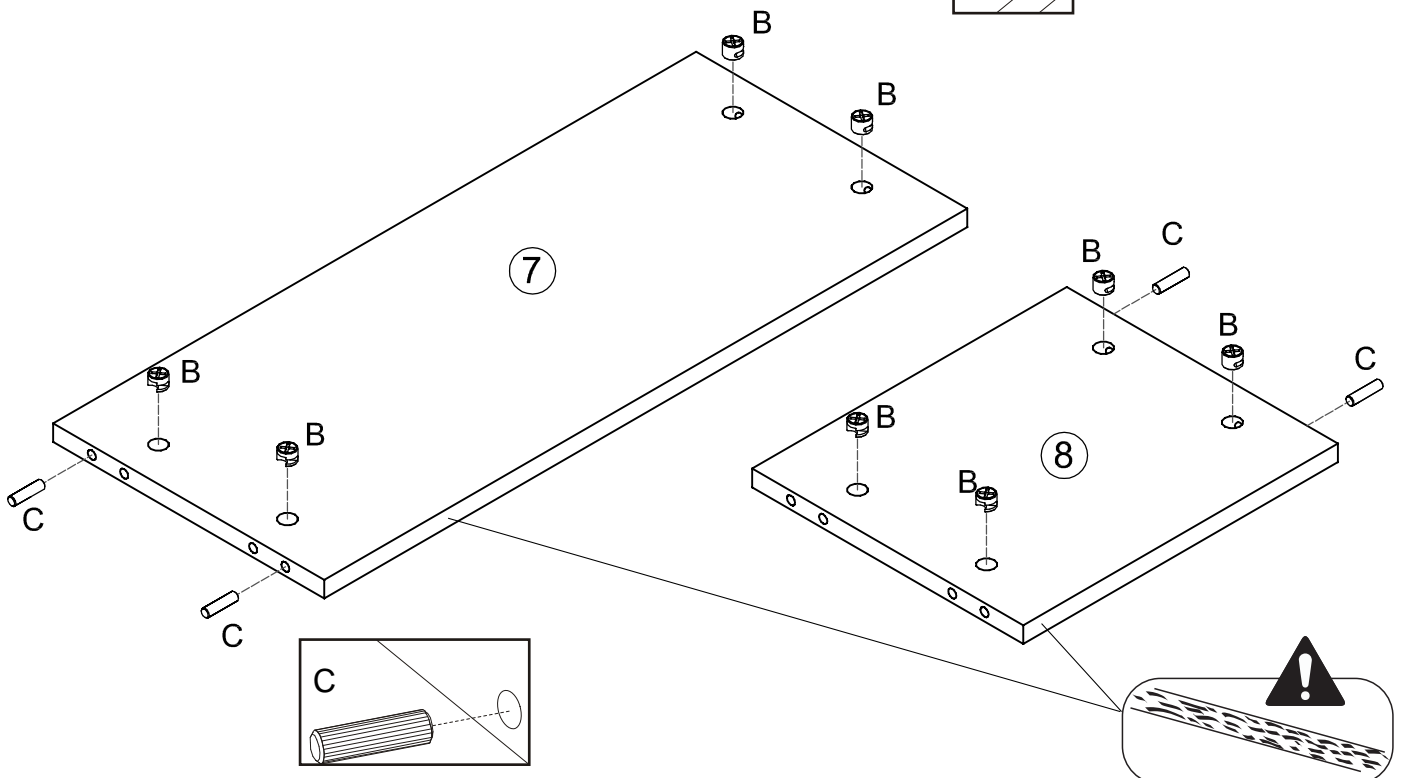
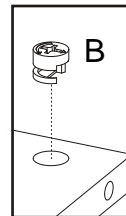
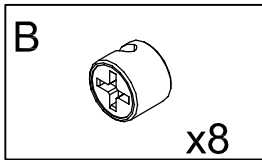
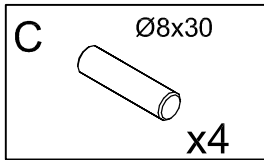
2



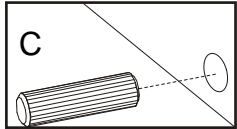
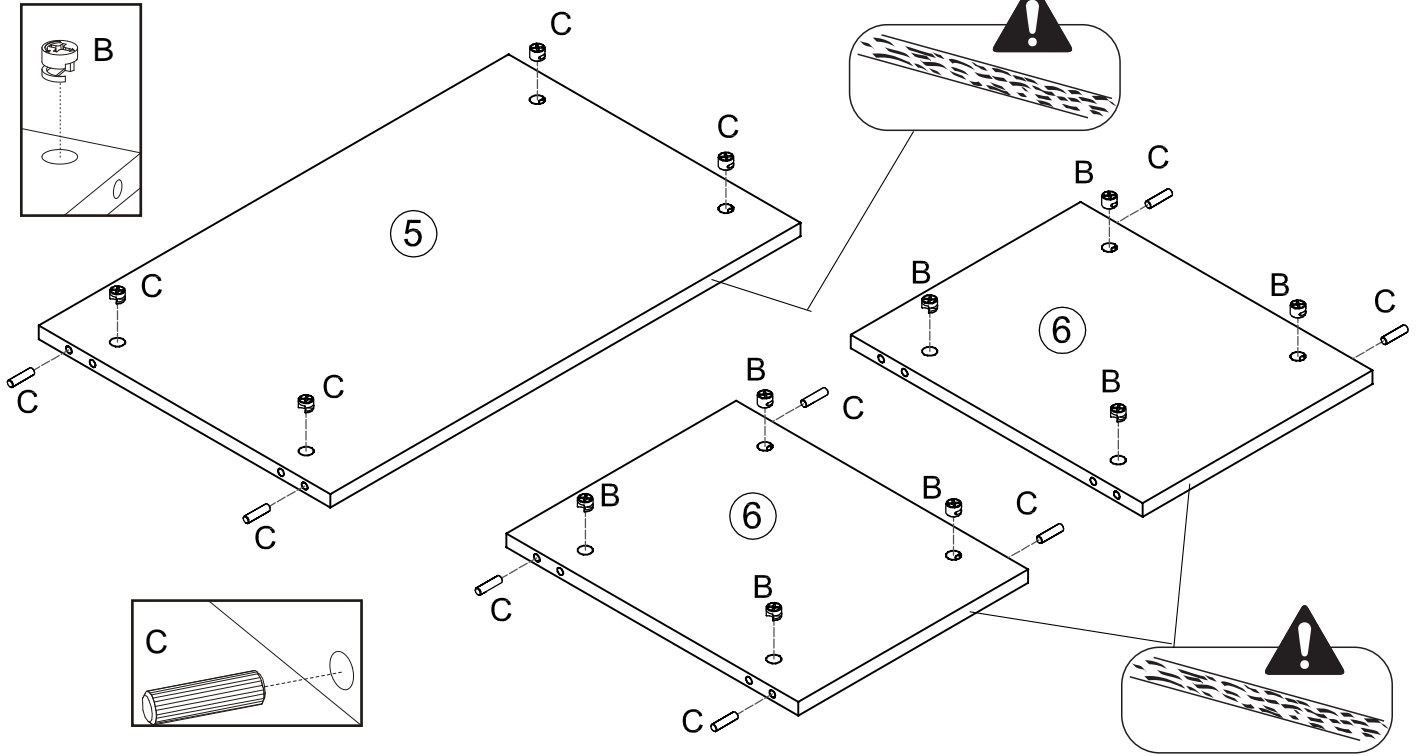
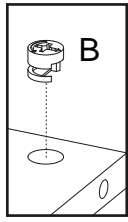
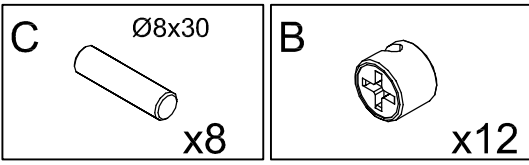
3



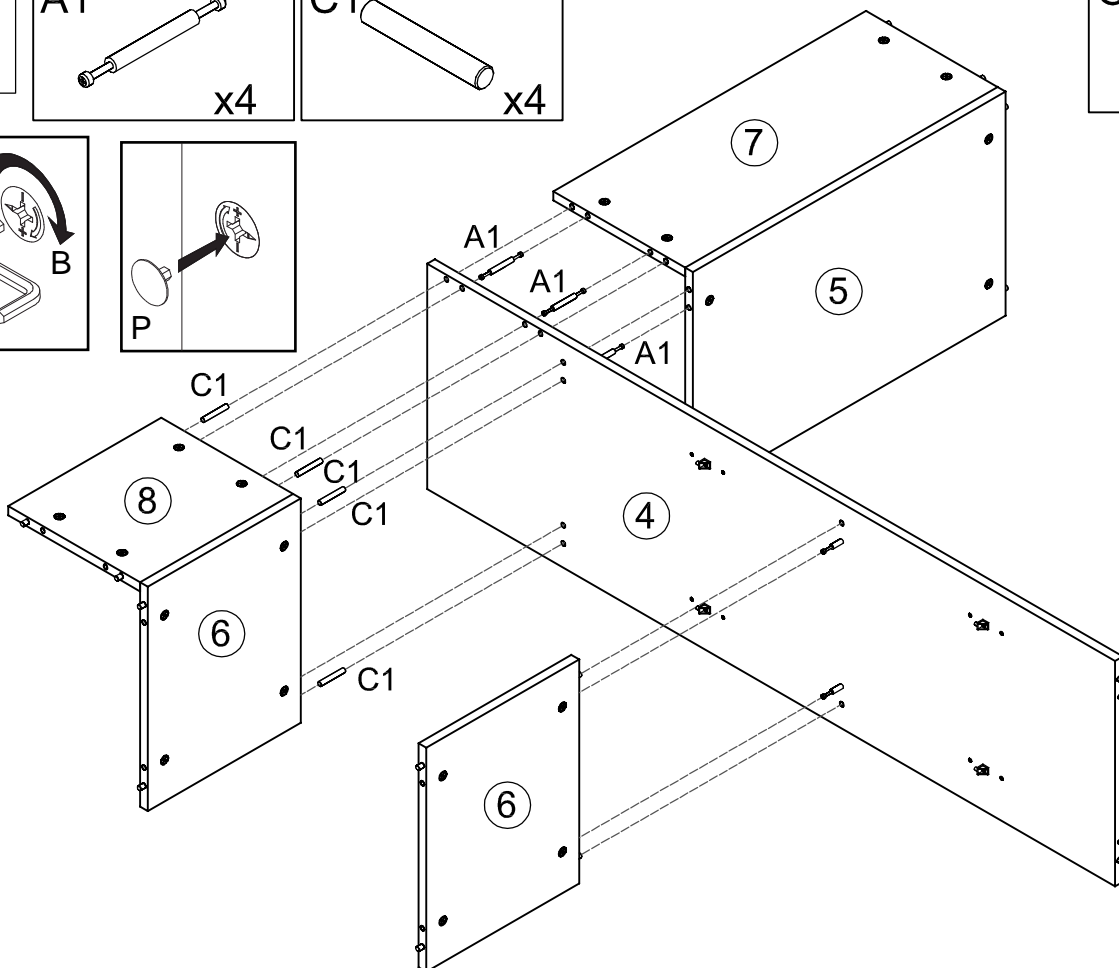
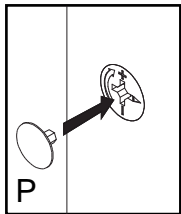
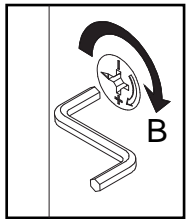
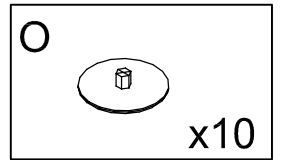
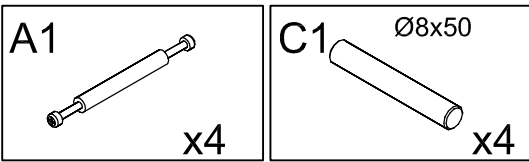
4



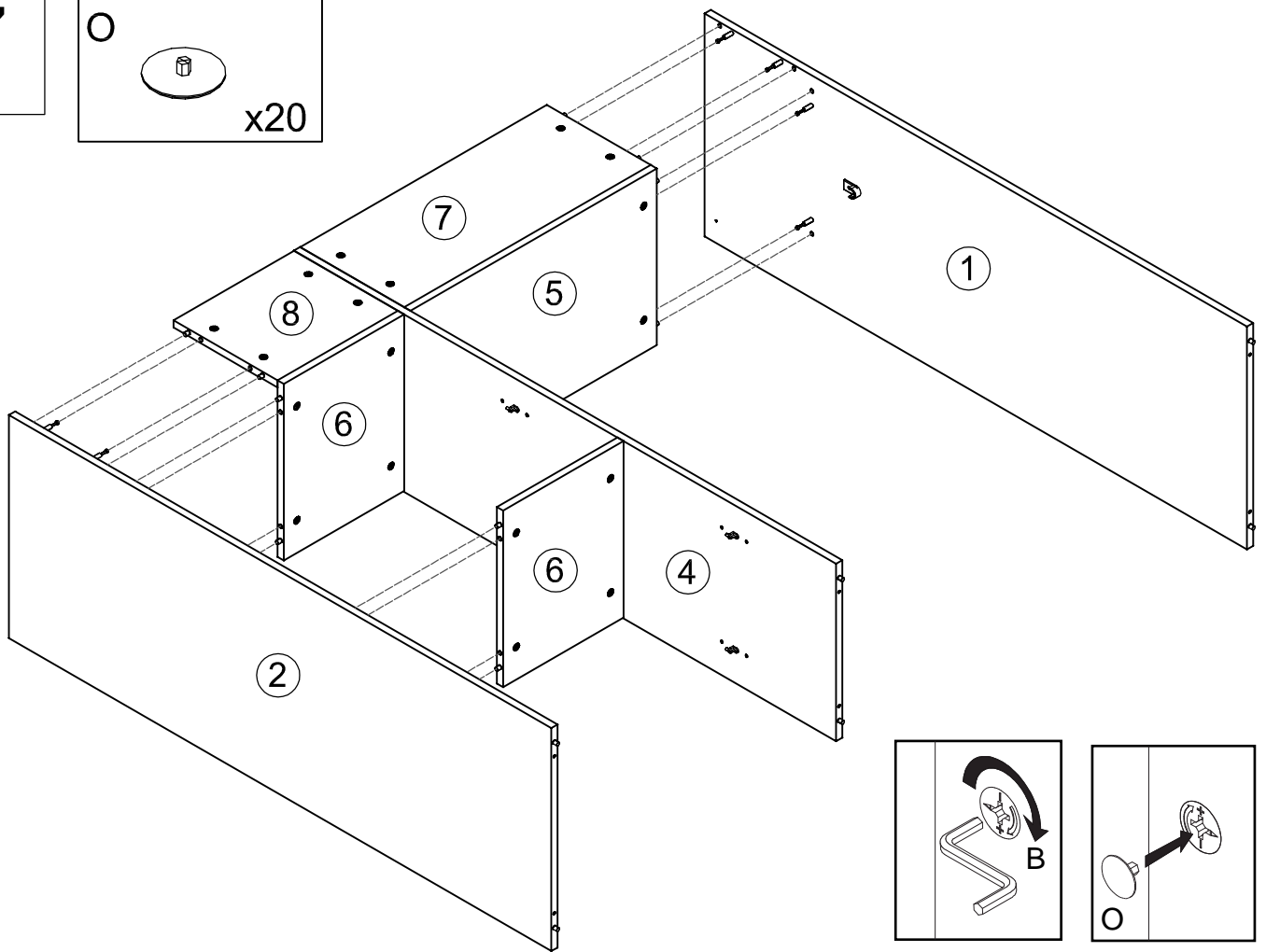
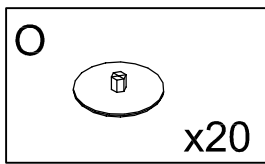
5



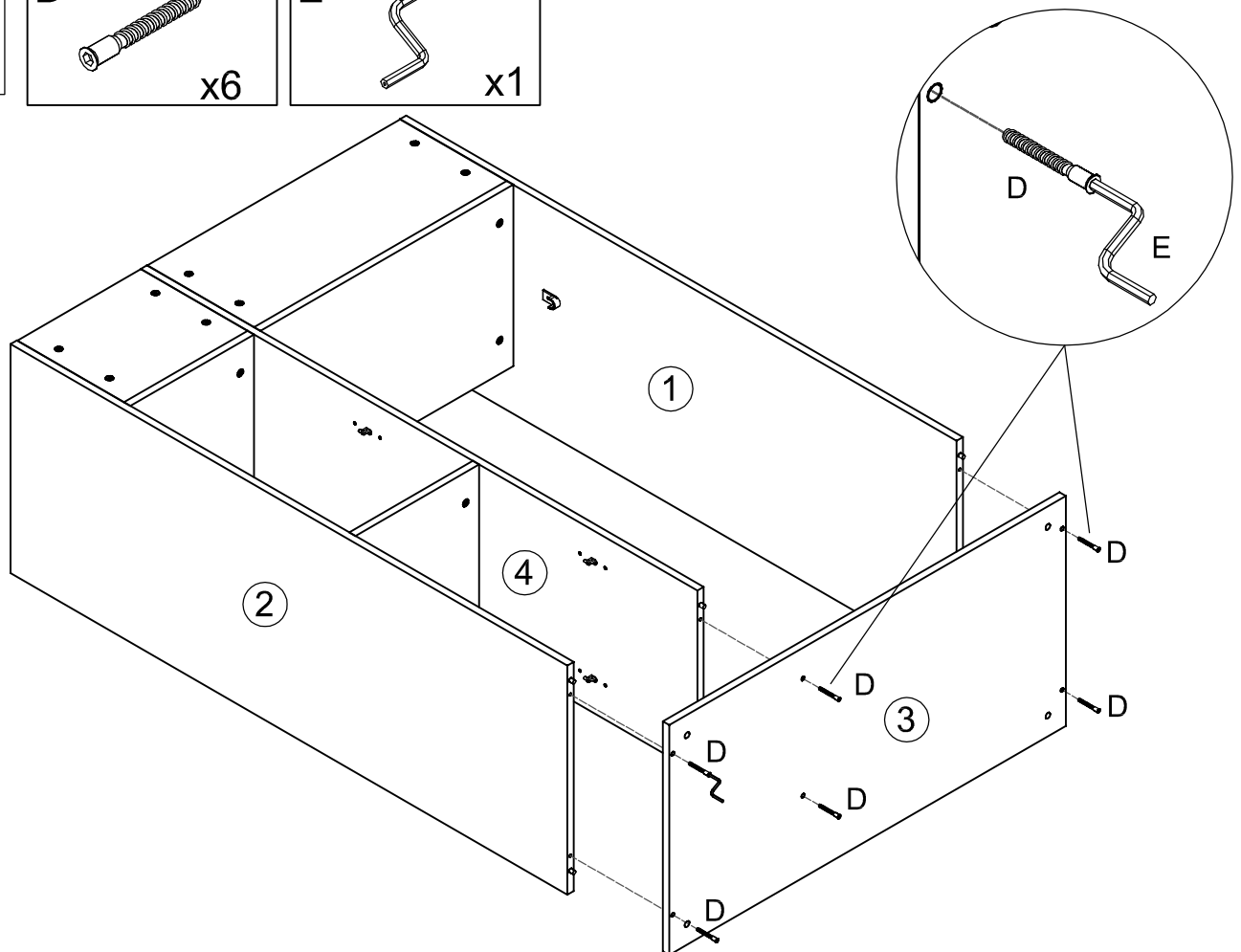
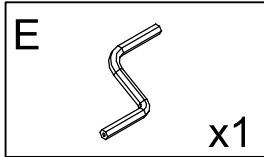
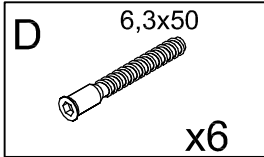
6



7



8



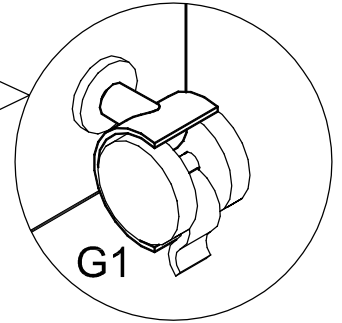
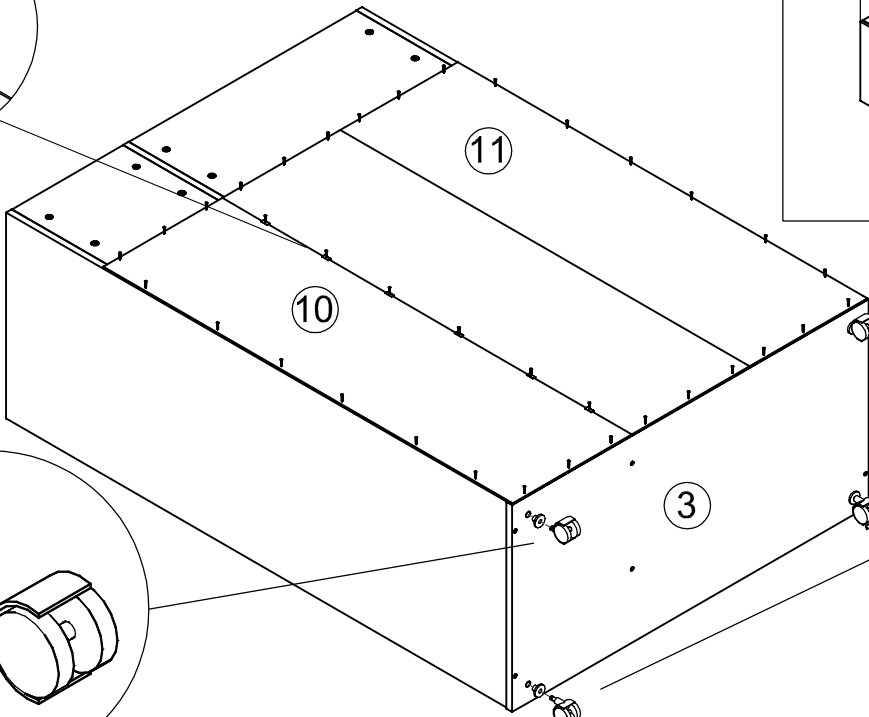
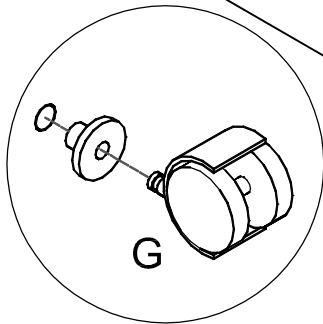
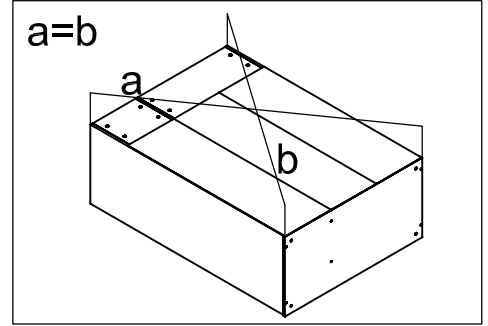
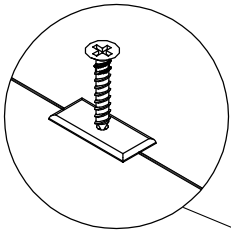
9

M 2,5x22
x36

N
x6

G
x2

G1
x2

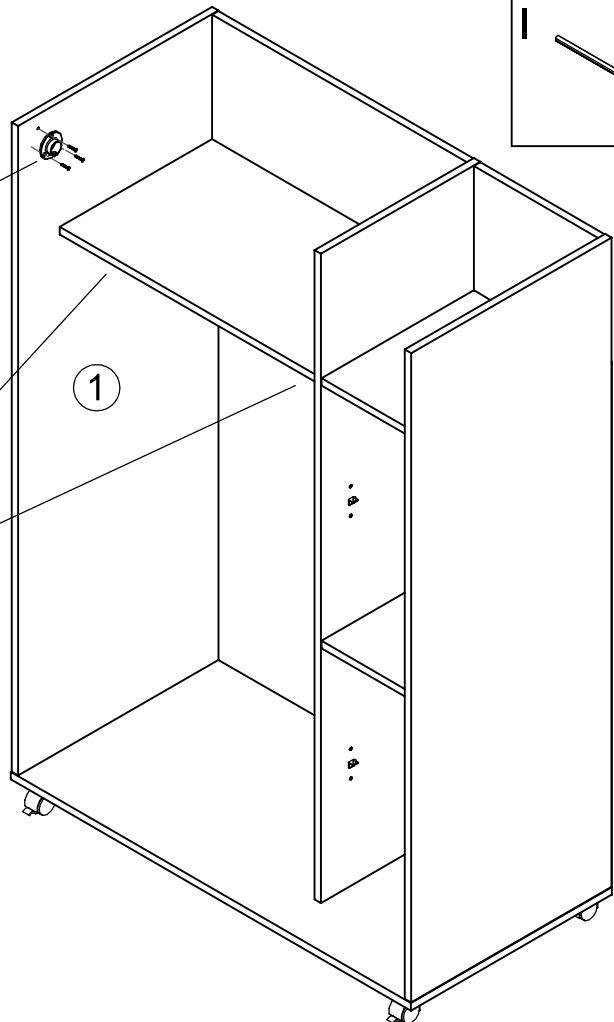
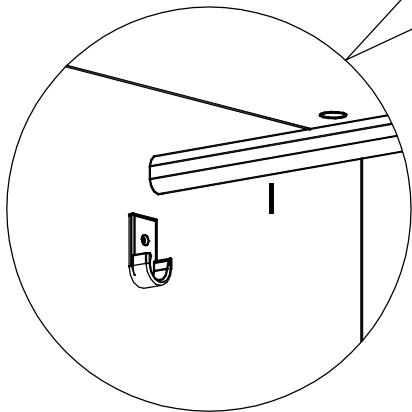
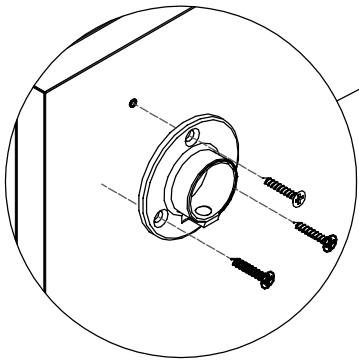


10

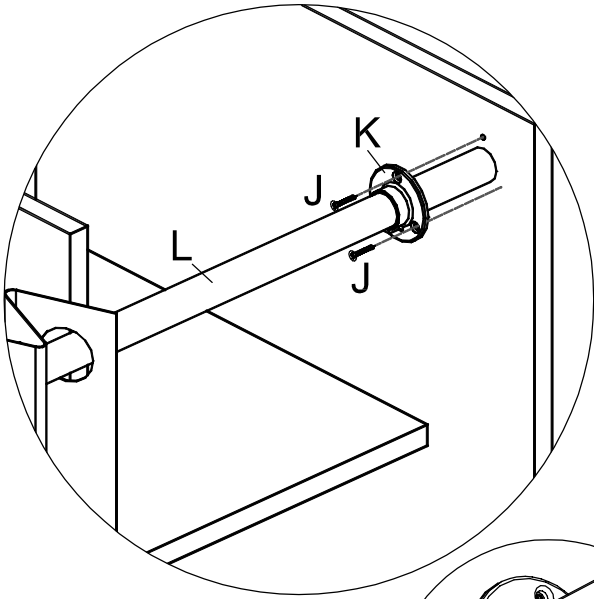
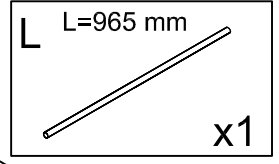
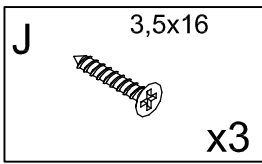
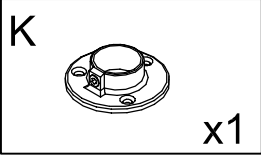
K
x1

J 3,5x16
x3

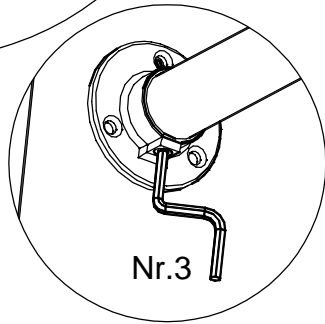
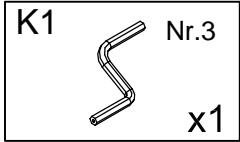
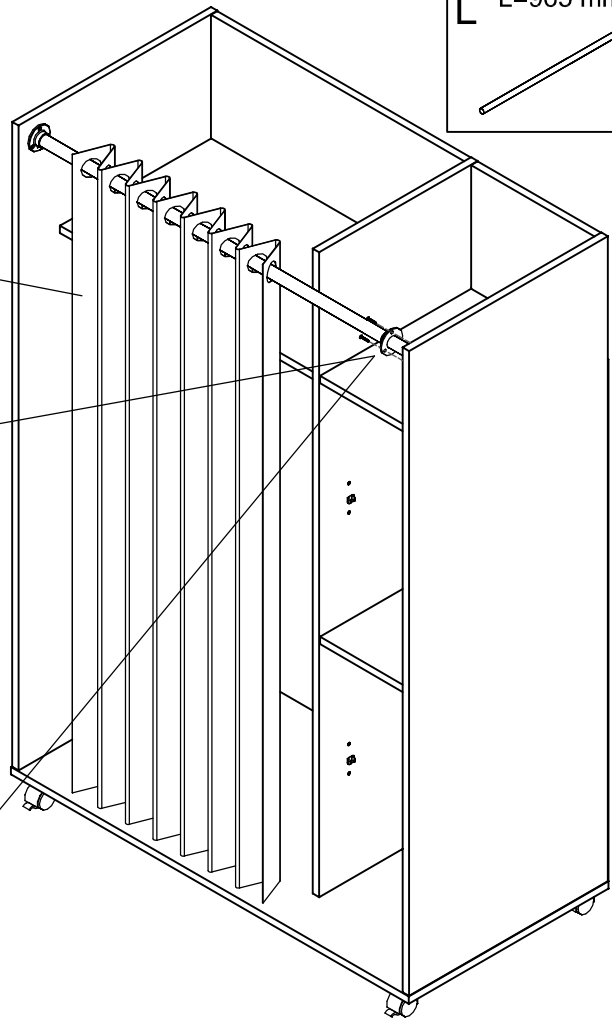
I L=630 mm
x1



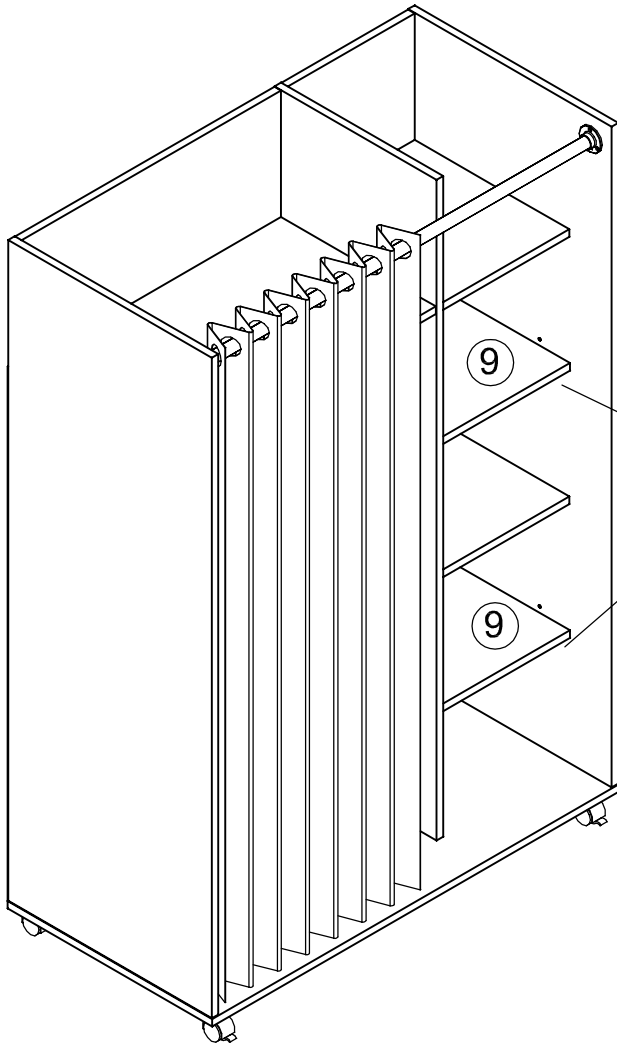
11



12



12



9

9

