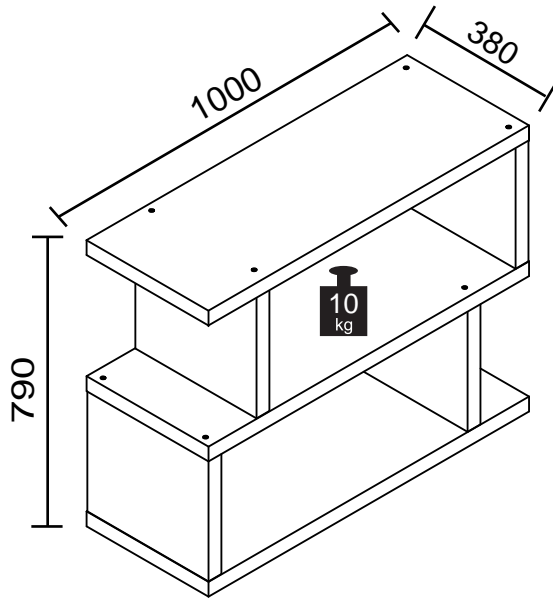
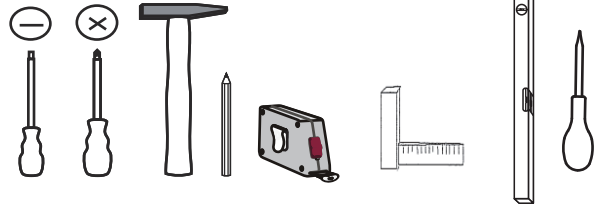
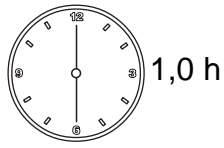
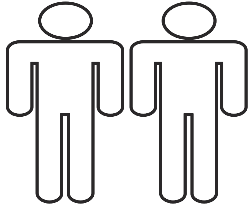
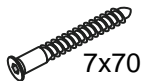


BC 3105 REGAL 1

35-733-...-9





7x70

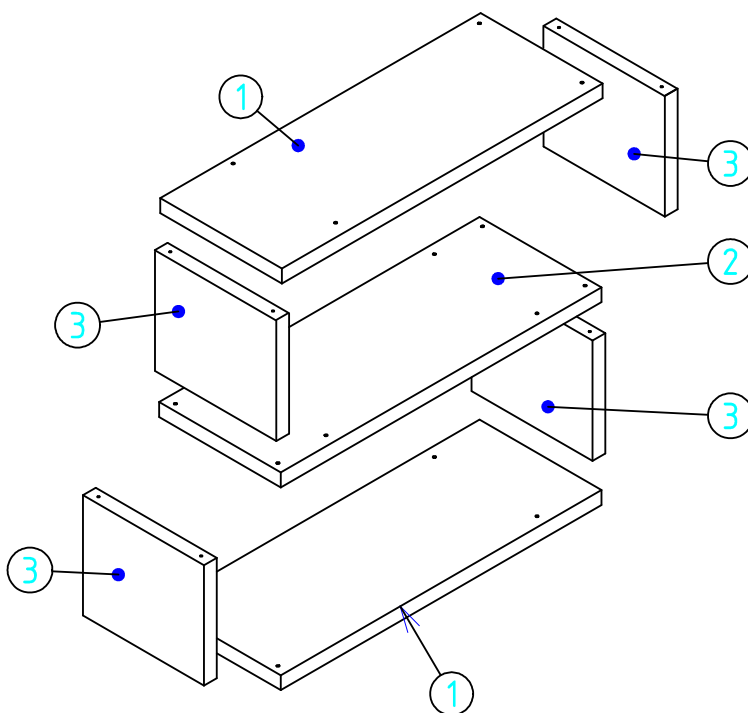
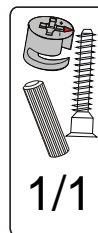


4x25

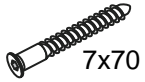



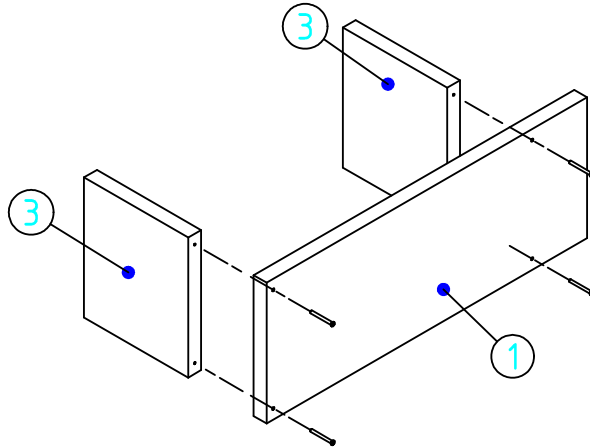
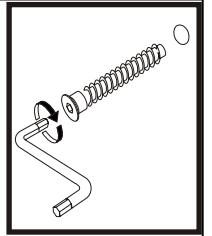
K	4	G	16	ZKD	8	B	1	H	4	F	1
---	---	---	----	-----	---	---	---	---	---	---	---

NR	L	W	T	COUNT	COLI
1	1000	380	40	2	1/1
2	1000	380	40	1	1/1
3	325	378	40	4	1/1






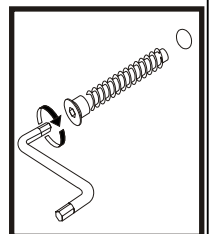
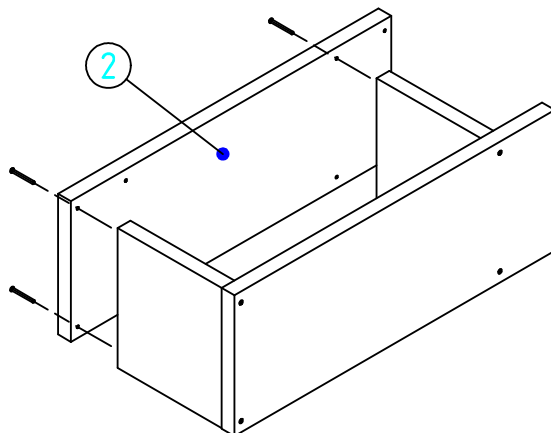
1

 7x70	
G 4	F 1

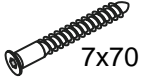



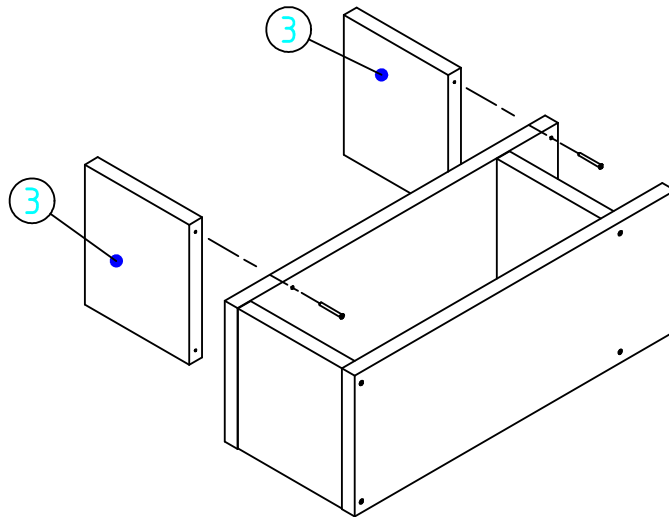
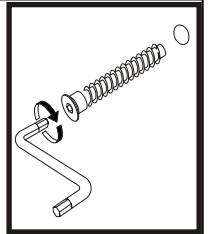
2

 7x70		
G 4	F 1	ZKD 4



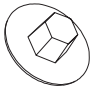


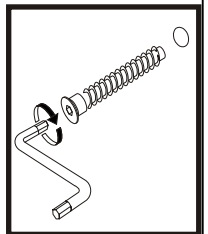
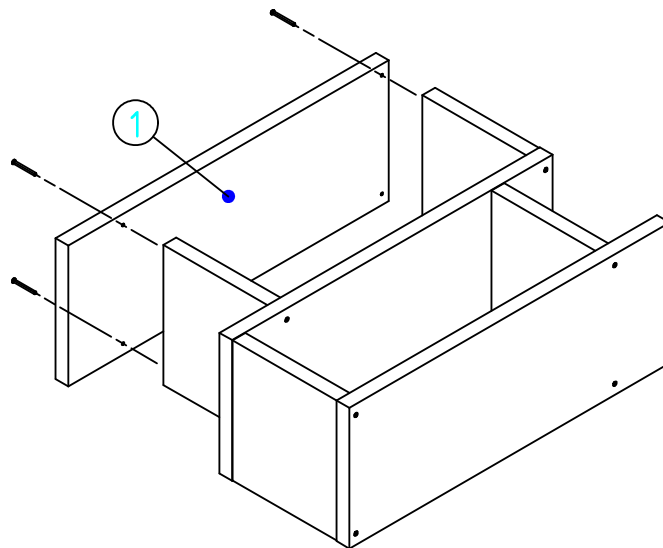
3

 7x70	
G 4	F 1

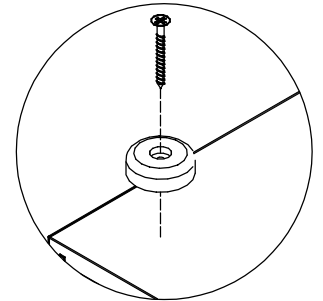
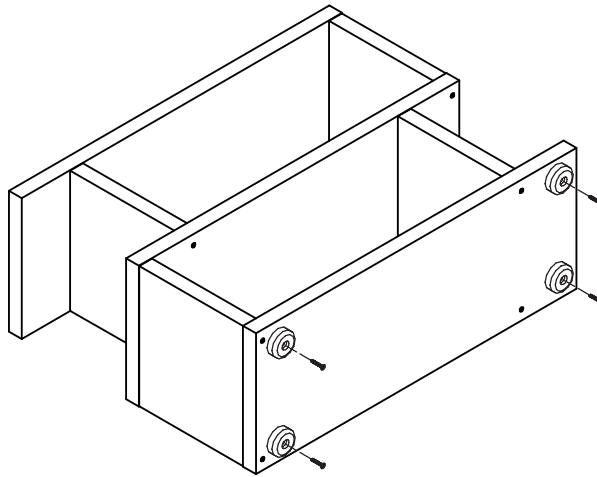
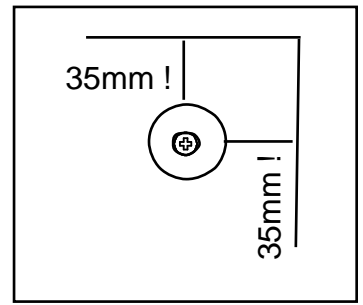
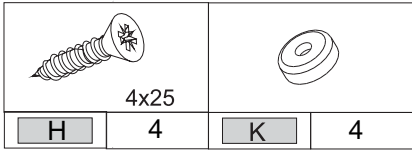


4

 7x70		
G 4	F 1	ZKD 4



5



6

